



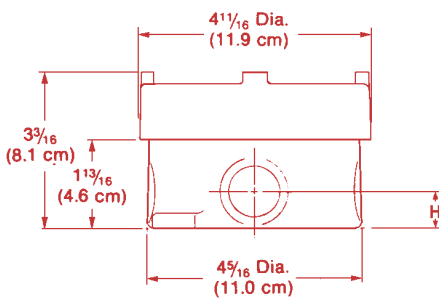
CSA Approved  
 Class I, Div. 1 and 2  
 Groups B, C, D;  
 Class I, Zone 1 and 2, IIB + H<sub>2</sub> T6,  
 Class II, Div. 1 and 2  
 Groups E, F, G;  
 Class III, Enclosure 3

## GRUE-100 Universal Junction Box: Explosion-Proof and Dust-Ignition-Proof

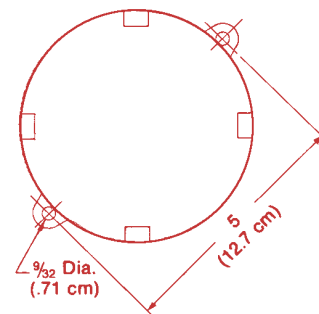
Unilets® for 1/2", 3/4" and 1" threaded metal conduit.‡

	Hub Size	Hub Configuration	Catalogue Number		
			Ferrous Alloy	Aluminum	
	<b>GRUE-100 Universal Junction Box</b> Furnished with internally threaded surface cover, five threaded hubs and three close-up plugs.				
	1/2	XB	GRUE-50	GRUE-50-A	
	3/4		GRUE-75	GRUE-75-A	
	1		GRUE-100	GRUE-100-A	
	<b>GRUE Sealing Cover</b> Sealing cover for GRUE-100 and GRUE-100N junction boxes listed above.				
	To order GRUE-100 and GRUE-100N complete with sealing cover add suffix <b>-SC</b> .			GRUC-SC-F	GRUC-SC

### GRUE-100/GRUE-100N Dimensions:



Hub Size	1/2	3/4	1
H	3/4 1.9cm	3/4 1.9cm	7/8 2.2cm



‡ To order GRUE Universal Junction Boxes for 1-1/4", 1-1/2" and 2", see next page.