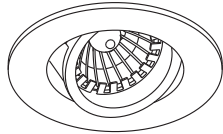
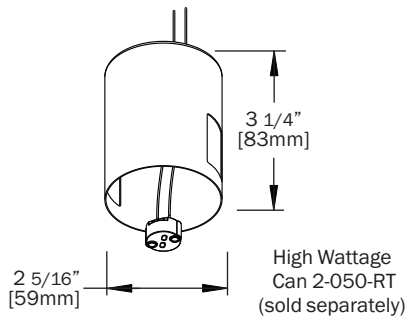
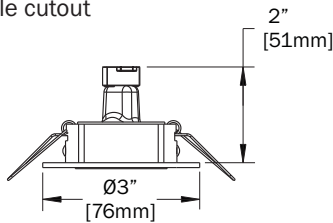


Data and specifications subject to change without notice

Project name	Type
Order number	
Date	



2 1/4" Round hole cutout



MINI TURNO

MR11 TRIM FOR REMOTE TRANSFORMERS

SPECIFICATIONS

The Mini Turno trim is designed for the MR11 low voltage halogen lamp and is to be used with remote transformers only.

NOTE: Trim designed for typical 5/8" drywall application, contact factory for various ceiling thickness.

- ◆ Made of die-cast aluminum
- ◆ Powder coated or plated finishes
- ◆ 20° of vertical adjustability
- ◆ Rated for 20W trim only (No Housing)
- ◆ Max 35W rating when using 2-050-RT High-watt can. High-watt can installed from below through trim cutout, trim clips secure can in place
- ◆ Some clearance required above trim, see install page for more details
- ◆ Lamp holder accepts 1 lens accessory
- ◆ Designed for non-cover glass MR11 lamp
- ◆ Clear glass lens included
- ◆ For non-insulated ceilings only, approved for air handling plenums
- ◆ The Mini Turno trim must be powered by a remote 12V Class 2 electronic transformer

Applications: Mini Turno trim can be used for niches, bulk heads and soffit applications.

ORDER GUIDE

HOUSING	TRIM	FINISH
No Housing (Max 20W) ¹ 2-050-RT (Max 35W) ²	2-220 Mini Turno	01 - White 02 - Chrome 04 - Black 05 - Matte Silver 06 - Bronze 09 - Gold 11 - Matte Nickel

Note:

- 1) "No Housing" indicates use with a remote Class 2 transformer, sold separately
- 2) 2-050-RT requires use of a remote Class 2 transformer, sold separately

*Spec sheets are subject to change without notice