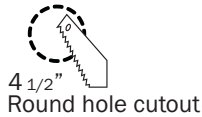
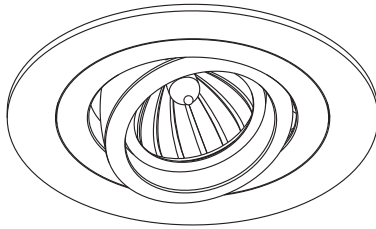


Data and specifications subject to change without notice

Project name	Type
Order number	
Date	



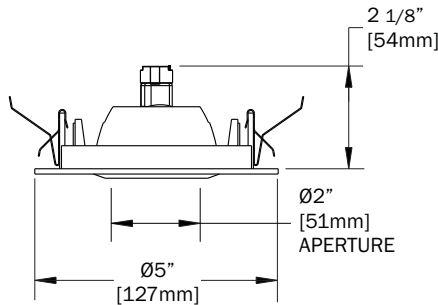
ECLIPSE

MR16 TRIM

SPECIFICATIONS

The Eclipse is a die cast aluminum trim designed to rotate 358° and adjust vertically up to 20°.

NOTE: Trim & Housing combination are designed for typical 5/8" drywall application, contact factory for various ceiling thickness.



- ◆ Made of die-cast aluminum
- ◆ Powder coated or plated finishes
- ◆ Designed for non-cover glass MR16 lamp
- ◆ Lamp holder accepts 1 lens accessory
- ◆ Clear glass lens included
- ◆ 50W or 75W maximum rating depending on the housing
- ◆ Optional matte black center lamp holder
- ◆ See metal halide trim spec sheet for MH options

Applications: Eclipse trim can be used for lobbies, conference rooms, corridors, hotels, restaurants, retail spaces, music halls, offices, and residential applications.

ORDER GUIDE

HOUSING	VOLTAGE	TRIM	FINISH	OPTION
No Housing (Max 20W) ¹	120	2-140 Eclipse	01 - White	Black Center
2-010-I/C (Max 50W)	277		02 - Chrome	
2-010-I/C-A/T (Max 50W)	347 ²		04 - Black	
2-010-I/C-TOR (Max 50W)			05 - Matte Silver	
2-010-I/C-A/T-TOR (Max 50W)			06 - Bronze	
2-012-I/C-TOR (Max 50W)			09 - Gold	
2-012-I/C-A/T-TOR (Max 50W)				
2-020-F (Max 50W)				
2-020-F-D/A (Max 50W)				
2-030-R (Max 50W)				
2-030-R-TOR (Max 50W) ²				
2-060-F (Max 75W)	Note: 1) "No Housing" indicates use with a remote Class 2 transformer Transformer and R12S socket sold separately 2) Consult factory for availability			
2-060-F-D/A (Max 75W)				
2-060-F-D/A-TOR (Max 75W)				
2-060-F-C/P (Max 75W)				
2-100-C/H (Max 75W)				

*Spec sheets are subject to change without notice