

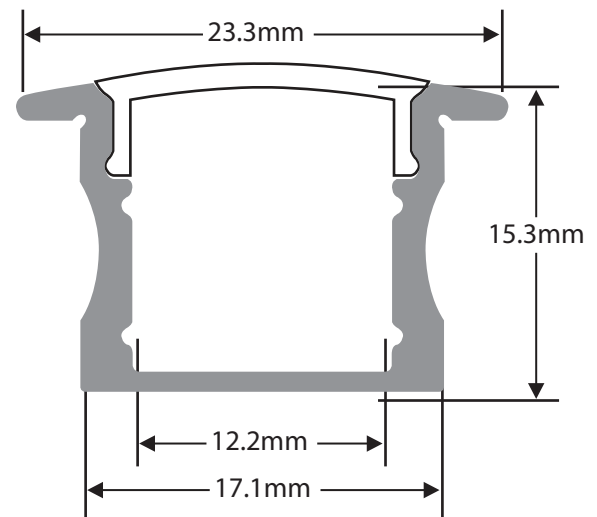


SLC-003R

DESCRIPTION

Recessed linear LED channel, anodized aluminum finish. Opal polycarbonate lens with grey end caps.

LENGTH Max. 8 Feet (2.44 Meters)



Technical specifications:

Dimension: 23.3mm x 15.3mm

Aluminum Channel: Anodized aluminum extrusion

Lens: Polycarbonate, high heat resistant, UV stable, shatter resistant

Length: 8 feet (2.44 meters)