

DIFFUSION

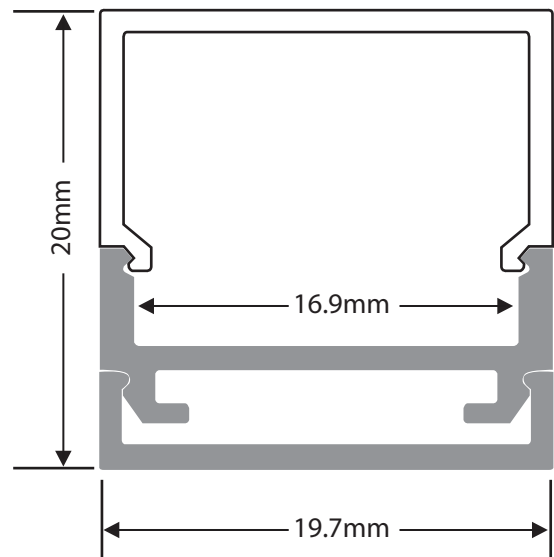
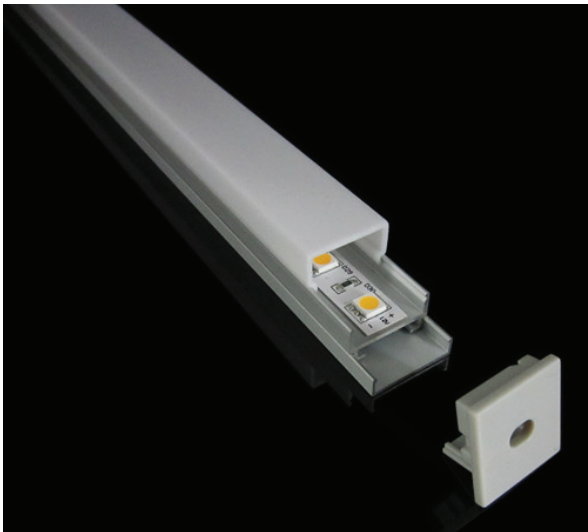
lighting

SLC-011S

DESCRIPTION

2 part linear LED channel, anodized aluminum finish.
Opal polycarbonate lens with grey end caps.

LENGTH Max. 8 Feet (2.44 Meters)



Technical specifications:

Dimension: 19.7mm x 20mm

Aluminum Channel: Anodized aluminum extrusion

Lens: Polycarbonate, high heat resistant, UV stable, shatter resistant

Length: 8 feet (2.44 meters)