

140
Series



SOCKET SCREW KEYS
CLES DE VIS CREUX



"Papco" Socket Screw Keys are made of close tolerance alloy steel. All Keys have chamfered ends for easy insertion. These Keys are available in Short and Long Arm Series. Short Arm Series supplied unless otherwise specified.

Order by Stock Number

Standard Package contains 12 Keys

Stock Numbers		Hex Width Across Flats	Length of Short Arm	Length of Longer Arm		FOR SCREW DIAMETER						
Short Arm	Long Arm			Short Series	Long Series	Socket Set	Socket Head Cap		Flat Head Cap Screws	Button Head Cap	Shoulder Screws	Pipe Plugs
				1960 Series	1936 Series							
140-101	140-201	1/16	9/16	1-3/4		#5, #6		#2	#4	#4		
140-102	140-202	5/64	39/64	1-7/8	3-3/16	#8	#2, #3	#3, #4	#5, #6	#6		
140-103	140-203	3/32	21/32	2	3-3/8	#10, #12	#4, #5	#5, #6	#8	#8		
140-104	140-204	7/64	11/16	2-1/8	3-1/2		#6					
140-105	140-205	1/8	3/4	2-1/4	3-3/4	1/4		#8	#10	#10		
140-106	140-206	9/64	13/16	2-3/8	3-7/8		#8					
140-107	140-207	5/32	27/32	2-1/2	4-1/8	5/16	#10	#10, #12	1/4	1/4	5/16	1/16
140-108	140-208	3/16	15/16	2-3/4	4-1/2	3/8	1/4	1/4	5/16	5/16	3/8	1/8
140-109	140-209	7/32	1-1/32	3	4-7/8	7/16		5/16	3/8	3/8		
140-110	140-210	1/4	1-1/8	3-1/4	5-1/4	1/2, 9/16	5/16		7/16		1/2	1/4
140-111	140-211	5/16	1-1/4	3-3/4	6	5/8	3/8	3/8, 7/16	1/2	1/2	5/8	3/8
140-112	140-212	3/8	1-3/8	4-1/4	6-3/4	3/4	7/16, 1/2	1/2, 9/16	5/8, 3/4	5/8	3/4	1/2

CARD No.
140-852
INCH

papco **SOCKET KEY SETS**
JEU DE CLES

Available in both INCH and METRIC types.
Each "Papco" Socket Key Set is individually carded.
Order by CARD NUMBER.

CARD No.
140-853
METRIC

- 7 popular size Alloy Steel Keys: .050, 1/16, 5/64, 3/32, 3/16.
- Fits Socket Set Screws: No.3 to 3/8" Dia. Socket Cap Screws: No.1 to 1/4" Dia.
- Each key folds into the sturdy steel frame — like a pocket knife blade.
- Can be used in any position.



Card No. 140-852

- 7 popular metric size Alloy Steel Keys: 1.27, 1.5, 2, 2.5, 3, 4, and 5 mm.
- Fits full range of "Papco" Metric Set Screws.
- Closes like a pocket knife when not in use.
- Can be used in any position.

Kit No. 020-858 Short Arm Keys

- Contains 7 Hexagon Alloy Steel Keys, Short Arm Series
- Hex. sizes: 5/64 • 3/32 • 1/8 • 5/32 • 3/16 • 7/32 • 1/4
- Transparent Plastic Case.
- Fit Socket Set Screws from No. 8 to 1/2" Diameter.
- Fit Socket Screws from No. 2 to 5/16" Diameter.
- A professional quality kit made from chrome alloy steel, heat treated to give the best combination of toughness and torsional strength.

(Five 020-858 kits in a master package.)



UTILITY ASSORTMENT No. 020-335

Contains 52 Keys, 9 sizes.

140 - 102 • 103 • 104 • 107
108 • 109 • 110 • 111 • 112

Packed in a sturdy fibreboard container with illustrated lid label.





SOCKET SET SCREW ASSORTMENTS ASSORTIMENTS VIS DE PRESSION

ASSORTMENT No. 020-855

- Contains 84 Socket Set Screws and 5 Hexagon Keys.
- 10 popular sizes of Set Screws:

8-32 x 3/16	10-24 x 3/16	1/4-20 x 1/4
8-32 x 1/4	10-24 x 1/4	1/4-20 x 3/8
5/16-18 x 5/16	3/8-16 x 3/8	
5/16-18 x 3/8	3/8-16 x 1/2	
- Transparent Styrene Plastic Container.
- Illustrated label shows size and retail prices.
- Refills available in standard packages.

This assortment is designed for Mechanics, Refrigerator, Oil-Burner and Appliance Servicemen. The re-usable container fits any Tool Kit.



Size: 7" x 4" x 1 1/2"



UTILITY ASSORTMENT No. 020-321

Contains 120 Socket Set Screws, 12 popular sizes:

- | | | |
|----------------|----------------|--------------|
| 8-32 x 3/16 | 10-24 x 3/16 | 1/4-20 x 1/4 |
| 8-32 x 1/4 | 10-24 x 1/4 | 1/4-20 x 3/8 |
| 1/4-28 x 1/4 | 5/16-18 x 5/16 | 3/8-16 x 3/8 |
| 5/16-24 x 5/16 | 5/16-18 x 3/8 | 3/8-16 x 1/2 |

Packed in a sturdy fibre board container with a separate compartment for each size. Lid label is illustrated and shows retail prices.

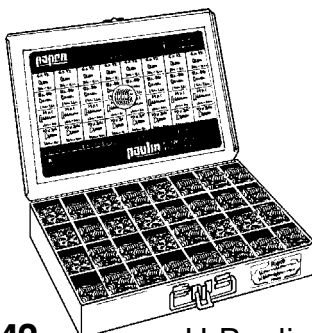


MASTER ASSORTMENT No. 020-629

Contains 166 Socket Set Screws in the following sizes:
(Quantities are adjusted according to popularity)

- | | | |
|--------------|----------------|----------------|
| 8-32 x 3/16 | 10-24 x 3/16 | 3/8-16 x 3/8 |
| 8-32 x 1/4 | 10-24 x 1/4 | 1/2-13 x 1/2 |
| 1/4-20 x 1/4 | 5/16-18 x 5/16 | 10-32 x 3/16 |
| 1/4-20 x 3/8 | 5/16-18 x 3/8 | 1/4-28 x 1/4 |
| 1/4-20 x 1/2 | 5/16-18 x 1/2 | 5/16-24 x 5/16 |

Packed in a rigid all metal lidded box with illustrated lid label showing retail prices. Assortment can be refilled from standard packages.



papeo SUPER SERVICE ASSORTMENT No. 020-803

Contains 240 Socket Set Screws — 32 sizes plus keys.
Large size, rigid metal box with high-strength plastic compartments.

For more details see page 9.

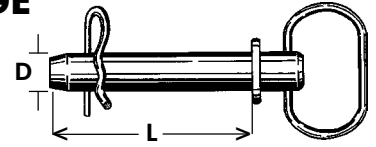
Large size: 12" w. x 18" l. x 3" d.

126
Series

papco HITCH PINS GOUPILLES D'ATTELAGE

HITCH PINS with CLIPS

Designed specifically for quick hitching or unhitching of all types of towed or mobile equipment. Made from high strength, zinc plated steel. Includes Hitch Pin Clip.



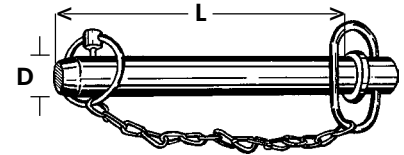
Order by Stock Number

Standard Package 5 Pieces

Stock No.	Size 'D' x 'L'	Usable Length	Stock No.	Size 'D' x 'L'	Usable Length
126-912	1/2 x 4-3/4	4	126-920	3/4 x 7	6-1/4
126-914	5/8 x 4-3/4	4	126-922	7/8 x 7-1/2	6-1/2
126-916	5/8 x 6-3/4	6	126-924	1" x 7-3/4	6-3/4
126-918	3/4 x 5	4-1/4			

papco HITCH PINS with CHAIN and LYNCH PINS GOUPILLES D'ATTELAGE avec CHAINE et CLAVETTES

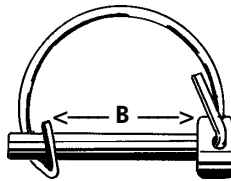
All the features of our standard Hitch Pins as described above plus the added protection of an attached 12" chain and lynch pin. All zinc plated steel.



Order by Stock Number

Standard Package 3 Pieces

Stock No.	Size 'D' x 'L'	Usable Length	Stock No.	Size 'D' x 'L'	Usable Length
126-812	1/2 x 4-3/4	4	126-820	3/4 x 7	6-1/4
126-814	5/8 x 4-3/4	4	126-822	7/8 x 7-1/2	6-1/2
126-816	5/8 x 6-3/4	6	126-824	1" x 7-3/4	7
126-818	3/4 x 5	4-1/4			

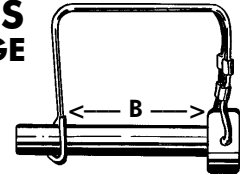


papco WIRE LOCK PINS GOUPILLES DE VERROUILLAGE

126-900
126-901

WIRE LOCK PINS

126-902
126-906



For farm, campers, trucks, boats, trailers, snowmobiles and garden equipment etc. Fits all PTO knuckles and most adaptors. Oil tempered spring remains securely snap-locked.

Order by Stock Number

Standard Package 15 Pieces

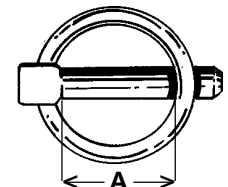
Stock No.	Size	Usable Length 'B'	Stock No.	Size	Usable Length 'B'
126-900	1/4 x 3	2-3/4	126-902	5/16 x 2-3/4	2-1/2
126-901	5/16 x 2	1-3/4	126-906	3/8 x 2	1-3/4

126
Series

papco LYNCH PINS CLAVETTES D'ESSIEU

LYNCH PINS Also known as 'Quick-Pins'

'Papco' Lynch Pins are heat treated to withstand wear. Spring steel snap ring assembled mechanically to eliminate stretching and loss of tension. Zinc plated to resist rust.



Order by Stock Number

Standard Package 15 Pieces

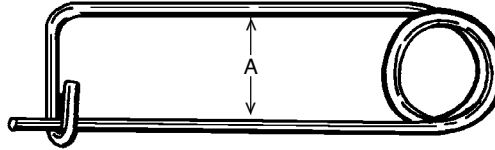
Stock No.	Pin Size	'A' Grip Length	Stock No.	Pin Size	'A' Grip Length
126-980	3/16 x 1-9/16	1-1/4	126-984	5/16 x 1-9/16	1-1/4
126-982	1/4 x 1-9/16	1-1/4	126-986	7/16 x 1-9/16	1-11/32

For Hitch Pin Clips, Rapid Repair Washers, Cotter Pins, Clevis Pins and Clevis Yokes see index for pages on these items.

126
Series

papco® SAFETY PINS
EPINGLE SURETE

'Papco' Safety Pins are made from hard drawn plated spring wire and afford positive locking action for retaining Clevis and other types of pins. Used on farm equipment, industrial applications, trucks etc. wherever safety is an issue.



Order by Stock Number

Standard Package 10 Pins

Stock No.	Inside Clearance 'A'	Overall Length	Usable Length	Stock No.	Inside Clearance 'A'	Overall Length	Usable Length
126-932	3/8	1-3/4	1-1/16	126-936	13/16	4-3/8	2-13/16
126-934	5/8	2-3/4	1-11/16	126-938	1-1/8	5-3/4	3-3/4

126
Series

papco® ROOFING/SIDING SCREWS
VIS DE TOITURE

'SELF SEALING'

INDENTED HEX WASHER HEAD WITH WEATHERSEALING WASHER

Specially designed screws for attaching metal siding or roofing. Features a neoprene weathersealing washer under the head of screws. High-carbon, zinc plated steel. Also available with painted heads in white, bone, brown and red. Price on application.



Order by Stock Number

Standard Package 100 Screws

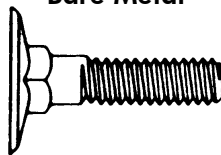
Stock No.	Size	Hex Head Across Flats	Stock No.	Size	Hex Head Across Flats
126-950	10 x 1	1/4	126-963	14 x 1-1/4	3/8
126-952	10 x 1-1/2	1/4	126-964	14 x 1-1/2	3/8
126-954	10 x 2	1/4	126-966	14 x 2	3/8
126-962	14 x 1	3/8			

papco® ELEVATOR BOLTS
BOULONS D'ELEVATEUR

Bare Metal

125
Series

UNC
Coarse
Thread



Stress
Relieved

These flat countersunk head square neck Elevator Bolts have large diameter flush heads. Used on elevator buckets and industrial belting where low head clearance is needed. Also used extensively in truck and trailer applications for walls, floors, racks and trailer doors.

Order by Stock Number

Standard Package Contains 100 Bolts

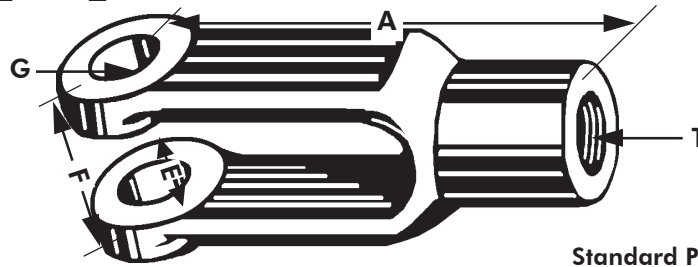
Stock No.	Size	Stock No.	Size	Stock No.	Size
125-307	1/4 x 3/4	125-442	5/16 x 3/4		
125-309	1	125-444	1		
125-311	1-1/4	125-446	1-1/4	125-491	3/8 x 1-1/4
125-313	1-1/2	125-448	1-1/2	125-493	1-1/2
125-316	2	125-451	2	125-496	2
Head Dia.	1"	1-3/16"		1-5/16"	

Length measured overall.

255
Series

papeo® CLEVIS YOKES
JOUGS DE CHAPE

DROP
FORGED
U N F
FINE THREAD



5 Sizes will
service all Cars
and Trucks.

Order by Stock Number

Standard Package 6 assemblies.

Stock No.	Size Chart					Used with S.A.E. Standard Pins	
	G	A	T	E	F	Clevis Pins	Cotter Pins
255-026	1/4	2	1/4	9/32	5/8	255-224	1/16 x 1/2
255-027	5/16	2-1/4	5/16	11/32	3/4	255-226	3/32 x 1/2
255-028	3/8	2-1/2	3/8	7/16	7/8	255-236	3/32 x 3/4
255-029	7/16	2-7/8	7/16	1/2	1	255-241	3/32 x 1
255-030	1/2	3	1/2	9/16	1	255-245	1/8 x 1

"Papco" CLEVIS YOKES are supplied in five sizes to service all popular cars and trucks. A Yoke Assembly includes the Yoke, Clevis Pin and Cotter Pin. Standard Package consists of 6 Clevis Yoke Assemblies.

255
Series

papeo® UNIVERSAL CLEVIS PINS
GOUPILES JOUG UNIVERSEL



Each diameter has multiple cotter pin holes to provide wide range of grip lengths. Reduces the number of pins required for emergency coverage for cars, trucks and farm implements.
Standard Package 6 pins.

UTILITY ASSORTMENT
No. 020-329

Contains 24 Universal Clevis Pins in 6 popular sizes.
Packed in a sturdy fibre-board container.

Stock No.	Dia. x Length	Stock No.	Dia. x Length
255-044	1/4 x 2	255-084	1/2 x 2
255-054	5/16 x 2	255-086	1/2 x 3
255-064	3/8 x 2	255-106	5/8 x 3
255-074	7/16 x 2	255-126	3/4 x 3
255-076	1/2 x 3		



UNIVERSAL CLEVIS PINS
GARAGE ASSORTMENT No. 020-061

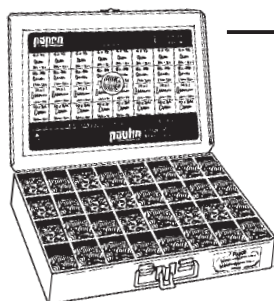
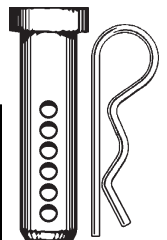
Contains 5 each of 255-044, 054, 064 Universal Clevis Pins. Each size in an individual compartment in a rigid plastic box.

papeo® UNIVERSAL CLEVIS PINS
GOUPILES JOUG UNIVERSEL

Convenient skin-packed card contains one Universal Clevis Pin and one Hitch Pin Clip.
Order by Stock Number



Card No.	Size	Hitch Pin Clip	Card No.	Size	Hitch Pin Clip
255-171	1/4 x 2	255-303	255-179	1/2 x 2	255-303
255-173	5/16 x 2	255-303	255-180	1/2 x 3	255-303
255-175	3/8 x 2	255-307	255-182	5/8 x 3	255-307
255-177	7/16 x 2	255-311	255-185	3/4 x 3	255-311
255-178	7/16 x 3	255-311			



papeo SUPER SERVICE ASSORTMENT No. 020-816

Contains 173 Standard and Universal Clevis Pins and Clips — 40 items.
Large size, rigid metal box with high-strength plastic compartments.

For more details see page 9.

Large size: 12" w. x 18" l. x 3" d.

255
Series

papco® **CLEVIS PINS**
GOUPILES JOUG



Lengths shown are from under head to end of pin.

Order by Stock Number

Standard Package 25 pieces

Stock No.	Dia. x Length	Stock No.	Dia. x Length	Stock No.	Dia. x Length	Stock No.	Dia. x Length
255-221	3/16 x 5/8	255-228	5/16 x 1-1/4	* 255-236	3/8 x 1-3/32	255-244	7/16 x 1-3/4
* 255-224	1/4 x 51/64	255-208	5/16 x 1-1/2	255-237	3/8 x 1-1/4	255-251	1/2 x 1-1/4
255-225	1/4 x 1	255-230	5/16 x 1-9/16	255-238	3/8 x 1-3/8	* 255-245	1/2 x 1-27/64
255-203	5/16 x 3/4	255-231	5/16 x 1-3/4	255-239	3/8 x 1-1/2	255-246	1/2 x 1-1/2
* 255-226	5/16 x 31/32	255-213	3/8 x 7/8	* 255-241	7/16 x 1-15/64	255-248	1/2 x 2
255-205	5/16 x 1-1/8	255-235	3/8 x 1	255-242	7/16 x 1-1/2		

* Used with S.A.E. Standard Clevis Yokes.



CLEVIS PIN
MASTER ASSORTMENT No. 020-641

This well-balanced assortment is packed in a sturdy, welded, metal box with moulded plastic compartments.

Each size of clevis pin is an individual compartment.

Complete specifications are shown on the grease-resistant lid label.

CLEVIS PINS
GARAGE ASSORTMENT
No. 020-062

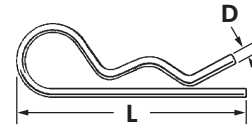
Contains 41 Clevis Pins,
all popular sizes.



255
Series

papco® **HITCH PIN CLIPS**
AGRAFES POUR GOUIPILLE D'ATTELAGE

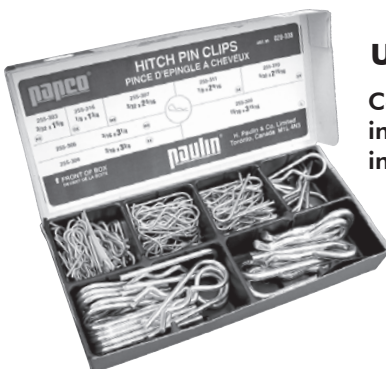
'Papco' Hitch Pin Clips are made of oil-tempered spring steel wire and are bright plated. Used on agricultural implements, lawn mowers, snowmobiles, construction and automotive equipment.



Order by Stock Number

Standard Package 25 pieces

Stock No.	Nom. Wire Diameter	Overall Length	Fit Shaft Diameters		I.D. of Eye
			Minimum	Maximum	
255-326	1/32	7/16	7/64	9/64	5/16
255-321	3/64	5/8	1/8	3/16	1/8
255-325	5/64	1-3/32	5/16	3/8	9/64
255-313	3/32	1-3/16	1/4	3/8	1/4
255-303	3/32	1-5/8	1/4	1/2	5/16
255-307	3/32	2-5/16	1/4	5/8	5/8
255-314	3/32	2-1/2	3/8	3/4	7/16
255-316	1/8	1-3/4	1/2	3/4	7/16
255-311	1/8	2-9/16	7/16	3/4	7/16
255-309	5/32	3-5/16	3/4	1-1/8	3/4
255-310	5/32	2-15/16	5/8	1"	3/4
255-306	3/16	3-1/4	5/8	1"	7/8
255-308	3/16	3-3/4	7/8	1-1/4	7/8
255-319	1/4	4-3/8	1"	1-1/2	3/4
255-320	5/16	3-15/16	1"	1-1/2	7/8



HITCH PIN CLIP
UTILITY ASSORTMENT No. 020-338

Contains 105 Hitch Pin Clips, 8 sizes. Packed in a sturdy, fibre-board container with individual compartments.

HITCH PIN CLIP
FARAGE ASSORTMENT No. 020-073

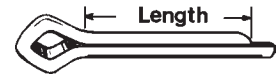
Contains 40 Hitch Pin Clips, 6 sizes. Packed in a clear plastic box.



165
C's
Hundreds

165
M's
Thousands

papco COTTER PINS
GOUPILES



BRIGHT ELECTRO-PLATED WITH CHROMATE FINISH

'Papco' Steel Cotter Pins are made in the extended prong style for easy insertion and locking. The length is measured under the head to the end of the shortest leg. Packaging is in Standard Packages of 100 pieces and in Packages of 1000* where indicated. All Cotter Pins are Bright Plated.

Order by Stock Number

Packages of 100 add prefix 165.

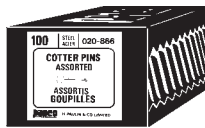
Packages of 1,000 add prefix 166.

Example of Stock Number 165-148 is 1/8 x 2 Steel Cotter Pins Plated in packages of 100.

Diameter	1/32	3/64	1/16	5/64	3/32	7/64	1/8	5/32	3/16	1/4	5/16	3/8
Length												
1/2	-019	-030	-043		-087		-137					
3/4		-032	-045*	-065	-089*		-139*					
1			-047*	-067	-091*	-115	-141*	-167*	-193*			
1-1/4			-049		-093		-143	-169	-195			
1-1/2			-051*		-095*	-119	-145*	-171*	-197*	-313*	-448*	
1-3/4			-053		-097		-147	-173				
2			-054		-098		-148*	-174*	-200*	-316*	-451*	-496
2-1/2					-100		-150	-176	-202	-318*	-453*	-498
3							-152	-178	-204	-320*	-455*	-500
3-1/2										-322	-457	-502
4										-324	-459	-504

COTTER PIN ASSORTMENT – No. 020-866

This Assortment consists of approximately 100 Cotter Pins in 1/16", 3/32", and 1/8" Diameters, and from 1/2" to 1-1/4" in lengths. Standard Package contains 24 individual assortments. All Bright Plated.



GARAGE ASSORTMENT – No. 020-033

Contains 340 Cotter Pins, seven sizes from 1/16" x 3/4" to 5/32" x 2". Packed in handy, clear plastic container. All Bright Plated.



UTILITY ASSORTMENT – No. 020-313

This Assortment of 1,000 Cotter Pins, in 10 popular sizes packed in individual compartments. Container is sturdy fibreboard with a hinged lid. All Bright Plated.

UTILITY ASSORTMENT – No. 020-343

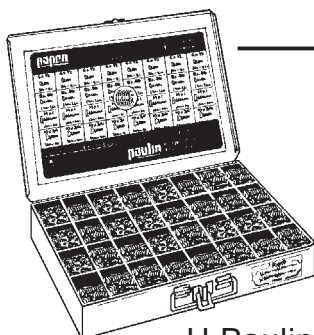
This assortment contains 195 Large Size Cotter Pins - 9 sizes from 5/32" x 2" to 3/8" x 3". Packed in a sturdy fibreboard container each size in an individual compartment. Useful for Agricultural and Construction Equipment. All Bright Plated.



MASTER ASSORTMENT – No. 020-618

Contains 1230 Plated Cotter Pins, 20 sizes from 1/16" x 1/2" x 3/16" x 2". Packed in a metal, lidded box with moulded plastic compartments. Retail codes shown on lid label.

Size: 9-3/4" w.
x 13-3/4" l.
x 2" d.



papco SUPER SERVICE ASSORTMENT No. 020-805

Contains 3345 Plated Cotter Pins and Throttle Rod Retainers - 32 items. Large size, rigid metal box with high-strength plastic compartments.

For more details see page 9.

Large size: 12" w. x 18" l. x 3" d.

167
Series

papco® 'HAMMER-LOCK' COTTER PINS
GOUPILLES 'HAMMER-LOCK'



BRIGHT ELECTRO-PLATED



These Cotter Pins spread automatically when hit with a hammer. The shorter shank rides over the up-turned point of the longer and locks rigidly. Twisting with a screwdriver returns pin to its original position. May also be used as standard cotter pins if desired.

Order by Stock Number

Standard Package 100 Pieces

Stock No.	Size Dia. x Length	Stock No.	Size Dia. x Length	Stock No.	Size Dia. x Length
167-045	1/16 x 3/4	167-091	3/32 x 1	167-148	1/8 x 2
167-047	1/16 x 1	167-095	3/32 x 1-1/2	167-171	5/32 x 1-1/2
167-051	1/16 x 1-1/2	167-141	1/8 x 1	167-174	5/32 x 2
167-089	3/32 x 3/4	167-145	1/8 x 1-1/2		

papco® **HAMMER-LOCK**
COTTER PIN ASSORTMENT

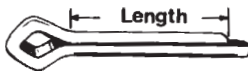
UTILITY ASSORTMENT No. 020-314

Contains 800 Cotter Pins in the 10 popular sizes listed above. Each size is in an individual compartment in the sturdy fibreboard container. All Bright Plated.



168
Series

papco® **BRASS COTTER PINS**
GOUPILLES LAITON



'Papco' BRASS Cotter Pins are used for marine applications, electrical and carburetor work.

Order by Stock Number

Standard Package 100 Pins

Stock No.	Size Dia. x Length	Stock No.	Size Dia. x Length
168-106	3/64 x 3/8	168-316	3/32 x 1
168-212	1/16 x 3/4	168-324	3/32 x 1-1/2
168-216	1/16 x 1	168-416	1/8 x 1
168-224	1/16 x 1-1/2	168-424	1/8 x 1-1/2
168-312	3/32 x 3/4	168-432	1/8 x 2

UTILITY ASSORTMENT No. 020-322

This assortment contains 500 Brass Cotter Pins, 50 each of 10 Stock Sizes. packed in individual compartments in sturdy metal-edge fibre board box.



141
Series

papco® **UNI-RODS**®
FULLY THREADED STEEL RODS

Continuous
Coarse Thread



Threaded
Full Length

These continuous threaded rods are made of cold drawn steel and are Zinc Plated or Bare Metal. Can be bent to shape without heating. Very useful in machine shops, garages, and for general maintenance. Used to make eye bolts, stud bolts, anchor bolts and for suspending equipment from ceilings, mountings on walls, etc. Just cut to length and use.

Order by Stock Number Tensile strength up to 5/8": 64,000 p.s.i. (min) 3/4" up: 55,000 p.s.i.(min)

Length	Inch Sizes							Metric Sizes				
	36"		12"		Std. Pkg.	36"		Std. Pkg.	Length	1 metre	300mm	Std. Pkg.
	Plated	Bare	Plated	Bare		Dia.	Plated		Bare	Dia.	Plated	
1/4-20	141-314	141-354	141-204	25	5/8-11	141-324	141-364	5	M6	141-706	141-606	10
5/16-18	141-316	141-356	141-206	20	3/4-10	141-326	141-366	5	M8	141-708	141-608	10
3/8-16	141-318	141-358	141-208	15	7/8-9	141-328	141-368	3	M10	141-710	141-610	10
7/16-14	141-320	141-360	—	10	1"-8	141-330	141-370	3	M12	141-712	141-612	5
1/2-13	141-322	141-362	141-212	10								

Threaded Rods from 1/4-20 to 1-8 available in 6, 10 and 12 foot lengths.

For Stainless Steel Threaded Rods see page 164.

papcolloy B7 HIGH STRENGTH UNI-RODS®

B7 Alloy Rod

Gold Zinc Dichromate Plated

High strength continuous threaded rod to ASTM A-193 B7 Specification. Heat treated. Chrome-moly steel, tensile strength exceeds 125,000 p.s.i. Used for vehicles, construction, mining, chemical and petroleum equipment. Temperature service range from -150°F to +850°F. UNC coarse thread or UNF fine thread.

UNC Stock	UNF Stock	Size	Std. Pkg.	UNC Stock	UNF Stock	Size	Std. Pkg.	UNC Stock	UNF Stock	Size	Std. Pkg.
141-550	141-570	1/4 x 36	5	141-553	141-573	7/16 x 36	2	141-557	141-577	3/4 x 36	2
141-551	141-571	5/16 x 36	4	141-554	141-574	1/2 x 36	2	141-558	141-578	7/8 x 36	1
141-552	141-572	3/8 x 36	3	141-556	141-576	5/8 x 36	2	141-559	141-579	1" x 36	1



papco® **HEX COUPLING NUTS**

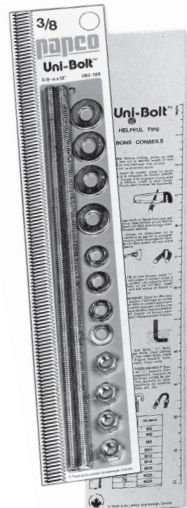
Plated Hexagon Steel Nuts for joining or adjusting Threaded Rods

Stock No.	Dia.	Dimensions	Std. Pkg.	Stock No.	Dia.	Dimensions	Std. Pkg.
141-914	1/4-20	7/16 x 7/8	50	141-924	5/8-11	15/16 x 2-1/8	15
141-916	5/16-18	1/2 x 1-3/4	25	141-926	3/4-10	1-1/8 x 2-1/4	15
141-918	3/8-16	9/16 x 1-3/4	25	141-928	7/8-9	1-1/4 x 2-1/2	10
141-920	7/16-14	5/8 x 1-3/4	25	141-930	1"-8	1-1/4 x 2-1/2	10
141-922	1/2-13	3/4 x 1-3/4	25	Dimensions: width across flats x length			

papco® **UNI-BOLT**® KITS

FULLY THREADED STEEL RODS, NUTS, WASHERS

Full threaded 'UNI-BOLTS' can be cut and shaped to make any length or style of bolt. Each kit contains plated parts for two complete bolts - lock washers, flat washers and hex nuts. Available in four coarse thread inch diameters and four metric diameters 12 inches (300mm) long.



Card No.	Size	Card No.	Size
141-104	1/4-20 x 12"	141-154	M6 x 300mm
141-114	5/16-18 x 12"	141-164	M8 x 300mm
141-124	3/8-16 x 12"	141-174	M10 x 300mm
141-134	1/2-13 x 12"	141-184	M12 x 300mm



STEEL CENTRE
MERCHANDISER No. 022-008

CENTRE DE L'ACIER
PRÉSENTOIR N^o. 022-008

**BASIC STOCK FOR AUTOMOTIVE,
 INDUSTRIAL, FARM AND HARDWARE**

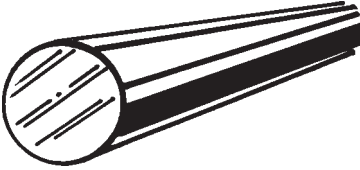
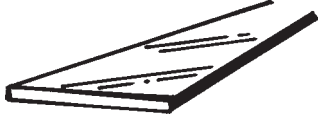
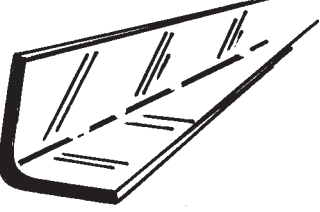
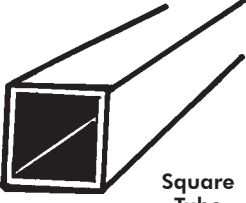
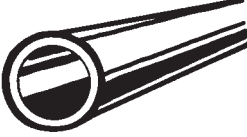
This sturdy merchandiser holds 16 sizes of bare metal construction grade steel. Contains the right selection of flats, round and angles needed in daily repairs. Steel can be cut, bent, drilled and welded as required. All items handy 36" length.



- Wide range of steel for general repairs.
- Sturdy, all-metal floor stand.
- Retail price labelled.
- Can hold parts bins for fasteners, etc.
- Size 24-1/2" w. x 13-1/2" d. x 24" h.
- Shipping weight with stock 100 pounds.
- Contains 52 steel shapes - one standard package of each size.

Merchandiser No. 022-008
 (For empty Steel Centre Floor
 Stand order No. 022-014)

BARE METAL STEEL and ALUMINUM RODS and SHAPES

Stock No.	Size	Std. Pkg.	Wt. Ea.*	Part No.	Size	Std. Pkg.	Wt. Ea.*	Stock No.	Size	Std. Pkg.	Wt. Ea.*	Part No.	Size	Std. Pkg.	Wt. Ea.*
36" LONG								36" LONG							
															
STEEL ROUNDS				ALUMINUM ROUNDS				STEEL FLATS				ALUMINUM FLATS			
142-004	1/4 dia.	5	.5	142-808	3/8 dia.	5	.4	142-040	1/8x3/4	3	1.0	142-640	1/8x3/4	3	0.3
142-006	5/16 dia.	5	.8	142-812	1/2 dia.	5	.7	142-042	1/8x1	3	1.2	142-642	1/8x1	3	0.4
142-008	3/8 dia.	5	1.1	142-814	5/8 dia.	3	1.1	142-044	1/8x1-1/4	3	1.6	142-646	1/8x1-1/2	3	0.6
142-012	1/2 dia.	5	2.0					142-046	1/8x1-1/2	3	2.0	142-648	1/8x2	3	0.9
36" LONG								36" LONG							
								 							
STEEL ANGLES				ALUMINUM ANGLES				STEEL TUBING				ALUMINUM TUBING			
142-100	1/8x3/4	3	1.8	142-700	1/8x3/4	3	.6	142-302	3/4 Sq.	2	1.7	142-430	3/4 Sq.	3	0.5
142-102	1/8x1	3	2.4	142-702	1/8x1	3	.8	142-304	1" Sq.	2	3.9	142-432	1" Sq.	3	0.6
142-104	1/8x1-1/4	3	3.0	142-706	1/8x1-1/2	3	1.2	142-402	3/4 Rd.	2	1.3	142-338	3/4 Rd.	3	0.4
142-106	1/8x1-1/2	3	3.7	142-708	1/8x2	3	1.6	142-404	1" Rd.	2	3.1	142-340	1" Rd.	3	0.5

Included in Steel Centre Merchandiser No. 022-008 Note: 3/4 Steel Tubing wall = .065, 1" = .100 * lbs.
 3/4 and 1" Aluminum Tubing wall = .050



METAL CENTRE PLUS
MERCHANDISER No. 022-007

CENTRE DU MÉTAL PLUS
PRÉSENTOIR No. 022-007



MASTER STOCK OF CONSTRUCTION GRADE STEEL FOR AUTOMOTIVE, INDUSTRIAL, FARM, HARDWARE AND HOME

Cold rolled steel sheets, galvanized steel, aluminum sheets and expanded metal.

Contains the right selection of flats, rounds and angles (see Merchandiser No. 022-008), plus sheets needed in daily repairs (see below).

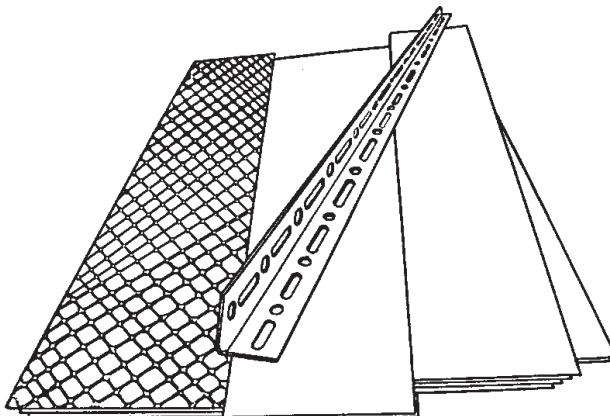
Can be cut, bent, formed, drilled and welded as required.

- Wide range of metal for general repairs.
- Sturdy all-metal floor stand.
- Retail price labelled.
- Can hold parts bins for related fasteners.
- New graphic label channel and protector guard bar - a safe retail unit.
- Shipping weight with stock 125 pounds.
- Contains 55 Steel shapes - one package of each size PLUS 12 metal sheets.

Size: 24-1/2" w. x 13-1/2" d. x 24" h.



SHEET STEEL
FEUILLES DE TÔLE



Part No.	Size	Description	Std. Pkg.	Wt. lbs.
142-524	8" x 24"	22ga. C.R. Steel Sheet	2	1.7
142-528	12" x 24"	22ga. C.R. Steel Sheet	2	2.5
142-495	12" x 24"	26ga. Galvanized Sheet	2	1.8
142-551	12" x 24"	.025 Aluminum Sheet	2	0.7
142-558	12" x 24"	1/2" Expanded Metal	2	2.9
142-568	12" x 24"	3/4" Expanded Metal	2	1.7
142-200*	1-1/2" x 36"	.074 Slotted Angles	3	2.1
142-202	1-1/2" x 48"	.074 Slotted Angles - Galv.	3	4.8
142-204	1-1/2" x 72"	.074 Slotted Angles - Galv.	3	7.8
142-220	1-3/8" x 36"	.074 Slotted Flats - Galv.	3	2.4
142-222	1-3/8" x 48"	.074 Slotted Flats - Galv.	3	3.6

WARNING: DO NOT Weld Galvanized metal as toxic fumes may be present.

C.R. = Cold Rolled