

## D2 Series Relay



## D2PR/D2PF Series

## Product Description

The D2 Series is a compact line of relays with quick response time and long life. Available in DPDT, 4PDT and DPDT latching configurations.

## Features

**D2PR**


- Ultra-high sensitivity relay with quick response
- High reliability, long life
- Panel, DIN rail and flange mounting
- Small size

## Contents

<b>Description</b>	<b>Page</b>
D1PR/D1PF Series . . . . .	T40-46
D2PR/D2PF Series	
Catalogue Number Selection . . . . .	T40-52
Product Selection . . . . .	T40-52
Accessories . . . . .	T40-54
Technical Data and Specifications . . . . .	T40-55
Wiring Diagrams . . . . .	T40-56
Dimensions . . . . .	T40-57
D3PR/D3PF Series . . . . .	T40-61
D4 Series . . . . .	T40-71
D5PR/D5PF Series . . . . .	T40-75
D7PR/D7PF Series . . . . .	T40-85
D8 Series . . . . .	T40-100
D9 Series . . . . .	T40-106
Accessories . . . . .	T40-110

## Standards and Certifications



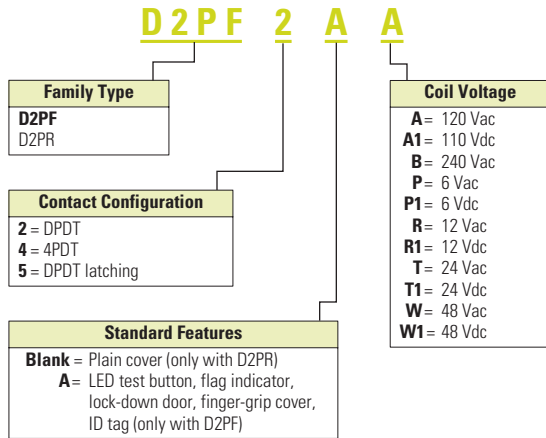
 When used with accompanying Eaton screw terminal socket.

**D2PF**

- Flag indicator shows relay status in manual or powered condition
- Bipolar LED status lamp allows for reverse polarity applications
  - Shows coil ON or OFF status
  - Ideal in low light conditions
- Colour-coded pushbutton identifies AC coils with red or DC coils with blue pushbuttons
  - Allows for manual operation of relay without the need for coil power
  - Ideal for field service personnel to test control circuits
- Lock-down door, when activated, holds pushbutton and contacts in the operate position
  - Excellent for analyzing circuit problems
- Finger-grip cover allows operator to remove relays from sockets more easily than conventional relays
- White plastic ID tag/write label used for identification of relays in multi-relay circuits

#### Catalogue Number Selection

##### D2PF/D2PR ①



#### Product Selection

##### D2PF/D2PR Relay/Socket Quick Reference

Relay Type	Socket	Clip	Module Type	ID Tag	Jumper
D2PR2, D2PF2	D2PAL	PWC-D24	B	PWF-D2P	D2PJ1
		PQC-1782	—	—	—
	D2PA6	PQC-1342	None	—	—
D2PR4, D2PF4	D2PAP	PWC-D24	B	PWF-D2P	D2PJ1
		PQC-1782	—	—	—
	D2PA7	PWC-D24	B	—	—
		PQC-1782	B	—	—
D2PA6	PQC-1342	None	—	—	
D2PR5	D2PA4	PYC-A1	None	—	—

##### Note

① For deciphering catalogue numbers. Do not use for ordering as not all combinations are readily available.

## D2PF Series Relay



## D2PF/D2PR Series

Coil Voltage	Contact Configuration	Coil Resistance (Ohms)	Catalogue Number
<b>Full Featured Style</b>			
6 Vac	DPDT	9.6	D2PF2AP
6 Vdc	DPDT	40	D2PF2AP1
12 Vac	DPDT	46	D2PF2AR
12 Vdc	DPDT	160	D2PF2AR1
24 Vac	DPDT	180	D2PF2AT
24 Vdc	DPDT	650	D2PF2AT1
48 Vdc	DPDT	2600	D2PF2AW1
110/125 Vdc	DPDT	11,000	D2PF2AA1
120 Vac	DPDT	4430	D2PF2AA
220/240 Vac	DPDT	15,720	D2PF2AB
12 Vac	4PDT	46	D2PF4AR
12 Vdc	4PDT	160	D2PF4AR1
24 Vac	4PDT	180	D2PF4AT
24 Vdc	4PDT	650	D2PF4AT1
48 Vdc	4PDT	2600	D2PF4AW1
110/125 Vdc	4PDT	11,000	D2PF4AA1
120 Vac	4PDT	4430	D2PF4AA
220/240 Vac	4PDT	15,720	D2PF4AB
<b>Plain Cover Style</b>			
6 Vdc	DPDT	40	D2PR2P1
12 Vdc	DPDT	160	D2PR2R1
24 Vac	DPDT	180	D2PR2T
24 Vdc	DPDT	650	D2PR2T1
48 Vdc	DPDT	2600	D2PR2W1
110/125 Vdc	DPDT	11,000	D2PR2A1
120 Vac	DPDT	4430	D2PR2A
220/240 Vac	DPDT	15,720	D2PR2B
6 Vac	4PDT	9.6	D2PR4P
6 Vdc	4PDT	40	D2PR4P1
12 Vac	4PDT	46	D2PR4R
12 Vdc	4PDT	160	D2PR4R1
24 Vac	4PDT	180	D2PR4T
24 Vdc	4PDT	650	D2PR4T1
110/125 Vdc	4PDT	11,000	D2PR4A1
120 Vac	4PDT	4430	D2PR4A
220/240 Vac	4PDT	15,720	D2PR4B
<b>Latching Style</b>			
24 Vac	DPDT	180	D2PR5T
24 Vdc	DPDT	650	D2PR5T1
110 Vac	DPDT	11,000	D2PR5A