

Product Overview

Relays Selection Guide



3

Description	XR Series Terminal Block Relays			D1 Series	D2 Series		
	Page V9-T3-8			Page V9-T3-9	Page V9-T3-11		
Approvals							
Features	Pluggable relay allows easy field replacement, LED indicator standard, functional plug-in bridges available Only 6.2 mm wide for SP and 14 mm wide for DP DIN rail mounting			Polycarbonate cover Indicator lamp and pushbutton available Panel and DIN mounting		Polycarbonate cover Indicator lamp and pushbutton available Panel, DIN and flange mounting Latching	
Contact Data							
Configuration	SPDT	DPDT	OctoCoupler	SPDT	DPDT	DPDT Latching	4PDT
Maximum allowable load	6A or 10A	6A	2A	20A	10A	10A	10A
Material	—			Silver alloy	Silver alloy		
Dielectric strength between poles	—			1500V	1500V		
Coil Data							
AC	24 Vac or 120 Vac			6–240 Vac	6–240 Vac		
DC	12, 24, 110 Vdc			6–110 Vdc	6–110 Vdc		
Power							
VA (Vac)	1.5			0.9 VA	1.2 VA		
Watts (Vdc)	0.12			0.7 Watts	0.9 Watts		
General Data							
Ambient temperature							
Storage	—			–40° to 185°F (–40° to 85°C)	–40° to 185°F (–40° to 85°C)		
Operational	–4° to 140°F (–20° to 60°C)			–40° to 131°F (–40° to 55°C)	–40° to 131°F (–40° to 55°C)		
Response time	Available upon request			20 milliseconds	20 milliseconds		
Life							
Mechanical operations	20 million			10 million	10 million		
Electrical operations	—			100,000	200,000		

For our complete product offering, see Volume 7—Logic Control, Operator Interface and Connectivity Solutions, CA08100008E and PG05400001E.

General Purpose Plug-In Relays—D2 Series



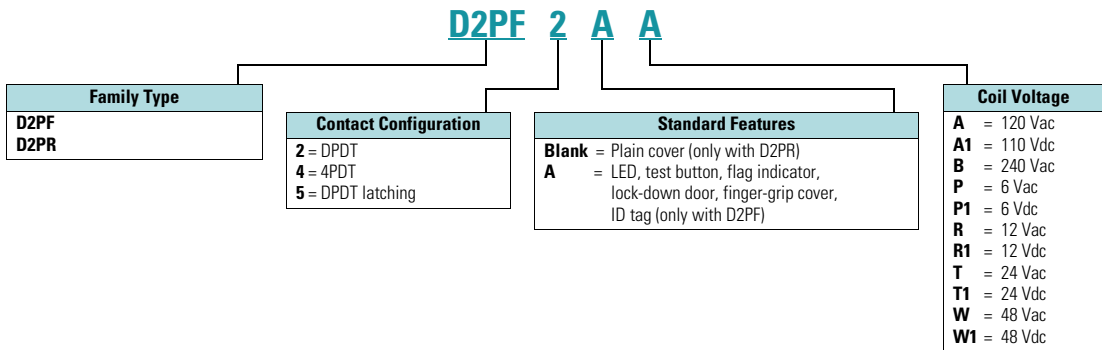
Features

- Ultra-high sensitivity relay with quick response
- Designed small, two-pole type break 5A load and four-pole type, 3A load
- High reliability, long life
- Panel, DIN rail and flange mounting
- Small size

Catalog Number Selection

General Purpose Plug-In Relays

D2 Series ①



Product Selection

D2PF/D2PR Relay/Socket Quick Reference

Relay Type	Socket	Clip
D2PR2	D2PAL	PWC-D24
D2PF2		PQC-1782
	D2PA6	PQC-1342
D2PR4	D2PAP	PWC-D24
D2PF4		PQC-1782
	D2PA7	PWC-D24
		PQC-1782
	D2PA6	PQC-1342
D2PR5	D2PA4	PYC-A1

Note

① For deciphering catalog numbers.
Do not use for ordering as not all combinations are readily available.

General Purpose Plug-In Relays—D2PR/D2PF

Coil Voltage	Contact Configuration	Coil Resistance (Ohms)	Catalog Number
Full Featured Style			
6 Vac	DPDT	9.6	D2PF2AP
6 Vdc	DPDT	40	D2PF2AP1
12 Vac	DPDT	46	D2PF2AR
12 Vdc	DPDT	160	D2PF2AR1
24 Vac	DPDT	180	D2PF2AT
24 Vdc	DPDT	650	D2PF2AT1
48 Vdc	DPDT	2,600	D2PF2AW1
110/125 Vdc	DPDT	11,000	D2PF2AA1
120 Vac	DPDT	4,430	D2PF2AA
220/240 Vac	DPDT	15,720	D2PF2AB
12 Vac	4PDT	46	D2PF4AR
12 Vdc	4PDT	160	D2PF4AR1
24 Vac	4PDT	180	D2PF4AT
24 Vdc	4PDT	650	D2PF4AT1
48 Vdc	4PDT	2,600	D2PF4AW1
110/125 Vdc	4PDT	11,000	D2PF4AA1
120 Vac	4PDT	4,430	D2PF4AA
220/240 Vac	4PDT	15,720	D2PF4AB

Coil Voltage	Contact Configuration	Coil Resistance (Ohms)	Catalog Number
Plain Cover Style			
6 Vdc	DPDT	40	D2PR2P1
12 Vdc	DPDT	160	D2PR2R1
24 Vac	DPDT	180	D2PR2T
24 Vdc	DPDT	650	D2PR2T1
48 Vdc	DPDT	2,600	D2PR2W1
110/125 Vdc	DPDT	11,000	D2PR2A1
120 Vac	DPDT	4,430	D2PR2A
220/240 Vac	DPDT	15,720	D2PR2B
6 Vac	4PDT	9.6	D2PR4P
6 Vdc	4PDT	40	D2PR4P1
12 Vac	4PDT	46	D2PR4R
12 Vdc	4PDT	160	D2PR4R1
24 Vac	4PDT	180	D2PR4T
24 Vdc	4PDT	650	D2PR4T1
110/125 Vdc	4PDT	11,000	D2PR4A1
120 Vac	4PDT	4,430	D2PR4A
220/240 Vac	4PDT	15,720	D2PR4B

Accessories

D2PF/D2PR Sockets and Accessories

Type	Standard Pack	Catalog Number
Socket	1	D2PAL ①
Socket	10	D2PA6
Socket	1	D2PAP ①
Socket	10	D2PA7 ①
Socket	5	D2PA4
Flange mount adapter	25	PFC-D2D72
Plastic ejector clip	10	PWC-D24
Metal spring clip	25	PQC-1782
Metal spring clip	25	PQC-1342
Hold-down spring	100	PYC-A1

Note

① Protection category (finger safe), EN 60529 IP20.