

#### Product Overview

#### Relays Selection Guide



3

Description	XR Series Terminal Block Relays			D1 Series	D2 Series		
	Page V9-T3-8			Page V9-T3-9	Page V9-T3-11		
Approvals							
Features	Pluggable relay allows easy field replacement, LED indicator standard, functional plug-in bridges available Only 6.2 mm wide for SP and 14 mm wide for DP DIN rail mounting			Polycarbonate cover Indicator lamp and pushbutton available Panel and DIN mounting	Polycarbonate cover Indicator lamp and pushbutton available Panel, DIN and flange mounting Latching		
<b>Contact Data</b>							
Configuration	SPDT	DPDT	OctoCoupler	SPDT	DPDT	DPDT Latching	4PDT
Maximum allowable load	6A or 10A	6A	2A	20A	10A	10A	10A
Material	—			Silver alloy	Silver alloy		
Dielectric strength between poles	—			1500V	1500V		
<b>Coil Data</b>							
AC	24 Vac or 120 Vac			6–240 Vac	6–240 Vac		
DC	12, 24, 110 Vdc			6–110 Vdc	6–110 Vdc		
Power							
VA (Vac)	1.5			0.9 VA	1.2 VA		
Watts (Vdc)	0.12			0.7 Watts	0.9 Watts		
<b>General Data</b>							
Ambient temperature							
Storage	—			–40° to 185°F (–40° to 85°C)	–40° to 185°F (–40° to 85°C)		
Operational	–4° to 140°F (–20° to 60°C)			–40° to 131°F (–40° to 55°C)	–40° to 131°F (–40° to 55°C)		
Response time	Available upon request			20 milliseconds	20 milliseconds		
Life							
Mechanical operations	20 million			10 million	10 million		
Electrical operations	—			100,000	200,000		

For our complete product offering, see Volume 7—Logic Control, Operator Interface and Connectivity Solutions, CA08100008E and PG05400001E.

General Purpose Plug-In Relays—D1 Series



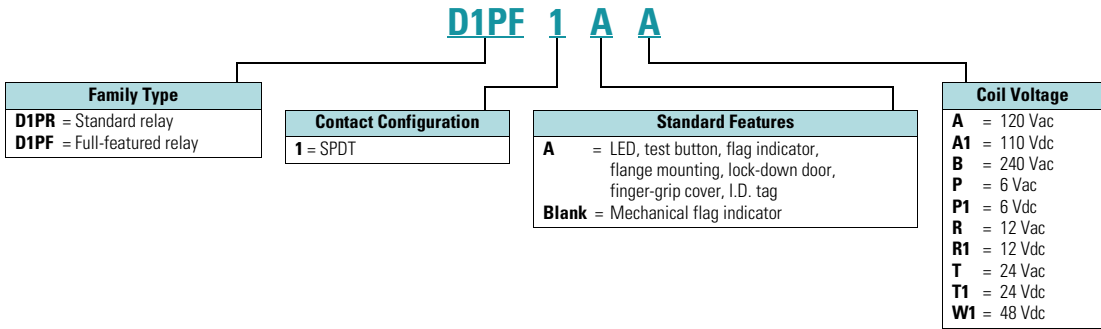
Features

- Compact relay capable of breaking relatively large load currents
- The contact operation can be easily checked by push-to-test button
- Panel and DIN rail mounting
- Flag indicator shows relay status in manual or powered condition
- LED status lamp shows coil “ON” or “OFF” status—ideal for use in low light applications
- Push-to-test button allows for manual operation of relay without the need for coil power
- Lock-down door holds pushbutton and contacts in the operate position when activated
- Finger-grip cover allows operator to remove relays from sockets easily
- ID tag/write label to identify relays in multiple-relay circuits
- Bi-polar LED allows for reverse polarity applications

Catalog Number Selection

General Purpose Plug-In Relays

D1 Series ①



Note

① For deciphering catalog numbers. Do not use for ordering as not all combinations are readily available.

## Product Selection

### General Purpose Plug-In Relays—D1PR/D1PF

Coil Voltage	Contact Configuration	Coil Resistance (Ohms)	Catalog Number
<b>Full Featured</b>			
6 Vac	SPDT	12.2	<b>D1PF1AP</b>
6 Vdc	SPDT	47	<b>D1PF1AP1</b>
12 Vac	SPDT	46	<b>D1PF1AR</b>
12 Vdc	SPDT	188	<b>D1PF1AR1</b>
24 Vac 50/60 Hz	SPDT	180	<b>D1PF1AT</b>
24 Vdc	SPDT	750	<b>D1PF1AT1</b>
48 Vac	SPDT	720	<b>D1PF1AW</b>
48 Vdc	SPDT	2,600	<b>D1PF1AW1</b>
110 Vdc	SPDT	13,800	<b>D1PF1AA1</b>
120 Vac 50/60 Hz	SPDT	4,430	<b>D1PF1AA</b>
240 Vac 50/60 Hz	SPDT	15,720	<b>D1PF1AB</b>

Coil Voltage	Contact Configuration	Coil Resistance (Ohms)	Catalog Number
<b>Plain Cover</b>			
6 Vac	SPDT	12.2	<b>D1PR1P</b>
6 Vac	SPDT	47	<b>D1PR1P1</b>
12 Vac	SPDT	46	<b>D1PR1R</b>
12 Vac	SPDT	188	<b>D1PR1R1</b>
24 Vac	SPDT	750	<b>D1PR1T1</b>
48 Vac	SPDT	720	<b>D1PR1W</b>
48 Vac	SPDT	2,600	<b>D1PR1W1</b>
110 Vdc	SPDT	13,800	<b>D1PR1A1</b>
120 Vac 50/60 Hz	SPDT	4,430	<b>D1PR1A</b>
240 Vac	SPDT	15,270	<b>D1PR1B</b>

## Accessories

### D1PR/D1PF Socket and Accessories

Type	Standard Pack	Catalog Number
Socket	10	<b>D1PAA</b>
Flange mount adapter	25	<b>PFC-D11</b>
Metal spring clip	25	<b>PMC-1781</b>