

Relays Selection Guide, continued



Description	D3 Series		D4 Series		D5 Series	
	Page V9-T3-13		Page V9-T3-15		Page V9-T3-16	
Approvals						
Features	Polycarbonate cover Indicator lamp and pushbutton available Panel and DIN mounting 8- or 11-pin octal plug-in Latching (D3PR version)		Polycarbonate cover Indicator lamp available Panel and DIN mounting Socket has built-in hold-down spring		Polycarbonate cover Indicator lamp and pushbutton available Panel, DIN and PC board mounting	
<b>Contact Data</b>						
Configuration		DPDT	3PDT	SPDT	DPDT	3PDT
Maximum allowable load	16A	16A	16A	10A at 250 Vac	5A at 240 Vac	16A
Material	Silver alloy		AgCdO		Silver alloy	
Dielectric strength between poles	1500V		5000V		1500V	
<b>Coil Data</b>						
AC	6–240 Vac		6–240 Vac		6–240 Vac	
DC	6–110 Vdc		6–110 Vdc		6–110 Vdc	
Power						
VA (Vac)	3 VA, 1.4 Watts (D3PR and DPF)		0.9 VA		3 VA	
Watts (Vdc)	2 VA 1.64 Watts (D3PR5 latching)		0.5 Watts		1.4 Watts	
<b>General Data</b>						
Ambient temperature						
Storage	–40° to 185°F (–40° to 85°C)		–40° to 158°F (–40° to 70°C)		–40° to 185°F (–40° to 85°C)	
Operational	–40° to 131°F (–40° to 55°C)		–40° to 158°F (–40° to 70°C)		–40° to 131°F (–40° to 55°C)	
Response time	20 milliseconds		15 milliseconds		206 milliseconds	
Life						
Mechanical operations	5 million (D3PR and D3PF) 10 million (D3PR5 latching)		10 million		5 million	
Electrical operations	100,000		100,000		100,000	

For our complete product offering, see Volume 7—Logic Control, Operator Interface and Connectivity Solutions, CA08100008E and PG05400001E.

General Purpose Plug-In Relays—D3 Series



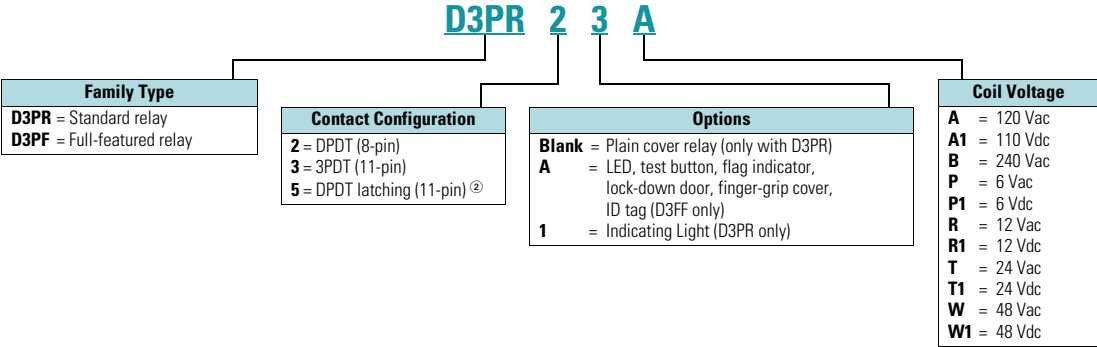
Features

- Compact relay capable of breaking relatively large load currents
- The contact operation can be easily checked by push-to-test button
- Panel and DIN rail mounting
- 8- or 11-pin octal plug-in

Catalog Number Selection

General Purpose Plug-In Relays

D3 Series ①



Product Selection

D3 Relay/Socket Quick Reference

Relay Type	Socket	Clip
D3PR2	D3PA6	PQC-1332
D3PF2	D3PAL8	PQC-1351
	D3PA2	PQC-1351
D3PR3	D3PA7	PQC-1332
D3PF3	D3PAL11	PQC-1351
	D3PA3	PQC-1351
D3PR5	D3PA7	PQC-1351
	D3PAL11	PQC-1351
	D3PA3	PQC-1351

Notes

- ① For deciphering catalog numbers. Do not use for ordering as not all combinations are readily available.
- ② D3PR only.

## General Purpose Plug-In Relays—D3PR/D2PF

Coil Voltage	Contact Configuration	Coil Resistance (Ohms)	Catalog Number
<b>Full Featured Style</b>			
120 Vac	DPDT	1,700	<b>D3PF2AA</b>
240 Vac	DPDT	7,200	<b>D3PF2AB</b>
12 Vdc	DPDT	120	<b>D3PF2AR1</b>
24 Vdc	DPDT	470	<b>D3PF2AT1</b>
48 Vdc	DPDT	1,800	<b>D3PF2AW1</b>
120 Vac	3PDT	1,700	<b>D3PF3AA</b>
220/240 Vac	3PDT	7,200	<b>D3PF3AB</b>
6 Vdc	3PDT	32	<b>D3PF3AP1</b>
24 Vac	3PDT	72	<b>D3PF3AT</b>
24 Vdc	3PDT	470	<b>D3PF3AT1</b>
48 Vdc	3PDT	1,800	<b>D3PF3AW1</b>
<b>Plain Cover Style</b>			
120 Vac	DPDT	1,700	<b>D3PR2A</b>
110/125 Vdc	DPDT	10,000	<b>D3PR2A1</b>
220/240 Vac	DPDT	7,200	<b>D3PR2B</b>
6 Vac	DPDT	4.2	<b>D3PR2P</b>

Coil Voltage	Contact Configuration	Coil Resistance (Ohms)	Catalog Number
<b>Plain Cover Style, continued</b>			
6 Vdc	DPDT	32	<b>D3PR2P1</b>
12 Vac	DPDT	18	<b>D3PR2R</b>
12 Vdc	DPDT	120	<b>D3PR2R1</b>
24 Vac	DPDT	72	<b>D3PR2T</b>
24 Vdc	DPDT	470	<b>D3PR2T1</b>
48 Vac	DPDT	290	<b>D3PR2W</b>
48 Vdc	DPDT	1,800	<b>D3PR2W1</b>
120 Vac	3PDT	1,700	<b>D3PR3A</b>
110/125 Vdc	3PDT	10,000	<b>D3PR3A1</b>
220/240 Vac	3PDT	7,200	<b>D3PR3B</b>
12 Vac	3PDT	18	<b>D3PR3R</b>
12 Vdc	3PDT	120	<b>D3PR3R1</b>
24 Vac	3PDT	72	<b>D3PR3T</b>
24 Vdc	3PDT	470	<b>D3PR3T1</b>
48 Vdc	3PDT	1,800	<b>D3PR3W1</b>

## Accessories

## D2PF/D2PR Sockets and Accessories

Type	Standard Pack	Catalog Number
Socket	1	<b>D3PA6</b> ①
Socket	10	<b>D3PAL8</b> ①
Socket	10	<b>D3PA2</b>
Socket	1	<b>D3PA7</b> ①
Socket	10	<b>D3PAL11</b> ①
Socket	10	<b>D3PA3</b>
Metal spring clip	25	<b>PQC-1332</b>
Metal spring clip	10	<b>PQC-1351</b>

**Note**

① Protection category (finger safe) EN 60529 IP20.