

D2 Series Relay



D2PR/D2PF Series

Product Description

The D2 Series is a compact line of relays with quick response time and long life. Available in DPDT, 4PDT and DPDT latching configurations.

Features

D2PR


- Ultra-high sensitivity relay with quick response
- High reliability, long life
- Panel, DIN rail and flange mounting
- Small size

Contents

| Description | Page |
|---|-------------|
| D1PR/D1PF Series | T40-46 |
| D2PR/D2PF Series | |
| Catalogue Number Selection | T40-52 |
| Product Selection | T40-52 |
| Accessories | T40-54 |
| Technical Data and Specifications | T40-55 |
| Wiring Diagrams | T40-56 |
| Dimensions | T40-57 |
| D3PR/D3PF Series | T40-61 |
| D4 Series | T40-71 |
| D5PR/D5PF Series | T40-75 |
| D7PR/D7PF Series | T40-85 |
| D8 Series | T40-100 |
| D9 Series | T40-106 |
| Accessories | T40-110 |

Standards and Certifications



 When used with accompanying Eaton screw terminal socket.

D2PF

- Flag indicator shows relay status in manual or powered condition
- Bipolar LED status lamp allows for reverse polarity applications
 - Shows coil ON or OFF status
 - Ideal in low light conditions
- Colour-coded pushbutton identifies AC coils with red or DC coils with blue pushbuttons
 - Allows for manual operation of relay without the need for coil power
 - Ideal for field service personnel to test control circuits
- Lock-down door, when activated, holds pushbutton and contacts in the operate position
 - Excellent for analyzing circuit problems
- Finger-grip cover allows operator to remove relays from sockets more easily than conventional relays
- White plastic ID tag/write label used for identification of relays in multi-relay circuits

40.4

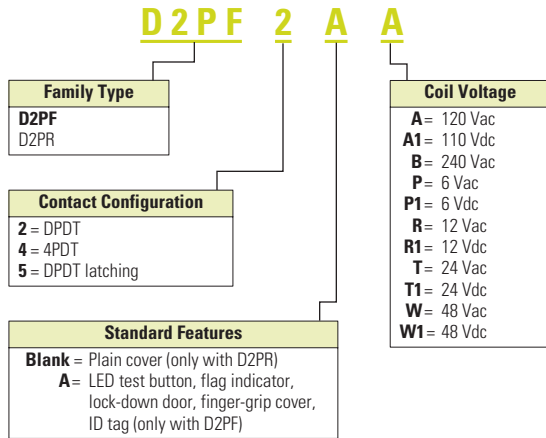
Control Relays and Timers

General Purpose Plug-In Relays

40

Catalogue Number Selection

D2PF/D2PR ①



Product Selection

D2PF/D2PR Relay/Socket Quick Reference

| Relay Type | Socket | Clip | Module Type | ID Tag | Jumper |
|--------------|----------|----------|-------------|---------|--------|
| D2PR2, D2PF2 | D2PAL | PWC-D24 | B | PWF-D2P | D2PJ1 |
| | | PQC-1782 | — | — | — |
| | D2PA6 | PQC-1342 | None | — | — |
| D2PR4, D2PF4 | D2PAP | PWC-D24 | B | PWF-D2P | D2PJ1 |
| | | PQC-1782 | — | — | — |
| | D2PA7 | PWC-D24 | B | — | — |
| | | PQC-1782 | B | — | — |
| D2PA6 | PQC-1342 | None | — | — | |
| D2PR5 | D2PA4 | PYC-A1 | None | — | — |

Note

① For deciphering catalogue numbers. Do not use for ordering as not all combinations are readily available.

D2PF Series Relay



D2PF/D2PR Series

| Coil Voltage | Contact Configuration | Coil Resistance (Ohms) | Catalogue Number |
|----------------------------|-----------------------|------------------------|------------------|
| Full Featured Style | | | |
| 6 Vac | DPDT | 9.6 | D2PF2AP |
| 6 Vdc | DPDT | 40 | D2PF2AP1 |
| 12 Vac | DPDT | 46 | D2PF2AR |
| 12 Vdc | DPDT | 160 | D2PF2AR1 |
| 24 Vac | DPDT | 180 | D2PF2AT |
| 24 Vdc | DPDT | 650 | D2PF2AT1 |
| 48 Vdc | DPDT | 2600 | D2PF2AW1 |
| 110/125 Vdc | DPDT | 11,000 | D2PF2AA1 |
| 120 Vac | DPDT | 4430 | D2PF2AA |
| 220/240 Vac | DPDT | 15,720 | D2PF2AB |
| 12 Vac | 4PDT | 46 | D2PF4AR |
| 12 Vdc | 4PDT | 160 | D2PF4AR1 |
| 24 Vac | 4PDT | 180 | D2PF4AT |
| 24 Vdc | 4PDT | 650 | D2PF4AT1 |
| 48 Vdc | 4PDT | 2600 | D2PF4AW1 |
| 110/125 Vdc | 4PDT | 11,000 | D2PF4AA1 |
| 120 Vac | 4PDT | 4430 | D2PF4AA |
| 220/240 Vac | 4PDT | 15,720 | D2PF4AB |
| Plain Cover Style | | | |
| 6 Vdc | DPDT | 40 | D2PR2P1 |
| 12 Vdc | DPDT | 160 | D2PR2R1 |
| 24 Vac | DPDT | 180 | D2PR2T |
| 24 Vdc | DPDT | 650 | D2PR2T1 |
| 48 Vdc | DPDT | 2600 | D2PR2W1 |
| 110/125 Vdc | DPDT | 11,000 | D2PR2A1 |
| 120 Vac | DPDT | 4430 | D2PR2A |
| 220/240 Vac | DPDT | 15,720 | D2PR2B |
| 6 Vac | 4PDT | 9.6 | D2PR4P |
| 6 Vdc | 4PDT | 40 | D2PR4P1 |
| 12 Vac | 4PDT | 46 | D2PR4R |
| 12 Vdc | 4PDT | 160 | D2PR4R1 |
| 24 Vac | 4PDT | 180 | D2PR4T |
| 24 Vdc | 4PDT | 650 | D2PR4T1 |
| 110/125 Vdc | 4PDT | 11,000 | D2PR4A1 |
| 120 Vac | 4PDT | 4430 | D2PR4A |
| 220/240 Vac | 4PDT | 15,720 | D2PR4B |
| Latching Style | | | |
| 24 Vac | DPDT | 180 | D2PR5T |
| 24 Vdc | DPDT | 650 | D2PR5T1 |
| 110 Vac | DPDT | 11,000 | D2PR5A |