

Relays Selection Guide, continued



Description	D3 Series		D4 Series		D5 Series	
	Page V9-T3-13		Page V9-T3-15		Page V9-T3-16	
Approvals						
Features	Polycarbonate cover Indicator lamp and pushbutton available Panel and DIN mounting 8- or 11-pin octal plug-in Latching (D3PR version)		Polycarbonate cover Indicator lamp available Panel and DIN mounting Socket has built-in hold-down spring		Polycarbonate cover Indicator lamp and pushbutton available Panel, DIN and PC board mounting	
Contact Data						
Configuration		DPDT	3PDT	SPDT	DPDT	DPDT 3PDT
Maximum allowable load	16A	16A	16A	10A at 250 Vac	5A at 240 Vac	16A 16A
Material	Silver alloy		AgCdO		Silver alloy	
Dielectric strength between poles	1500V		5000V		1500V	
Coil Data						
AC	6–240 Vac		6–240 Vac		6–240 Vac	
DC	6–110 Vdc		6–110 Vdc		6–110 Vdc	
Power						
VA (Vac)	3 VA, 1.4 Watts (D3PR and DPF)		0.9 VA		3 VA	
Watts (Vdc)	2 VA 1.64 Watts (D3PR5 latching)		0.5 Watts		1.4 Watts	
General Data						
Ambient temperature						
Storage	–40° to 185°F (–40° to 85°C)		–40° to 158°F (–40° to 70°C)		–40° to 185°F (–40° to 85°C)	
Operational	–40° to 131°F (–40° to 55°C)		–40° to 158°F (–40° to 70°C)		–40° to 131°F (–40° to 55°C)	
Response time	20 milliseconds		15 milliseconds		206 milliseconds	
Life						
Mechanical operations	5 million (D3PR and D3PF) 10 million (D3PR5 latching)		10 million		5 million	
Electrical operations	100,000		100,000		100,000	

For our complete product offering, see Volume 7—Logic Control, Operator Interface and Connectivity Solutions, CA08100008E and PG05400001E.

General Purpose Plug-In Relays—D3 Series



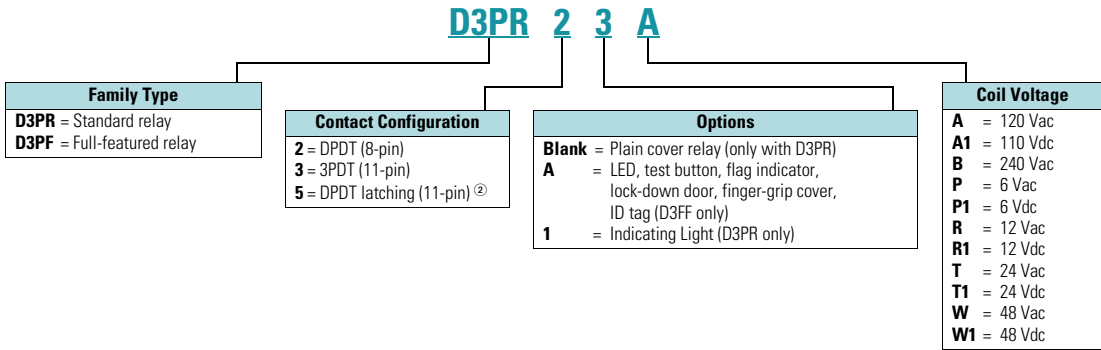
Features

- Compact relay capable of breaking relatively large load currents
- The contact operation can be easily checked by push-to-test button
- Panel and DIN rail mounting
- 8- or 11-pin octal plug-in

Catalog Number Selection

General Purpose Plug-In Relays

D3 Series ①



Product Selection

D3 Relay/Socket Quick Reference

Relay Type	Socket	Clip
D3PR2	D3PA6	PQC-1332
D3PF2	D3PAL8	PQC-1351
	D3PA2	PQC-1351
D3PR3	D3PA7	PQC-1332
D3PF3	D3PAL11	PQC-1351
	D3PA3	PQC-1351
D3PR5	D3PA7	PQC-1351
	D3PAL11	PQC-1351
	D3PA3	PQC-1351

Notes

- ① For deciphering catalog numbers. Do not use for ordering as not all combinations are readily available.
- ② D3PR only.

General Purpose Plug-In Relays—D3PR/D2PF

Coil Voltage	Contact Configuration	Coil Resistance (Ohms)	Catalog Number
Full Featured Style			
120 Vac	DPDT	1,700	D3PF2AA
240 Vac	DPDT	7,200	D3PF2AB
12 Vdc	DPDT	120	D3PF2AR1
24 Vdc	DPDT	470	D3PF2AT1
48 Vdc	DPDT	1,800	D3PF2AW1
120 Vac	3PDT	1,700	D3PF3AA
220/240 Vac	3PDT	7,200	D3PF3AB
6 Vdc	3PDT	32	D3PF3AP1
24 Vac	3PDT	72	D3PF3AT
24 Vdc	3PDT	470	D3PF3AT1
48 Vdc	3PDT	1,800	D3PF3AW1
Plain Cover Style			
120 Vac	DPDT	1,700	D3PR2A
110/125 Vdc	DPDT	10,000	D3PR2A1
220/240 Vac	DPDT	7,200	D3PR2B
6 Vac	DPDT	4.2	D3PR2P

Coil Voltage	Contact Configuration	Coil Resistance (Ohms)	Catalog Number
Plain Cover Style, continued			
6 Vdc	DPDT	32	D3PR2P1
12 Vac	DPDT	18	D3PR2R
12 Vdc	DPDT	120	D3PR2R1
24 Vac	DPDT	72	D3PR2T
24 Vdc	DPDT	470	D3PR2T1
48 Vac	DPDT	290	D3PR2W
48 Vdc	DPDT	1,800	D3PR2W1
120 Vac	3PDT	1,700	D3PR3A
110/125 Vdc	3PDT	10,000	D3PR3A1
220/240 Vac	3PDT	7,200	D3PR3B
12 Vac	3PDT	18	D3PR3R
12 Vdc	3PDT	120	D3PR3R1
24 Vac	3PDT	72	D3PR3T
24 Vdc	3PDT	470	D3PR3T1
48 Vdc	3PDT	1,800	D3PR3W1

Accessories

D2PF/D2PR Sockets and Accessories

Type	Standard Pack	Catalog Number
Socket	1	D3PA6 ①
Socket	10	D3PAL8 ①
Socket	10	D3PA2
Socket	1	D3PA7 ①
Socket	10	D3PAL11 ①
Socket	10	D3PA3
Metal spring clip	25	PQC-1332
Metal spring clip	10	PQC-1351

Note

① Protection category (finger safe) EN 60529 IP20.