

# 3.1

## Logic Devices

### Relays

3

#### General Purpose Plug-In Relays—D7 Series



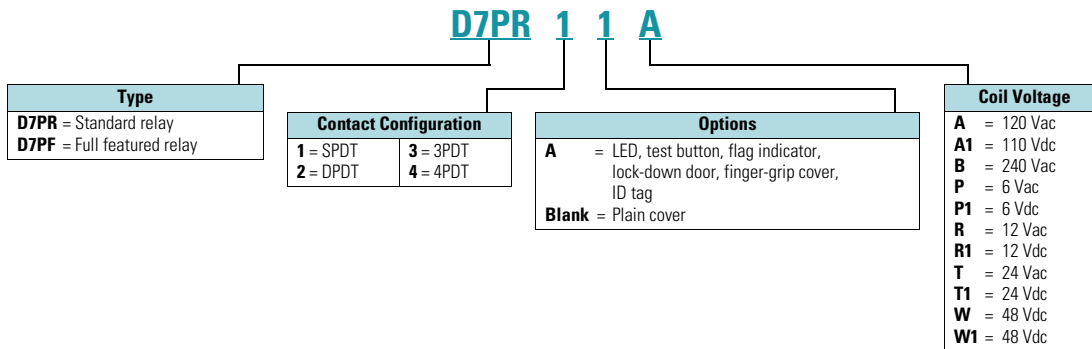
#### Features

- Arc barrier equipped relay with high dielectric strength
- Panel, DIN rail and flange mounting

#### Catalog Number Selection

##### General Purpose Plug-In Relays—D7 Series

##### D7 Series ①



#### Product Selection

##### D7 Relay/Socket Quick Reference

Relay Type	Socket/Adapter	Clip
D7PR1	D7PAA	PQC-1342
D7PR2		PQC-1349
D7PF1	D7PA9	PQC-1342
D7PF2	PFC-D2D72	—
D7PR3	D7PAB	PQC-1783 PMC-1783
D7PF3	PFC-D73	—
D7PR4	D7PAD	PQC-1784 PMC-1784
D7PF4	PFC-D74	—

#### Note

- ① For deciphering catalog numbers.  
Do not use for ordering as not all combinations are readily available.