

## D7 Series Relay



## D7PR/D7PF Series

## Product Description

The D7 Series is a cost-effective control relay with high dielectric strength and high current-carrying capacity.

## Features

**D7PR**

- Arc barrier equipped relay with high dielectric strength
- Panel and DIN rail mounting

## Contents


<b>Description</b>	<b>Page</b>
D1PR/D1PF Series . . . . .	T40-46
D2PR/D2PF Series . . . . .	T40-51
D3PR/D3PF Series . . . . .	T40-61
D4 Series . . . . .	T40-71
D5PR/D5PF Series . . . . .	T40-75
D7PR/D7PF Series	
Catalogue Number Selection . . . . .	T40-86
Product Selection . . . . .	T40-86
Accessories . . . . .	T40-89
Technical Data and Specifications . . . . .	T40-90
Wiring Diagrams . . . . .	T40-92
Dimensions . . . . .	T40-93
D8 Series . . . . .	T40-100
D9 Series . . . . .	T40-106
Accessories . . . . .	T40-110

**D7PF**

- Flag indicator shows relay status in manual or powered condition
- Bipolar LED status lamp allows for reverse polarity applications
  - Shows coil ON or OFF status
  - Ideal in low light conditions
- Colour-coded pushbutton identifies AC coils with red or DC coils with blue pushbuttons
  - Allows for manual operation of relay without the need for coil power
  - Ideal for field service personnel to test control circuits
- Lock-down door, when activated, holds pushbutton and contacts in the operate position
  - Excellent for analyzing circuit problems
- Finger-grip cover allows operator to remove relays from sockets more easily than conventional relays
- White plastic ID tag/write label used for identification of relays in multi-relay circuits

## Standards and Certifications

 File # E37317, E65657

 File # LR217017, LR217069



 RoHS COMPLIANT

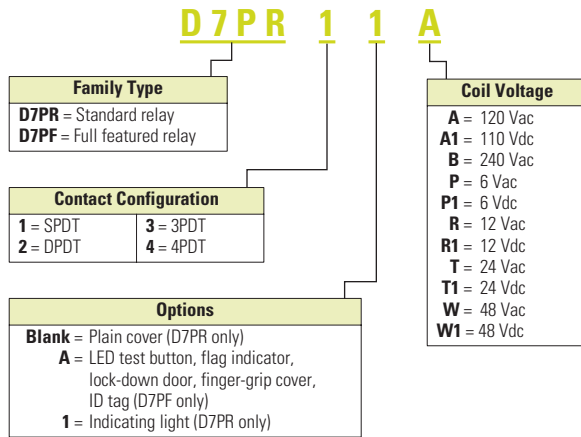
# 40.4

## Control Relays and Timers

### General Purpose Plug-In Relays

#### Catalogue Number Selection

##### D7 Series



#### Product Selection

##### D7 Relay/Socket Quick Reference

Relay Type	Socket/Adapter	Clip	Module Type	ID Tag	Jumper
D7PR1, D7PR2, D7PF1, D7PF2	D7PAA	PQC-1342	B	—	—
		PQC-1349	B	—	—
	D7PA9	PQC-1342	None	—	—
		PFC-D2D72	—	None	—
D7PR3, D7PF3	D7PAB	PQC-1783	A	—	—
		PMC-1783	A	—	—
	PFC-D73	—	None	—	—
D7PR4, D7PF4	D7PAD	PQC-1784	A	—	—
		PMC-1784	A	—	—
	PFC-D74	—	None	—	—

## D7 Series Relay



## D7 Series

Coil Voltage	Contact Configuration	Coil Resistance (Ohms)	Catalogue Number
<b>Full Featured</b>			
120 Vac	SPDT	4430	<b>D7PF1AA</b>
6 Vac	SPDT	9.6	<b>D7PF1AP</b>
6 Vdc	SPDT	40	<b>D7PF1AP1</b>
12 Vac	SPDT	46	<b>D7PF1AR</b>
24 Vdc	SPDT	650	<b>D7PF1AT1</b>
48 Vac	SPDT	788	<b>D7PF1AW</b>
48 Vdc	SPDT	2600	<b>D7PF1AW1</b>
120 Vac	DPDT	4430	<b>D7PF2AA</b>
110/125 Vdc	DPDT	11,000	<b>D7PF2AA1</b>
220/240 Vac	DPDT	15,720	<b>D7PF2AB</b>
6 Vac	DPDT	9.6	<b>D7PF2AP</b>
6 Vdc	DPDT	40	<b>D7PF2AP1</b>
12 Vac	DPDT	46	<b>D7PF2AR</b>
12 Vdc	DPDT	160	<b>D7PF2AR1</b>
24 Vac	DPDT	180	<b>D7PF2AT</b>
24 Vdc	DPDT	650	<b>D7PF2AT1</b>
48 Vac	DPDT	788	<b>D7PF2AW</b>
48 Vdc	DPDT	2600	<b>D7PF2AW1</b>
120 Vac	3PDT	2770	<b>D7PF3AA</b>
6 Vac	3PDT	6	<b>D7PF3AP</b>
6 Vdc	3PDT	25	<b>D7PF3AP1</b>
12 Vac	3PDT	25.3	<b>D7PF3AR</b>
24 Vac	3PDT	103	<b>D7PF3AT</b>
24 Vdc	3PDT	400	<b>D7PF3AT1</b>
48 Vac	3PDT	412	<b>D7PF3AW</b>
48 Vdc	3PDT	1600	<b>D7PF3AW1</b>
120 Vac	4PDT	2220	<b>D7PF4AA</b>
110/125 Vdc	4PDT	7340	<b>D7PF4AA1</b>
240 Vac	4PDT	9120	<b>D7PF4AB</b>
6 Vac	4PDT	5.4	<b>D7PF4AP</b>
6 Vdc	4PDT	24	<b>D7PF4AP1</b>
12 Vac	4PDT	21.2	<b>D7PF4AR</b>
12 Vdc	4PDT	96	<b>D7PF4AR1</b>
24 Vac	4PDT	84.5	<b>D7PF4AT</b>
24 Vdc	4PDT	388	<b>D7PF4AT1</b>
48 Vdc	4PDT	1550	<b>D7PF4AW</b>
48 Vac	4PDT	410	<b>D7PF4AW1</b>

# 40.4

## Control Relays and Timers

### General Purpose Plug-In Relays

D7 Series Relay



#### D7 Series, continued

Coil Voltage	Contact Configuration	Coil Resistance (Ohms)	Catalogue Number
<b>Plain Cover with LED</b>			
120 Vac	SPDT	4430	<b>D7PR11A</b>
110/125 Vdc	SPDT	11,000	<b>D7PR11A1</b>
6 Vac	SPDT	9.6	<b>D7PR11P</b>
12 Vac	SPDT	46	<b>D7PR11R</b>
12 Vdc	SPDT	160	<b>D7PR11R1</b>
24 Vac	SPDT	180	<b>D7PR11T</b>
24 Vdc	SPDT	650	<b>D7PR11T1</b>
48 Vdc	SPDT	2600	<b>D7PR11W1</b>
120 Vac	3PDT	2770	<b>D7PR31A</b>
240 Vac	3PDT	12100	<b>D7PR31B</b>
24 Vac	3PDT	103	<b>D7PR31T</b>
24 Vdc	3PDT	400	<b>D7PR31T1</b>
48 Vdc	3PDT	1600	<b>D7PR31W1</b>
120 Vac	4PDT	2220	<b>D7PR41A</b>
12 Vdc	4PDT	100	<b>D7PR41R1</b>
24 Vdc	4PDT	388	<b>D7PR41T1</b>
<b>Plain Cover</b>			
120 Vac	SPDT	4430	<b>D7PR1A</b>
110/125 Vdc	SPDT	11000	<b>D7PR1A1</b>
220/240 Vac	SPDT	15720	<b>D7PR1B</b>
6 Vac	SPDT	9.6	<b>D7PR1P</b>
12 Vdc	SPDT	160	<b>D7PR1R1</b>
24 Vac	SPDT	180	<b>D7PR1T</b>
24 Vdc	SPDT	650	<b>D7PR1T1</b>
48 Vdc	SPDT	2600	<b>D7PR1W1</b>
120 Vac	DPDT	4430	<b>D7PR2A</b>
110/125 Vdc	DPDT	11000	<b>D7PR2A1</b>
220/240 Vac	DPDT	15720	<b>D7PR2B</b>
6 Vac	DPDT	9.6	<b>D7PR2P</b>
6 Vdc	DPDT	40	<b>D7PR2P1</b>
12 Vac	DPDT	46	<b>D7PR2R</b>
12 Vdc	DPDT	160	<b>D7PR2R1</b>
24 Vac	DPDT	180	<b>D7PR2T</b>
24 Vdc	DPDT	650	<b>D7PR2T1</b>
120 Vac	3PDT	2770	<b>D7PR3A</b>
240 Vac	3PDT	12100	<b>D7PR3B</b>
6 Vac	3PDT	6	<b>D7PR3P</b>
12 Vac	3PDT	25.3	<b>D7PR3R</b>
12 Vdc	3PDT	100	<b>D7PR3R1</b>
24 Vac	3PDT	103	<b>D7PR3T</b>
24 Vdc	3PDT	400	<b>D7PR3T1</b>
48 Vdc	3PDT	1600	<b>D7PR3W1</b>
120 Vac	4PDT	2220	<b>D7PR4A</b>
110/125 Vdc	4PDT	7340	<b>D7PR4A1</b>
240 Vac	4PDT	9120	<b>D7PR4B</b>
6 Vac	4PDT	5.4	<b>D7PR4P</b>
24 Vac	4PDT	84.5	<b>D7PR4T</b>
24 Vdc	4PDT	388	<b>D7PR4T1</b>
48 Vdc	4PDT	1550	<b>D7PR4W1</b>