

# 3.1

## Logic Devices

### Relays

3

#### General Purpose Plug-In Relays—D7 Series



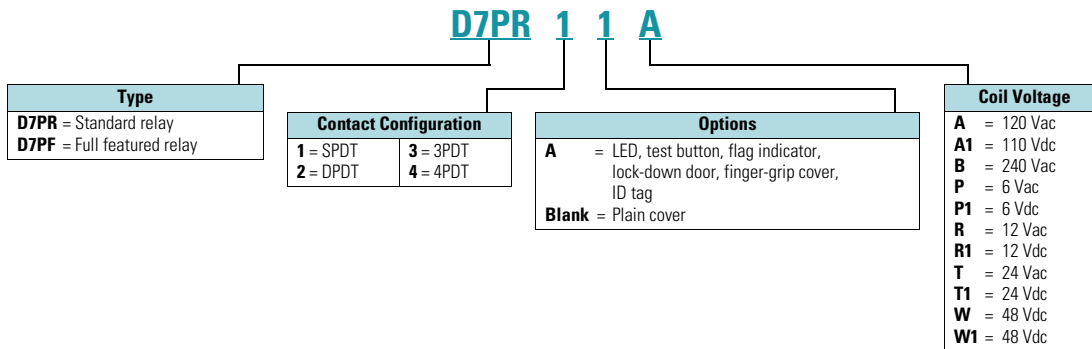
#### Features

- Arc barrier equipped relay with high dielectric strength
- Panel, DIN rail and flange mounting

### Catalog Number Selection

#### General Purpose Plug-In Relays—D7 Series

##### D7 Series ①



### Product Selection

#### D7 Relay/Socket Quick Reference

Relay Type	Socket/Adapter	Clip
D7PR1	D7PAA	PQC-1342
D7PR2		PQC-1349
D7PF1	D7PA9	PQC-1342
D7PF2	PFC-D2D72	—
D7PR3	D7PAB	PQC-1783 PMC-1783
D7PF3	PFC-D73	—
D7PR4	D7PAD	PQC-1784 PMC-1784
D7PF4	PFC-D74	—

#### Note

- ① For deciphering catalog numbers.  
 Do not use for ordering as not all combinations are readily available.

General Purpose Plug-In Relays—D7

Coil Voltage	Contact Configuration	Coil Resistance (Ohms)	Catalog Number
<b>Full Featured</b>			
120 Vac	SPDT	4,430	<b>D7PF1AA</b>
6 Vac	SPDT	9.6	<b>D7PF1AP</b>
6 Vdc	SPDT	40	<b>D7PF1AP1</b>
12 Vac	SPDT	46	<b>D7PF1AR</b>
24 Vdc	SPDT	650	<b>D7PF1AT1</b>
48 Vac	SPDT	788	<b>D7PF1AW</b>
48 Vdc	SPDT	2,600	<b>D7PF1AW1</b>
120 Vac	DPDT	4,430	<b>D7PF2AA</b>
110/125 Vdc	DPDT	11,000	<b>D7PF2AA1</b>
220/240 Vac	DPDT	15,720	<b>D7PF2AB</b>
6 Vac	DPDT	9.6	<b>D7PF2AP</b>
6 Vdc	DPDT	40	<b>D7PF2AP1</b>
12 Vac	DPDT	46	<b>D7PF2AR</b>
12 Vdc	DPDT	160	<b>D7PF2AR1</b>
24 Vac	DPDT	180	<b>D7PF2AT</b>
24 Vdc	DPDT	650	<b>D7PF2AT1</b>
48 Vac	DPDT	788	<b>D7PF2AW</b>
48 Vdc	DPDT	2,600	<b>D7PF2AW1</b>
120 Vac	3PDT	2,770	<b>D7PF3AA</b>
6 Vac	3PDT	6	<b>D7PF3AP</b>
6 Vdc	3PDT	25	<b>D7PF3AP1</b>
12 Vac	3PDT	25.3	<b>D7PF3AR</b>
24 Vac	3PDT	103	<b>D7PF3AT</b>
24 Vdc	3PDT	400	<b>D7PF3AT1</b>
48 Vac	3PDT	412	<b>D7PF3AW</b>
48 Vdc	3PDT	1,600	<b>D7PF3AW1</b>
120 Vac	4PDT	2,220	<b>D7PF4AA</b>
110/125 Vdc	4PDT	7,340	<b>D7PF4AA1</b>
240 Vac	4PDT	9,120	<b>D7PF4AB</b>
6 Vac	4PDT	5.4	<b>D7PF4AP</b>
6 Vdc	4PDT	24	<b>D7PF4AP1</b>
12 Vac	4PDT	21.2	<b>D7PF4AR</b>
12 Vdc	4PDT	96	<b>D7PF4AR1</b>
24 Vac	4PDT	84.5	<b>D7PF4AT</b>
24 Vdc	4PDT	388	<b>D7PF4AT1</b>
48 Vdc	4PDT	1,550	<b>D7PF4AW</b>
48 Vac	4PDT	410	<b>D7PF4AW1</b>

Coil Voltage	Contact Configuration	Coil Resistance (Ohms)	Catalog Number
<b>Plain Cover</b>			
120 Vac	SPDT	4,430	<b>D7PR1A</b>
110/125 Vdc	SPDT	11,000	<b>D7PR1A1</b>
220/240 Vac	SPDT	15,720	<b>D7PR1B</b>
6 Vac	SPDT	9.6	<b>D7PR1P</b>
12 dc	SPDT	160	<b>D7PR1R1</b>
24 Vac	SPDT	180	<b>D7PR1T</b>
24 Vdc	SPDT	650	<b>D7PR1T1</b>
48 Vdc	SPDT	2600	<b>D7PR1W1</b>
120 Vac	DPDT	4,430	<b>D7PR2A</b>
110/125 Vdc	DPDT	11,000	<b>D7PR2A1</b>
220/240 Vac	DPDT	15,720	<b>D7PR2B</b>
6 Vac	DPDT	9.6	<b>D7PR2P</b>
6 Vdc	DPDT	40	<b>D7PR2P1</b>
12 Vac	DPDT	46	<b>D7PR2R</b>
12 Vdc	DPDT	160	<b>D7PR2R1</b>
24 Vac	DPDT	180	<b>D7PR2T</b>
24 Vdc	DPDT	650	<b>D7PR2T1</b>
120 Vac	3PDT	2,770	<b>D7PR3A</b>
240 Vac	3PDT	12,100	<b>D7PR3B</b>
6 Vac	3PDT	6	<b>D7PR3P</b>
12 Vac	3PDT	25.3	<b>D7PR3R</b>
12 Vdc	3PDT	100	<b>D7PR3R1</b>
24 Vac	3PDT	103	<b>D7PR3T</b>
24 Vdc	3PDT	400	<b>D7PR3T1</b>
48 Vdc	3PDT	1,600	<b>D7PR3W1</b>
120 Vac	4PDT	2,220	<b>D7PR4A</b>
110/125 Vdc	4PDT	7,340	<b>D7PR4A1</b>
240 Vac	4PDT	9,120	<b>D7PR4B</b>
6 Vac	4PDT	5.4	<b>D7PR4P</b>
24 Vac	4PDT	84.5	<b>D7PR4T</b>
24 Vdc	4PDT	388	<b>D7PR4T1</b>
48 Vdc	4PDT	1,550	<b>D7PR4W1</b>

Accessories

D7 Sockets and Accessories

Type	Standard Pack	Catalog Number
Socket	—	D7PAA ①
Socket	1	D7PA9
Socket	—	D7PAD ①
Socket	—	D7PAB ①
Flange mount adapter	25	PFC-D2D72
Flange mount adapter	25	PFC-D73
Flange mount adapter	25	PFC-D74

Note

① Protection category (finger safe) EN 60529 IP20.

Type	Standard Pack	Catalog Number
Metal spring clip	25	PQC-1342
Plastic ID clip	10	PQC-1349
Metal spring clip	25	PQC-1784
Plastic ID clip	10	PMC-1784
Hold-down spring	25	PYC-B2
Metal spring clip	10	PQC-1783
Plastic ID clip	10	PMC-1783