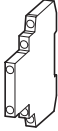

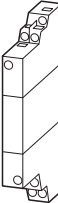
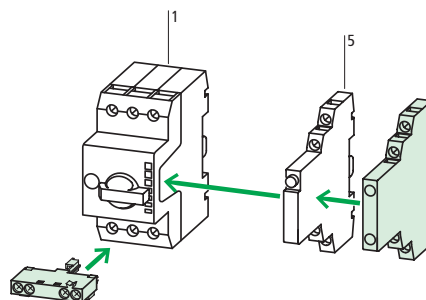


System PKZ 0

Standard Auxiliary Contacts

	Type	Price
	Article No. when ordered separately	see price list
	NHI11-PKZO 072896	<p>Can be mounted to the right of the motor protector and (motor protector combinations</p> <p>Can be combined with: AGM2-....-PKZ0 trip indicating auxiliary contact and NHI-E-...-PKZ0</p> <p>Cannot be combined with NHI2-11S-PKZ0 standard auxiliary contact</p>
	NHI12-PKZO 072895	
	NHI21-PKZO 072894	
	NHI-E-11-PKZO 082882	<p>Can be mounted to the top of motor protectors beginning with Serial No. 01 or higher. 45mm width of the motor protector remains unchanged</p>
	NHI-E-10-PKZO 082884	
	NHI2-11S-PKZO 072897	<p>Can be mounted to the right of the motor protector combinations</p> <p>Cannot be combined with standard auxiliary contacts NHI11-PKZO NHI12-PKZO NHI21-PKZO trip-indicating auxiliary contact AGM2-...PKZ0</p> <p>Can be combined with NHI-E-...</p>

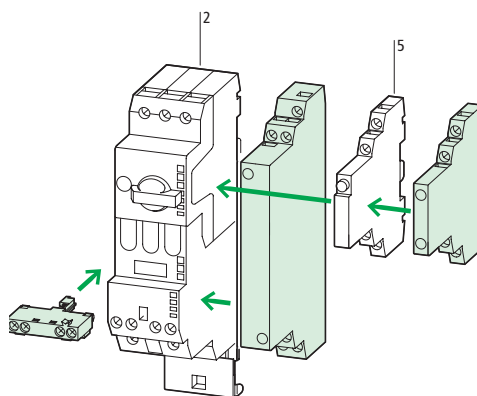
Notes



Accessories

page

1 Manual motor protector	08/006
5 Trip indicating auxiliary contact	08/014
Additional accessories	08/019



Accessories

page

2 Motor protector Motor protector combination	08/010
5 Trip indicating auxiliary contact	08/014
Additional accessories	08/019