

D1 Series Relay



D1PR/D1PF Series

Product Description

The D1 Series of relay provides a compact single-pole relay capable of handling 20A. Multiple feature and voltage options allow for the perfect fit for any application.

Features

D1PR

- Compact relay capable of breaking relatively large load currents
- Panel and DIN rail mounting

D1PF

- The contact operation can be easily checked by Push-to-Test button
- Flag indicator shows relay status in manual or powered condition
- LED status lamp shows coil ON or OFF status—ideal for use in low light applications
- Push-to-Test button allows for manual operation of relay without the need for coil power
- Lock-down door holds pushbutton and contacts in the operate position when activated
- Finger-grip cover allows operator to remove relays from sockets easily
- ID tag/write label to identify relays in multiple-relay circuits
- Bipolar LED allows for reverse polarity applications

Contents

Description

Description	Page
D1PR/D1PF Series	
Product Selection	V7-T3-54
Accessories	V7-T3-55
Technical Data and Specifications	V7-T3-56
Wiring Diagram	V7-T3-57
Dimensions	V7-T3-57
D2PR/D2PF Series	V7-T3-58
D3PR/D3PF Series	V7-T3-68
D4 Series	V7-T3-78
D5PR/D5PF Series	V7-T3-82
D7PR/D7PF Series	V7-T3-91
D8 Series	V7-T3-106
D9 Series	V7-T3-112
Accessories	V7-T3-116

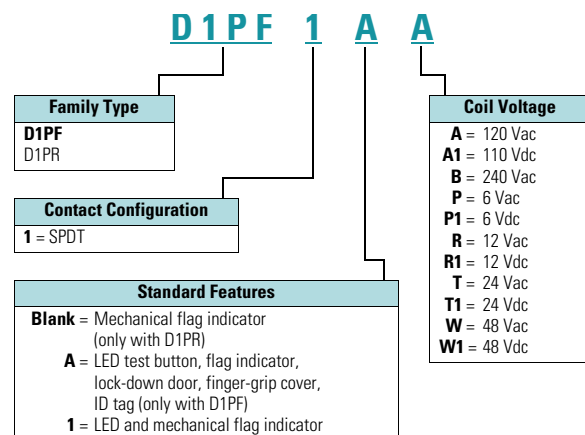
Standards and Certifications



When used with accompanying Eaton screw terminal socket.

Catalog Number Selection

D1PR/D1PF Series



3.4

Control Relays and Timers

General Purpose Plug-In Relays

Product Selection

D1PR/D1PF Relay/Socket Quick Reference

Relay Type	Socket	Clip	Module Type	ID Tag	Jumper
D1PR1	D1PAA	PMC-1781	B	—	—
D1PF1	D1PAA	PMC-1781	B	—	—

3

D1PF Series Relay



D1PR/D1PF Series

Coil Voltage	Contact Configuration	Coil Resistance (Ohms)	Catalog Number
Full Featured			
6 Vac	SPDT	12.2	D1PF1AP
6 Vdc	SPDT	47	D1PF1AP1
12 Vac	SPDT	46	D1PF1AR
12 Vdc	SPDT	188	D1PF1AR1
24 Vac 50/60 Hz	SPDT	180	D1PF1AT
24 Vdc	SPDT	750	D1PF1AT1
48 Vac	SPDT	720	D1PF1AW
48 Vdc	SPDT	2600	D1PF1AW1
110 Vdc	SPDT	13,800	D1PF1AA1
120 Vac 50/60 Hz	SPDT	4430	D1PF1AA
240 Vac 50/60 Hz	SPDT	15,720	D1PF1AB
Plain Cover with LED Indicator			
6 Vac	SPDT	12.2	D1PR11P
6 Vdc	SPDT	47	D1PR11P1
12 Vac	SPDT	46	D1PR11R
12 Vdc	SPDT	188	D1PR11R1
24 Vac 50/60 Hz	SPDT	180	D1PR11T
24 Vdc	SPDT	750	D1PR11T1
48 Vac	SPDT	720	D1PR11W
48 Vdc	SPDT	2600	D1PR11W1
240 Vac 50/60 Hz	SPDT	15,720	D1PR11B
110 Vdc	SPDT	13,800	D1PR11A1
120 Vac	SPDT	4430	D1PR11A
24 Vac 50/60 Hz	SPDT	180	D1PR11T
Plain Cover			
6 Vac	SPDT	12.2	D1PR1P
6 Vdc	SPDT	47	D1PR1P1
12 Vac	SPDT	46	D1PR1R
12 Vdc	SPDT	188	D1PR1R1
24 Vdc	SPDT	750	D1PR1T1
48 Vac	SPDT	720	D1PR1W
48 Vdc	SPDT	2600	D1PR1W1
110 Vdc	SPDT	13,800	D1PR1A1
120 Vac 50/60 Hz	SPDT	4430	D1PR1A
240 Vac	SPDT	15,270	D1PR1B

3.4

Control Relays and Timers

General Purpose Plug-In Relays

3

General Purpose Plug-In Relays

Relay Series

D1PR/D1PF



D2PR/D2PF



D3PR/D3PF



Approvals



Features

Polycarbonate cover

Indicator lamp and pushbutton available

Panel and DIN mounting

Polycarbonate cover

Indicator lamp and pushbutton available

Panel, DIN and flange mounting

Latching

Polycarbonate cover

Indicator lamp and pushbutton available

Panel and DIN mounting

8- or 11-pin octal plug-in

Latching (D3PR version)

Contact Data

Configuration	SPDT	DPDT	DPDT Latching	4PDT	DPDT	3PDT
Max. allowable load	20A	10A	3A	10A	16A	16A
Material	Silver alloy	Silver alloy			Silver alloy	
Dielectric strength between poles	1500V	1500V			1500V	

Coil Data

AC	6 to 240 Vac	6 to 240 Vac			6 to 240 Vac	
DC	6 to 110 Vdc	6 to 110 Vdc			6 to 110 Vdc	
Power						
VA (Vac)	0.9 VA	1.2 VA			3 VA 1.4W (D3PR and D3PF)	
Watts (Vdc)	0.7W	0.9W			2 VA 1.64W (D3PR5 latching)	

General Data

Ambient temperature						
Storage	-40° to 185°F (-40° to 85°C)	-40° to 185°F (-40° to 85°C)			-40° to 185°F (-40° to 85°C)	
Operational	-40° to 131°F (-40° to 55°C)	-40° to 131°F (-40° to 55°C)			-40° to 131°F (-40° to 55°C)	
Response time	20 milliseconds	20 milliseconds			20 milliseconds	
Life						
Mechanical operations	10 million	10 million			5 million (D3PR and D3PF) 10 million (D3PR5 latching)	
Electrical operations	100,000	200,000			100,000	

Page Numbers	V7-T3-53 to V7-T3-57	V7-T3-58 to V7-T3-67	V7-T3-68 to V7-T3-77
---------------------	-----------------------------	-----------------------------	-----------------------------