

## D3 Series Relay



## D3PR/D3PF Series

## Product Description

The D3 Series of relays provides excellent functionality in a popular octal base design. Rigid pins and guide allow for quick and easy installation with little risk of damage.

## Features

**D3PR**

- Compact relay capable of breaking relatively large load currents
- Panel and DIN rail mounting
- 8- or 11-pin octal plug-in

## Contents


<b>Description</b>	<b>Page</b>
D1PR/D1PF Series . . . . .	T40-46
D2PR/D2PF Series . . . . .	T40-51
D3PR/D3PF Series	
Catalogue Number Selection . . . . .	T40-62
Product Selection . . . . .	T40-62
Accessories . . . . .	T40-64
Technical Data and Specifications . . . . .	T40-65
Dimensions . . . . .	T40-66
D4 Series . . . . .	T40-71
D5PR/D5PF Series . . . . .	T40-75
D7PR/D7PF Series . . . . .	T40-85
D8 Series . . . . .	T40-100
D9 Series . . . . .	T40-106
Accessories . . . . .	T40-110

**D3PF**

- The contact operation can be easily checked by Push-to-Test button
- Flag indicator shows relay status in manual or powered condition
- LED status lamp shows coil ON or OFF status—ideal for use in low light applications
- Push-to-Test button allows for manual operation of relay without the need for coil power
- Lock-down door holds pushbutton and contacts in the operate position when activated
- Finger-grip cover allows operator to remove relays from sockets easily
- ID tag/write label to identify relays in multiple-relay circuits
- Bipolar LED allows for reverse polarity applications

## Standards and Certifications

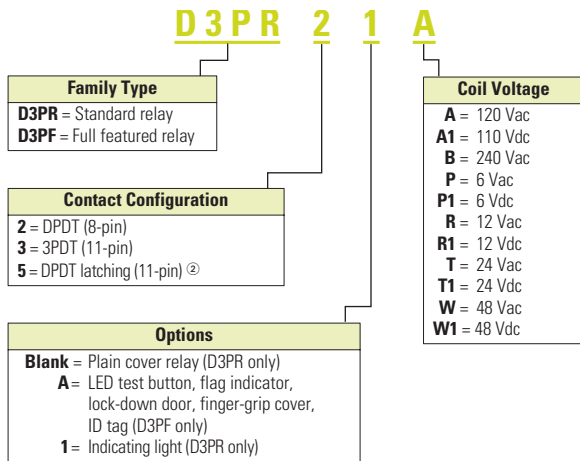


 (CSA approval not applicable to D3PR5 Relays)

 When used with accompanying Eaton screw terminal socket (for D3PF only)

#### Catalogue Number Selection

##### D3PR/D3PF Series ①



#### Product Selection

##### D3 Relay/Socket Quick Reference

Relay Type	Socket	Clip	Module Type	ID Tag	Jumper
D3PR2, D3PF2	D3PA6	PQC-1332	A	—	D3PJ1
	D3PAL8	PQC-1351	A	PWF-D3D5	—
	D3PA2	PQC-1351	None	—	—
D3PR3, D3PF3	D3PA7	PQC-1332	A	—	D3PJ1
	D3PAL11	PQC-1351	A	PWF-D3D5	—
	D3PA3	PQC-1351	None	—	—
D3PR5	D3PA7	PQC-1351	A	—	D3PJ1
	D3PAL11	PQC-1351	A	PWF-D3D5	—
	D3PA3	PQC-1351	None	—	—

#### Notes

- ① For deciphering catalogue numbers. Do not use for ordering as not all combinations are readily available.
- ② D3PR only.

## D3 Series Relay



## D3PR/D3PF Series

Coil Voltage	Contact Configuration	Coil Resistance (Ohms)	Catalogue Number
<b>Full Featured Style</b>			
120 Vac	DPDT	1700	D3PF2AA
240 Vac	DPDT	7200	D3PF2AB
12 Vdc	DPDT	120	D3PF2AR1
24 Vdc	DPDT	470	D3PF2AT1
48 Vdc	DPDT	1800	D3PF2AW1
120 Vac	3PDT	1700	D3PF3AA
220/240 Vac	3PDT	7200	D3PF3AB
6 Vdc	3PDT	32	D3PF3AP1
24 Vac	3PDT	72	D3PF3AT
24 Vdc	3PDT	470	D3PF3AT1
48 Vdc	3PDT	1800	D3PF3AW1
<b>Latching Style</b>			
120 Vac	DPDT	10,000	D3PR5A
110/125 Vdc	DPDT	9000	D3PR5A1
240 Vac	DPDT	36,000	D3PR5B
12 Vdc	DPDT	90	D3PR5R1
24 Vac	DPDT	470	D3PR5T
24 Vdc	DPDT	350	D3PR5T1
48 Vdc	DPDT	1400	D3PR5W1
<b>Plain Cover with LED Indicator</b>			
120 Vac	DPDT	1700	D3PR21A
24 Vac	DPDT	72	D3PR21T
24 Vdc	DPDT	470	D3PR21T1
220/240 Vac	3PDT	7200	D3PR31B
24 Vac	3PDT	72	D3PR31T
24 Vdc	3PDT	470	D3PR31T1
<b>Plain Cover Style</b>			
120 Vac	DPDT	1700	D3PR2A
110/125 Vdc	DPDT	10,000	D3PR2A1
220/240 Vac	DPDT	7200	D3PR2B
6 Vac	DPDT	4.2	D3PR2P
6 Vdc	DPDT	32	D3PR2P1
12 Vac	DPDT	18	D3PR2R
12 Vdc	DPDT	120	D3PR2R1
24 Vac	DPDT	72	D3PR2T
24 Vdc	DPDT	470	D3PR2T1
48 Vac	DPDT	290	D3PR2W
48 Vdc	DPDT	1800	D3PR2W1
120 Vac	3PDT	1700	D3PR3A
110/125 Vdc	3PDT	10,000	D3PR3A1
220/240 Vac	3PDT	7200	D3PR3B
12 Vac	3PDT	18	D3PR3R
12 Vdc	3PDT	120	D3PR3R1
24 Vac	3PDT	72	D3PR3T
24 Vdc	3PDT	470	D3PR3T1
48 Vdc	3PDT	1800	D3PR3W1