

Relays Selection Guide, continued



3

Description	D7 Series				D8 Series		D9 Series	
	Page V9-T3-18				Page V9-T3-20		Page V9-T3-22	
Approvals								
Features	Polycarbonate cover Indicator lamp and pushbutton available Panel, DIN and flange mounting				Dust cover Panel, DIN and flange mounting Quick-connect and screw terminals		Dust cover Pushbutton available Panel mounting Screw terminals	
Contact Data								
Configuration							4PST	
	SPDT	DPDP	3PDT	4PDT	SPST-NO	DPST-NO	NO	NC
Maximum allowable load	20A	15A	15A	15A	30A at 220 Vac	25A at 220 Vac	25A at 220 Vac	8A at 220 Vac
Material	Silver alloy				AgCdO		AgCdO	
Dielectric strength between poles	1500V	1500V	2500V	2500V	4000V		4000V	
Coil Data								
AC	6–240 Vac				6–240 Vac		24–240 Vac	
DC	6–110 Vdc				12–24 Vdc		12–110 Vdc	
Power								
VA (Vac)	1.2 VA	1.2 VA	1.5 VA	1.5 VA	2.5 VA		2.6 VA	
Watts (Vdc)	0.9 Watts	0.9 Watts	1.4 Watts	1.5 Watts	1.9 Watts		2.0 Watts	
General Data								
Ambient temperature								
Storage	–40° to 185°F (–40° to 85°C)				–4° to 185°F (–20° to 85°C)		–13° to 140°F (–25° to 60°C)	
Operational	–40° to 131°F (–40° to 55°C)				–4° to 131°F (–20° to 55°C)		–13° to 140°F (–25° to 60°C)	
Response time	20 milliseconds (30 milliseconds for latching)				30 milliseconds		50 milliseconds	
Life								
Mechanical operations	10 million				5 million		1 million	
Electrical operations	100,000	100,000	200,000	200,000	100,000		100,000	

For our complete product offering, see Volume 7—Logic Control, Operator Interface and Connectivity Solutions, CA08100008E and PG05400001E.

3.1

Logic Devices

Relays

3

General Purpose Plug-In Relays—D7 Series



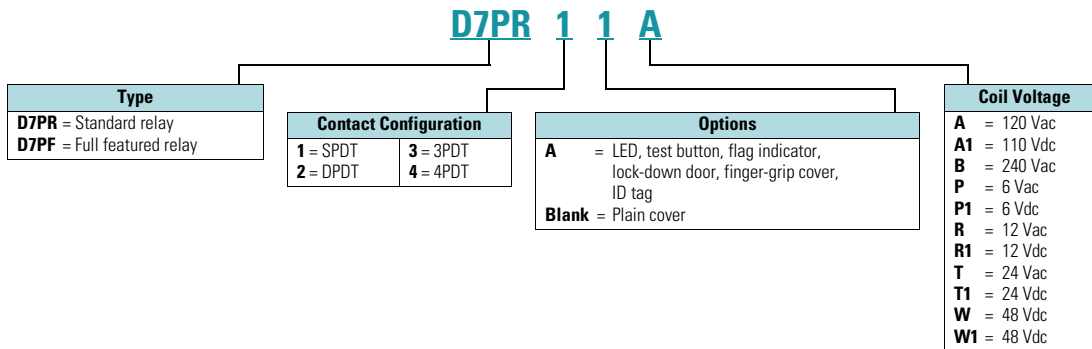
Features

- Arc barrier equipped relay with high dielectric strength
- Panel, DIN rail and flange mounting

Catalog Number Selection

General Purpose Plug-In Relays—D7 Series

D7 Series ①



Product Selection

D7 Relay/Socket Quick Reference

Relay Type	Socket/Adapter	Clip
D7PR1	D7PAA	PQC-1342
D7PR2		PQC-1349
D7PF1	D7PA9	PQC-1342
D7PF2	PFC-D2D72	—
D7PR3	D7PAB	PQC-1783 PMC-1783
D7PF3	PFC-D73	—
D7PR4	D7PAD	PQC-1784 PMC-1784
D7PF4	PFC-D74	—

Note

- ① For deciphering catalog numbers.
Do not use for ordering as not all combinations are readily available.

General Purpose Plug-In Relays—D7

Coil Voltage	Contact Configuration	Coil Resistance (Ohms)	Catalog Number
Full Featured			
120 Vac	SPDT	4,430	D7PF1AA
6 Vac	SPDT	9.6	D7PF1AP
6 Vdc	SPDT	40	D7PF1AP1
12 Vac	SPDT	46	D7PF1AR
24 Vdc	SPDT	650	D7PF1AT1
48 Vac	SPDT	788	D7PF1AW
48 Vdc	SPDT	2,600	D7PF1AW1
120 Vac	DPDT	4,430	D7PF2AA
110/125 Vdc	DPDT	11,000	D7PF2AA1
220/240 Vac	DPDT	15,720	D7PF2AB
6 Vac	DPDT	9.6	D7PF2AP
6 Vdc	DPDT	40	D7PF2AP1
12 Vac	DPDT	46	D7PF2AR
12 Vdc	DPDT	160	D7PF2AR1
24 Vac	DPDT	180	D7PF2AT
24 Vdc	DPDT	650	D7PF2AT1
48 Vac	DPDT	788	D7PF2AW
48 Vdc	DPDT	2,600	D7PF2AW1
120 Vac	3PDT	2,770	D7PF3AA
6 Vac	3PDT	6	D7PF3AP
6 Vdc	3PDT	25	D7PF3AP1
12 Vac	3PDT	25.3	D7PF3AR
24 Vac	3PDT	103	D7PF3AT
24 Vdc	3PDT	400	D7PF3AT1
48 Vac	3PDT	412	D7PF3AW
48 Vdc	3PDT	1,600	D7PF3AW1
120 Vac	4PDT	2,220	D7PF4AA
110/125 Vdc	4PDT	7,340	D7PF4AA1
240 Vac	4PDT	9,120	D7PF4AB
6 Vac	4PDT	5.4	D7PF4AP
6 Vdc	4PDT	24	D7PF4AP1
12 Vac	4PDT	21.2	D7PF4AR
12 Vdc	4PDT	96	D7PF4AR1
24 Vac	4PDT	84.5	D7PF4AT
24 Vdc	4PDT	388	D7PF4AT1
48 Vdc	4PDT	1,550	D7PF4AW
48 Vac	4PDT	410	D7PF4AW1

Coil Voltage	Contact Configuration	Coil Resistance (Ohms)	Catalog Number
Plain Cover			
120 Vac	SPDT	4,430	D7PR1A
110/125 Vdc	SPDT	11,000	D7PR1A1
220/240 Vac	SPDT	15,720	D7PR1B
6 Vac	SPDT	9.6	D7PR1P
12 dc	SPDT	160	D7PR1R1
24 Vac	SPDT	180	D7PR1T
24 Vdc	SPDT	650	D7PR1T1
48 Vdc	SPDT	2600	D7PR1W1
120 Vac	DPDT	4,430	D7PR2A
110/125 Vdc	DPDT	11,000	D7PR2A1
220/240 Vac	DPDT	15,720	D7PR2B
6 Vac	DPDT	9.6	D7PR2P
6 Vdc	DPDT	40	D7PR2P1
12 Vac	DPDT	46	D7PR2R
12 Vdc	DPDT	160	D7PR2R1
24 Vac	DPDT	180	D7PR2T
24 Vdc	DPDT	650	D7PR2T1
120 Vac	3PDT	2,770	D7PR3A
240 Vac	3PDT	12,100	D7PR3B
6 Vac	3PDT	6	D7PR3P
12 Vac	3PDT	25.3	D7PR3R
12 Vdc	3PDT	100	D7PR3R1
24 Vac	3PDT	103	D7PR3T
24 Vdc	3PDT	400	D7PR3T1
48 Vdc	3PDT	1,600	D7PR3W1
120 Vac	4PDT	2,220	D7PR4A
110/125 Vdc	4PDT	7,340	D7PR4A1
240 Vac	4PDT	9,120	D7PR4B
6 Vac	4PDT	5.4	D7PR4P
24 Vac	4PDT	84.5	D7PR4T
24 Vdc	4PDT	388	D7PR4T1
48 Vdc	4PDT	1,550	D7PR4W1

Accessories

D7 Sockets and Accessories

Type	Standard Pack	Catalog Number
Socket	—	D7PAA ①
Socket	1	D7PA9
Socket	—	D7PAD ①
Socket	—	D7PAB ①
Flange mount adapter	25	PFC-D2D72
Flange mount adapter	25	PFC-D73
Flange mount adapter	25	PFC-D74

Note

① Protection category (finger safe) EN 60529 IP20.

Type	Standard Pack	Catalog Number
Metal spring clip	25	PQC-1342
Plastic ID clip	10	PQC-1349
Metal spring clip	25	PQC-1784
Plastic ID clip	10	PMC-1784
Hold-down spring	25	PYC-B2
Metal spring clip	10	PQC-1783
Plastic ID clip	10	PMC-1783