

**Pushbuttons—Non-Illuminated and Illuminated**



**Contents**

**Description**

**Page**

|   |                 |
|---|-----------------|
| Pushbuttons—Non-Illuminated and Illuminated |                 |
| Non-Illuminated, Flush, Momentary           | <b>V7-T1-53</b> |
| Non-Illuminated, Flush, Maintained          | <b>V7-T1-56</b> |
| Non-Illuminated, Extended, Momentary        | <b>V7-T1-58</b> |
| Non-Illuminated, Extended, Maintained       | <b>V7-T1-60</b> |
| Illuminated, Flush, Momentary               | <b>V7-T1-63</b> |
| Illuminated, Flush, Maintained              | <b>V7-T1-66</b> |
| Illuminated, Extended, Momentary            | <b>V7-T1-68</b> |
| Illuminated, Extended, Maintained           | <b>V7-T1-70</b> |

**Pushbuttons—Non-Illuminated and Illuminated**

**Product Description**

Eaton’s M22 pushbutton line is a complete, modular and versatile offering. From field-convertible maintained operators to customizable laser engraved buttons, the M22 pushbutton line provides endless opportunity for flexibility and reduced inventory. Each operator type provides options for ordering as complete or component parts allowing for a perfect fit for each application. All of this flexibility comes in a very rugged design.

**Features**

- Field convertible from maintained to momentary (available on maintained pushbuttons only)
- Customizable laser engraving on all buttons
- LED offering only for improved brightness quality and up to 100,000 hours of operation
- More than five million mechanical operations on momentary and 1 million on maintained pushbuttons
- Modular construction makes assembly fast and simplifies stocking of components and complete devices
- Capable of communicating via ASi protocol with ASi adapter modules

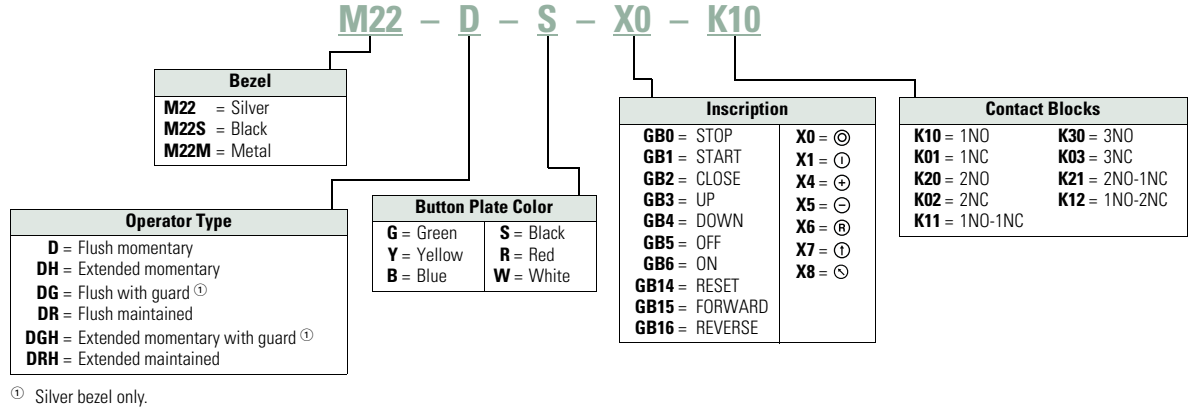
**Protection Type**

- IP67, IP69K
- NEMA 4X, 13

**Catalog Number Selection**

Catalog Number Selection is for illustrative purposes only and not to be used to create new catalog numbers.

**Non-Illuminated Pushbuttons**



**Product Selection**

**Non-Illuminated Pushbuttons, Flush, Momentary**

M22-D-G-K10



M22S-D-G-K10



M22M-D-G-K10



**Complete Devices**

| Button Color | Contact Block Configuration <sup>①</sup> | Silver Bezel Catalog Number | Black Bezel Catalog Number | Metal Bezel Catalog Number |
|--------------|--|-----------------------------|----------------------------|----------------------------|
| Black        | NO                                       | M22-D-S-K10                 | M22S-D-S-K10               | M22M-D-S-K10               |
|              | NC                                       | M22-D-S-K01                 | M22S-D-S-K01               | M22M-D-S-K01               |
|              | 2NO                                      | M22-D-S-K20                 | M22S-D-S-K20               | M22M-D-S-K20               |
|              | 2NC                                      | M22-D-S-K02                 | M22S-D-S-K02               | M22M-D-S-K02               |
|              | 1NO-1NC                                  | M22-D-S-K11                 | M22S-D-S-K11               | M22M-D-S-K11               |
| Red          | NO                                       | M22-D-R-K10                 | M22S-D-R-K10               | M22M-D-R-K10               |
|              | NC                                       | M22-D-R-K01                 | M22S-D-R-K01               | M22M-D-R-K01               |
|              | 2NO                                      | M22-D-R-K20                 | M22S-D-R-K20               | M22M-D-R-K20               |
|              | 2NC                                      | M22-D-R-K02                 | M22S-D-R-K02               | M22M-D-R-K02               |
|              | 1NO-1NC                                  | M22-D-R-K11                 | M22S-D-R-K11               | M22M-D-R-K11               |
| Green        | NO                                       | M22-D-G-K10                 | M22S-D-G-K10               | M22M-D-G-K10               |
|              | NC                                       | M22-D-G-K01                 | M22S-D-G-K01               | M22M-D-G-K01               |
|              | 2NO                                      | M22-D-G-K20                 | M22S-D-G-K20               | M22M-D-G-K20               |
|              | 2NC                                      | M22-D-G-K02                 | M22S-D-G-K02               | M22M-D-G-K02               |
|              | 1NO-1NC                                  | M22-D-G-K11                 | M22S-D-G-K11               | M22M-D-G-K11               |

**Note**

<sup>①</sup> All NC contact blocks are positively driven contact. ⊖

#### 1

#### Non-Illuminated Pushbuttons, Flush, Momentary

##### M22-D-G



##### Operators Only <sup>①</sup>

| Button Color | Inscription | Silver Bezel Catalog Number | Black Bezel Catalog Number   | Metal Bezel Catalog Number   |
|--------------|-------------|-----------------------------|------------------------------|------------------------------|
| Black        | —           | M22-D-S                     | M22S-D-S                     | M22M-D-S                     |
| Red          | —           | M22-D-R                     | M22S-D-R                     | M22M-D-R                     |
|              | STOP        | M22-D-R-GB0                 | M22S-D-R-GB0                 | —                            |
|              | Ⓢ           | M22-D-R-X0                  | M22S-D-R-X0                  | M22M-D-R-X0                  |
| Green        | —           | M22-D-G                     | M22S-D-G                     | M22M-D-G                     |
|              | START       | M22-D-G-GB1                 | M22S-D-G-GB1                 | M22M-D-G-GB1                 |
|              | Ⓛ           | M22-D-G-X1                  | M22S-D-G-X1                  | M22M-D-G-X1                  |
| White        | —           | M22-D-W                     | M22S-D-W                     | M22M-D-W                     |
| Blue         | —           | M22-D-B                     | M22S-D-B                     | M22M-D-B                     |
| Yellow       | —           | M22-D-Y                     | M22S-D-Y                     | M22M-D-Y                     |
| —            | —           | M22-D-X-SRSG <sup>②</sup>   | M22S-D-X-SRSG <sup>②</sup>   | M22M-D-X-SRSG <sup>②</sup>   |
| —            | —           | M22-D-X-SWRGYB <sup>③</sup> | M22S-D-X-SWRGYB <sup>③</sup> | M22M-D-X-SWRGYB <sup>③</sup> |

##### M22S-D-G



##### M22M-D-G



##### M22-DG-G



##### Silver Guarded

| Button Color | Inscription | Silver Bezel Catalog Number  |
|--------------|-------------|------------------------------|
| Black        | —           | M22-DG-S                     |
| Red          | —           | M22-DG-R                     |
| Green        | —           | M22-DG-G                     |
| White        | —           | M22-DG-W                     |
| Blue         | —           | M22-DG-B                     |
| Yellow       | —           | M22-DG-Y                     |
| —            | —           | M22-DG-X-SRSG <sup>②</sup>   |
| —            | —           | M22-DG-X-SWRGYB <sup>③</sup> |

##### Notes

- <sup>①</sup> Includes contact block mounting adapter.
- <sup>②</sup> Buttonless operator comes with three color buttons (black, red, green).
- <sup>③</sup> Buttonless operator comes with all six color buttons (black, white, red, green, yellow, blue).