

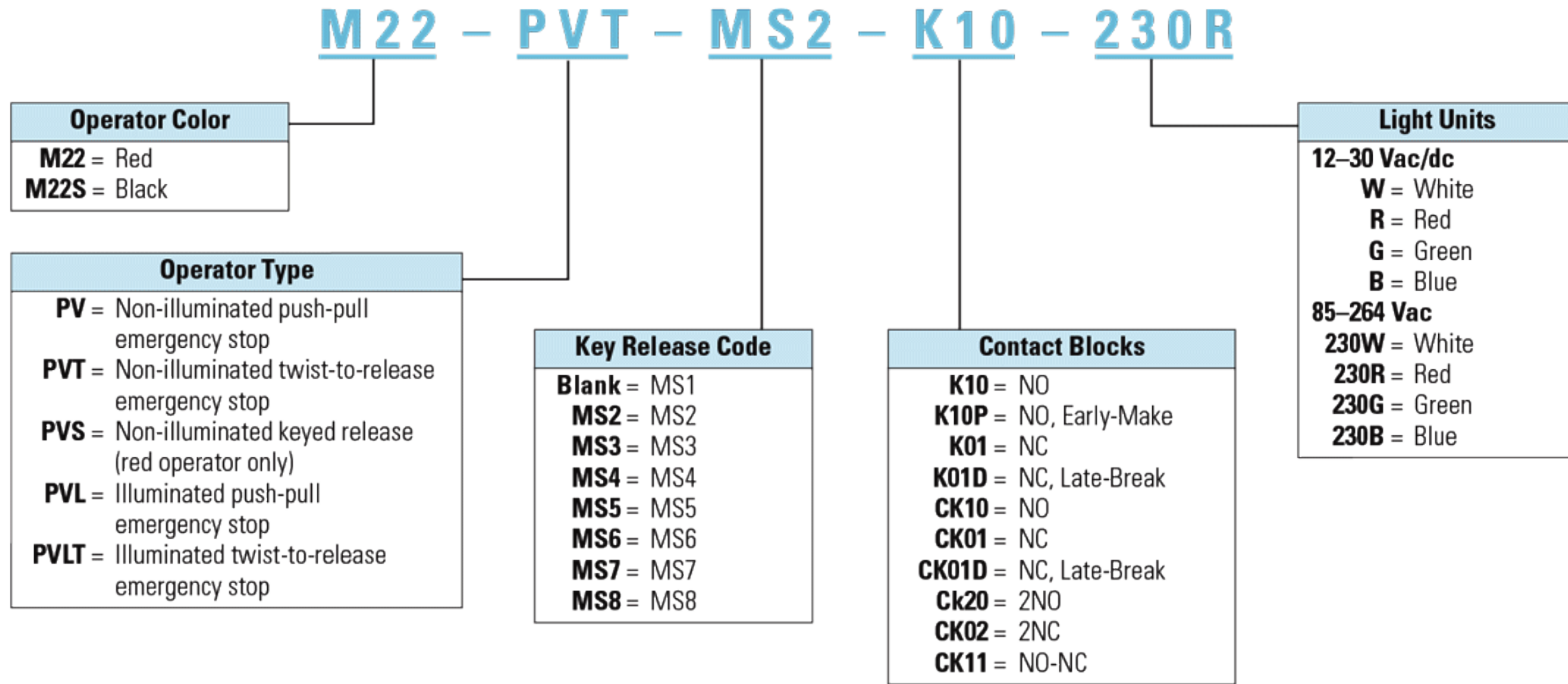
# 47.4

## Pushbuttons and Indicating Lights

### M22 Modular Pushbuttons

#### Catalog Number Selection

##### Emergency Stops



**Note:** Catalog Number Selection is for illustrative purposes only and not to be used to create new catalog numbers.

#### Product Selection

##### Non-Illuminated Emergency Stops

###### Complete Devices

**M22-PV-K01**



Type	Color	Contact Block Configuration	Catalog Number
Push-Pull	Red	NC	<b>M22-PV-K01</b>
		2NC	<b>M22-PV-K02</b>
		1NO-2NC	<b>M22-PV-K12</b>
Twist-to-Release	Red	NC	<b>M22-PVT-K01</b>
		2NC	<b>M22-PVT-K02</b>
		1NO-2NC	<b>M22-PVT-K12</b>
Key Release	Red	NC	<b>M22-PVS-K01</b>
		2NC	<b>M22-PVS-K02</b>
		1NO-2NC	<b>M22-PVS-K12</b>

**Note**

① Discount Symbol: **1CD1**.