

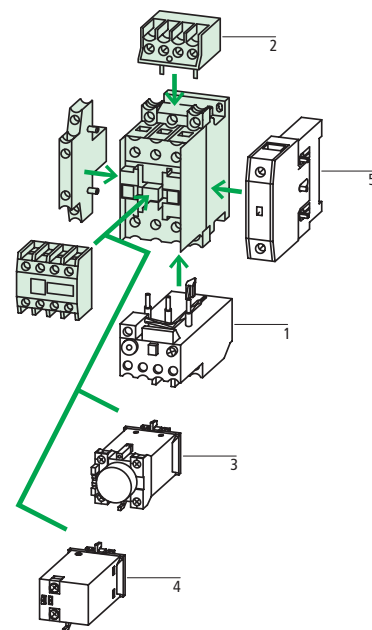
# DIL Contactors

## Basic Devices, Modules

UL / CSA / IEC / CE

Combination options	AC operation		DC operation	
	Type Article No.	Price see price list	Type Article No.	Price see price list
	Coil voltages shown in (...) For other coil voltages, → page 03/065		Coil voltages shown in (...) For other coil voltages, → page 03/065	
● -	DIL00M(120V60HZ) 060477		DIL00M-G(24VDC) 048587	
● -	DIL00M-10(120V60HZ) 046643		DIL00M-G-10(24VDC) 048670	
● -	DIL00M-01(120V60HZ) 046651		DIL00M-G-01(24VDC) 048665	
● -	DIL00AM(120V60HZ) 061222		DIL00AM-G(24VDC) 048567	
● -	DIL00AM-10(120V60HZ) 046675		DIL00AM-G-10(24VDC) 048650	
● -	DIL00AM-01(120V60HZ) 046683		DIL00AM-G-01(24VDC) 048645	
- ● <sup>3)</sup>	DIL0M(120V60HZ) 061254		DIL0M-G(24VDC) <sup>3)</sup> 048597	
- ● <sup>3)</sup>	DIL0AM(120V60HZ) 061262		DIL0AM-G(24VDC) <sup>3)</sup> 048592	
- ●	DIL1M(120V60HZ) 061270		DIL1M-G(24VDC) 048605	
- ●	DIL1AM(120V60HZ) 061427		DIL1AM-G(24VDC) 048602	
- ●	DIL2M(120V60HZ) 046563		DIL2M-G(24VDC) 048615	
- ●	DIL2AM(120V60HZ) 046571		DIL2AM-G(24VDC) 048610	
● -	DIL00M4(120V60HZ) 046926		DIL00M4-G(24VDC) 063171	
- ●	DILM820-XHI11-SI 208281		DILM820-XHI11-SI 208281	
- ●	DILM820-XHI11V-SI <sup>2)</sup> 208283		DILM820-XHI11V-SI <sup>2)</sup> 208283	
- ●	10SDILM 089080		10SDILM 089080	
- ●	01SDILM 001930		01SDILM 001930	
- ●	11SDILM 024626		11SDILM 024626	
● ●	11DILM 017507		11DILM 017507	
● ●	22DILM 019880		22DILM 019880	
● ●	31DILM 022253		31DILM 022253	
● ●	22DDILM <sup>2)</sup> 026999		22DDILM <sup>2)</sup> 026999	

### Notes



### Accessories

Accessories	Page
1 Overload relay	04/004
2 Interface module or suppressor module	03/059 03/053
3 Pneumatic timer module	03/057
4 Mechanical latching module	03/057
5 Additional 4th pole (DIL0M(-G) to DIL2AM(-G))	03/057
Additional auxiliary contact modules	02/010
Accessories	03/053
Other operating voltages	03/065 03/066

DILM820-XHI... auxiliary contacts cannot be combined with auxiliary contact module ...SDILM

Auxiliary contacts for side mounting can be combined with auxiliary contacts for top mounting up to a maximum of 5 contacts.

Maximum of one side-mounting auxiliary contact module on either side.

### Notes:

- 1) Do not reverse directly
- 2) 1 early-make contact, 1 late-break contact
- 3) Do not combine a DIL0(A)M-G with a DILM820-XHI...