

## D7 Series Relay



## D7PR/D7PF Series

## Product Description

The D7 Series is a cost-effective control relay with high dielectric strength and high current-carrying capacity.

## Features

**D7PR**


- Arc barrier equipped relay with high dielectric strength
- Panel and DIN rail mounting

## Contents

| <b>Description</b>                          | <b>Page</b>    |
|---|----------------|
| D1PR/D1PF Series . . . . .                  | <b>T40-46</b>  |
| D2PR/D2PF Series . . . . .                  | <b>T40-51</b>  |
| D3PR/D3PF Series . . . . .                  | <b>T40-61</b>  |
| D4 Series . . . . .                         | <b>T40-71</b>  |
| D5PR/D5PF Series . . . . .                  | <b>T40-75</b>  |
| D7PR/D7PF Series                            |                |
| Catalogue Number Selection . . . . .        | <b>T40-86</b>  |
| Product Selection . . . . .                 | <b>T40-86</b>  |
| Accessories . . . . .                       | <b>T40-89</b>  |
| Technical Data and Specifications . . . . . | <b>T40-90</b>  |
| Wiring Diagrams . . . . .                   | <b>T40-92</b>  |
| Dimensions . . . . .                        | <b>T40-93</b>  |
| D8 Series . . . . .                         | <b>T40-100</b> |
| D9 Series . . . . .                         | <b>T40-106</b> |
| Accessories . . . . .                       | <b>T40-110</b> |

## Standards and Certifications

 File # E37317, E65657

 File # LR217017, LR217069



 RoHS COMPLIANT

**D7PF**

- Flag indicator shows relay status in manual or powered condition
- Bipolar LED status lamp allows for reverse polarity applications
  - Shows coil ON or OFF status
  - Ideal in low light conditions
- Colour-coded pushbutton identifies AC coils with red or DC coils with blue pushbuttons
  - Allows for manual operation of relay without the need for coil power
  - Ideal for field service personnel to test control circuits
- Lock-down door, when activated, holds pushbutton and contacts in the operate position
  - Excellent for analyzing circuit problems
- Finger-grip cover allows operator to remove relays from sockets more easily than conventional relays
- White plastic ID tag/write label used for identification of relays in multi-relay circuits

# 40.4

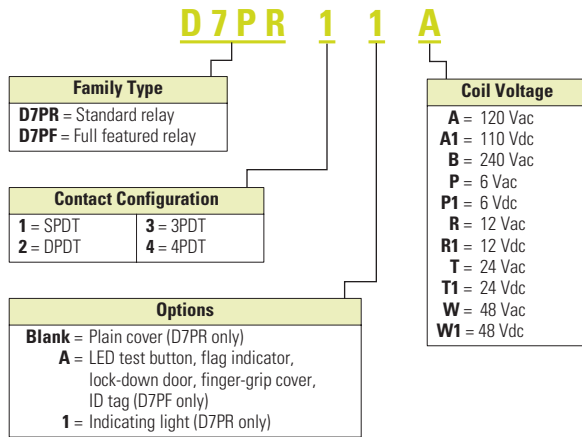
## Control Relays and Timers

### General Purpose Plug-In Relays

40

#### Catalogue Number Selection

##### D7 Series



#### Product Selection

##### D7 Relay/Socket Quick Reference

| Relay Type                    | Socket/Adapter | Clip      | Module Type | ID Tag | Jumper |
|-------------------------------|----------------|-----------|-------------|--------|--------|
| D7PR1, D7PR2,<br>D7PF1, D7PF2 | D7PAA          | PQC-1342  | B           | —      | —      |
|                               |                | PQC-1349  | B           | —      | —      |
|                               | D7PA9          | PQC-1342  | None        | —      | —      |
|                               |                | PFC-D2D72 | —           | None   | —      |
| D7PR3, D7PF3                  | D7PAB          | PQC-1783  | A           | —      | —      |
|                               |                | PMC-1783  | A           | —      | —      |
|                               | PFC-D73        | —         | None        | —      | —      |
| D7PR4, D7PF4                  | D7PAD          | PQC-1784  | A           | —      | —      |
|                               |                | PMC-1784  | A           | —      | —      |
|                               | PFC-D74        | —         | None        | —      | —      |

## D7 Series Relay



## D7 Series

| Coil Voltage         | Contact Configuration | Coil Resistance (Ohms) | Catalogue Number |
|----------------------|-----------------------|------------------------|------------------|
| <b>Full Featured</b> |                       |                        |                  |
| 120 Vac              | SPDT                  | 4430                   | <b>D7PF1AA</b>   |
| 6 Vac                | SPDT                  | 9.6                    | <b>D7PF1AP</b>   |
| 6 Vdc                | SPDT                  | 40                     | <b>D7PF1AP1</b>  |
| 12 Vac               | SPDT                  | 46                     | <b>D7PF1AR</b>   |
| 24 Vdc               | SPDT                  | 650                    | <b>D7PF1AT1</b>  |
| 48 Vac               | SPDT                  | 788                    | <b>D7PF1AW</b>   |
| 48 Vdc               | SPDT                  | 2600                   | <b>D7PF1AW1</b>  |
| 120 Vac              | DPDT                  | 4430                   | <b>D7PF2AA</b>   |
| 110/125 Vdc          | DPDT                  | 11,000                 | <b>D7PF2AA1</b>  |
| 220/240 Vac          | DPDT                  | 15,720                 | <b>D7PF2AB</b>   |
| 6 Vac                | DPDT                  | 9.6                    | <b>D7PF2AP</b>   |
| 6 Vdc                | DPDT                  | 40                     | <b>D7PF2AP1</b>  |
| 12 Vac               | DPDT                  | 46                     | <b>D7PF2AR</b>   |
| 12 Vdc               | DPDT                  | 160                    | <b>D7PF2AR1</b>  |
| 24 Vac               | DPDT                  | 180                    | <b>D7PF2AT</b>   |
| 24 Vdc               | DPDT                  | 650                    | <b>D7PF2AT1</b>  |
| 48 Vac               | DPDT                  | 788                    | <b>D7PF2AW</b>   |
| 48 Vdc               | DPDT                  | 2600                   | <b>D7PF2AW1</b>  |
| 120 Vac              | 3PDT                  | 2770                   | <b>D7PF3AA</b>   |
| 6 Vac                | 3PDT                  | 6                      | <b>D7PF3AP</b>   |
| 6 Vdc                | 3PDT                  | 25                     | <b>D7PF3AP1</b>  |
| 12 Vac               | 3PDT                  | 25.3                   | <b>D7PF3AR</b>   |
| 24 Vac               | 3PDT                  | 103                    | <b>D7PF3AT</b>   |
| 24 Vdc               | 3PDT                  | 400                    | <b>D7PF3AT1</b>  |
| 48 Vac               | 3PDT                  | 412                    | <b>D7PF3AW</b>   |
| 48 Vdc               | 3PDT                  | 1600                   | <b>D7PF3AW1</b>  |
| 120 Vac              | 4PDT                  | 2220                   | <b>D7PF4AA</b>   |
| 110/125 Vdc          | 4PDT                  | 7340                   | <b>D7PF4AA1</b>  |
| 240 Vac              | 4PDT                  | 9120                   | <b>D7PF4AB</b>   |
| 6 Vac                | 4PDT                  | 5.4                    | <b>D7PF4AP</b>   |
| 6 Vdc                | 4PDT                  | 24                     | <b>D7PF4AP1</b>  |
| 12 Vac               | 4PDT                  | 21.2                   | <b>D7PF4AR</b>   |
| 12 Vdc               | 4PDT                  | 96                     | <b>D7PF4AR1</b>  |
| 24 Vac               | 4PDT                  | 84.5                   | <b>D7PF4AT</b>   |
| 24 Vdc               | 4PDT                  | 388                    | <b>D7PF4AT1</b>  |
| 48 Vdc               | 4PDT                  | 1550                   | <b>D7PF4AW</b>   |
| 48 Vac               | 4PDT                  | 410                    | <b>D7PF4AW1</b>  |

D7 Series Relay



## D7 Series, continued

| Coil Voltage                | Contact Configuration | Coil Resistance (Ohms) | Catalogue Number |
|-----------------------------|-----------------------|------------------------|------------------|
| <b>Plain Cover with LED</b> |                       |                        |                  |
| 120 Vac                     | SPDT                  | 4430                   | D7PR11A          |
| 110/125 Vdc                 | SPDT                  | 11,000                 | D7PR11A1         |
| 6 Vac                       | SPDT                  | 9.6                    | D7PR11P          |
| 12 Vac                      | SPDT                  | 46                     | D7PR11R          |
| 12 Vdc                      | SPDT                  | 160                    | D7PR11R1         |
| 24 Vac                      | SPDT                  | 180                    | D7PR11T          |
| 24 Vdc                      | SPDT                  | 650                    | D7PR11T1         |
| 48 Vdc                      | SPDT                  | 2600                   | D7PR11W1         |
| 120 Vac                     | 3PDT                  | 2770                   | D7PR31A          |
| 240 Vac                     | 3PDT                  | 12100                  | D7PR31B          |
| 24 Vac                      | 3PDT                  | 103                    | D7PR31T          |
| 24 Vdc                      | 3PDT                  | 400                    | D7PR31T1         |
| 48 Vdc                      | 3PDT                  | 1600                   | D7PR31W1         |
| 120 Vac                     | 4PDT                  | 2220                   | D7PR41A          |
| 12 Vdc                      | 4PDT                  | 100                    | D7PR41R1         |
| 24 Vdc                      | 4PDT                  | 388                    | D7PR41T1         |
| <b>Plain Cover</b>          |                       |                        |                  |
| 120 Vac                     | SPDT                  | 4430                   | D7PR1A           |
| 110/125 Vdc                 | SPDT                  | 11000                  | D7PR1A1          |
| 220/240 Vac                 | SPDT                  | 15720                  | D7PR1B           |
| 6 Vac                       | SPDT                  | 9.6                    | D7PR1P           |
| 12 Vdc                      | SPDT                  | 160                    | D7PR1R1          |
| 24 Vac                      | SPDT                  | 180                    | D7PR1T           |
| 24 Vdc                      | SPDT                  | 650                    | D7PR1T1          |
| 48 Vdc                      | SPDT                  | 2600                   | D7PR1W1          |
| 120 Vac                     | DPDT                  | 4430                   | D7PR2A           |
| 110/125 Vdc                 | DPDT                  | 11000                  | D7PR2A1          |
| 220/240 Vac                 | DPDT                  | 15720                  | D7PR2B           |
| 6 Vac                       | DPDT                  | 9.6                    | D7PR2P           |
| 6 Vdc                       | DPDT                  | 40                     | D7PR2P1          |
| 12 Vac                      | DPDT                  | 46                     | D7PR2R           |
| 12 Vdc                      | DPDT                  | 160                    | D7PR2R1          |
| 24 Vac                      | DPDT                  | 180                    | D7PR2T           |
| 24 Vdc                      | DPDT                  | 650                    | D7PR2T1          |
| 120 Vac                     | 3PDT                  | 2770                   | D7PR3A           |
| 240 Vac                     | 3PDT                  | 12100                  | D7PR3B           |
| 6 Vac                       | 3PDT                  | 6                      | D7PR3P           |
| 12 Vac                      | 3PDT                  | 25.3                   | D7PR3R           |
| 12 Vdc                      | 3PDT                  | 100                    | D7PR3R1          |
| 24 Vac                      | 3PDT                  | 103                    | D7PR3T           |
| 24 Vdc                      | 3PDT                  | 400                    | D7PR3T1          |
| 48 Vdc                      | 3PDT                  | 1600                   | D7PR3W1          |
| 120 Vac                     | 4PDT                  | 2220                   | D7PR4A           |
| 110/125 Vdc                 | 4PDT                  | 7340                   | D7PR4A1          |
| 240 Vac                     | 4PDT                  | 9120                   | D7PR4B           |
| 6 Vac                       | 4PDT                  | 5.4                    | D7PR4P           |
| 24 Vac                      | 4PDT                  | 84.5                   | D7PR4T           |
| 24 Vdc                      | 4PDT                  | 388                    | D7PR4T1          |
| 48 Vdc                      | 4PDT                  | 1550                   | D7PR4W1          |