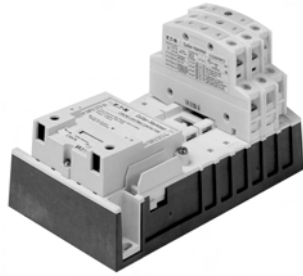


C30CN Mechanically Held and Electrically Held

Components

Electrically Held Base Contactor

The C30CNE20\_0 Electrically Held Base Contactor contains a 2NO power pole as standard and will allow the addition of power poles to build an Electrically Held Contactor up to 12 poles maximum. A Mechanically Held Module Kit can also be added to convert the Electrically Held Contactor into a Mechanically Held Contactor in the field.



Electrically Held Base Contactor

Table E-20. Electrically Held Base Contactor

Power Poles	Catalogue Number ①	Price
2NO	C30CNE20_0	

① When ordering, select required contactor by Catalogue Number and replace the magnet coil alpha designation in the Catalogue Number ( ) with the proper Code Suffix from Table E-21.

Table E-21. Coil Base Voltage (Digit 9)

Voltage (Digit 9)	Code Suffix
115 – 120V 60 Hz/110V 50 Hz	A
230 – 240V 60 Hz/220V 50 Hz	B
460 – 480V 60 Hz/440V 50 Hz	C
575 – 600V 60 Hz/550V 50 Hz	D
200 – 208V 60 Hz	E
265 – 277V 60 Hz/240V 50 Hz	H
24V 60 Hz/20V 50 Hz	T
28V 60 Hz/24V 50 Hz	V
347V 60 Hz	X

Power Poles



Power Poles

The C30CN contactor accepts up to a maximum 6 single- or double-pole (or combinations) power poles. These can be used to form up to:

- 12 NO poles max. when 6 double-poles are used in NO positions (1 – 6) or
- 8 NC poles max. with 4 double-poles in the NC position (1 – 4) and 4 NO poles with 2 double-poles in the 2 NO positions (5 – 6)

Table E-22. Power Poles

Power Poles	Catalogue Number	Price
Single-Pole	C320PRP1	
Double-Pole	C320PRP2	

Mechanically Held Module Kits

These kits are for converting electrically held contactors to mechanically held units. Kits include control module, latch, latch cover and auxiliary contacts plus installation instructions. Conversion kits are suitable for coil voltages of 277V and below.



Conversion Kits

Table E-23. Mechanically Held Module Kits

Coil Volts	Control Volts	Catalogue Number	Price
<b>2-Wire</b>			
24 – 277V AC	110 – 120V AC	C320MH2WA0	
	200 – 277V AC	C320MH2WH0	
	24V AC	C320MH2WT0	
	12 – 24V DC	C320MH2WT1	
<b>3-Wire</b>			
24 – 277V AC	110 – 120V AC	C320MH3WA0	
	200 – 277V AC	C320MH3WH0	
	24V AC	C320MH3WT0	
	12 – 24V DC	C320MH3WT1	

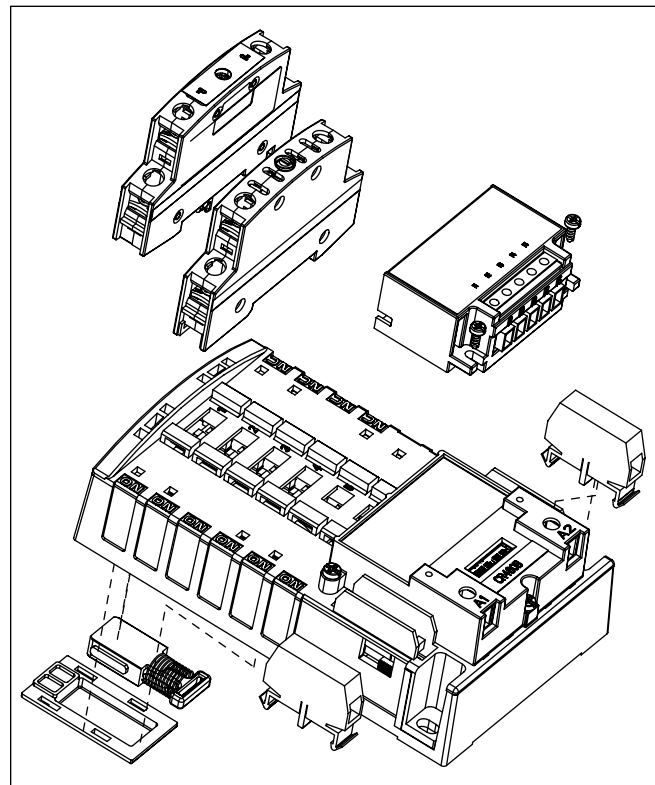


Figure E-4. C30CNM Components — Exploded View

Discount Symbol ..... MC7