

Extra Duty While-in-Use Weather Protective Cover

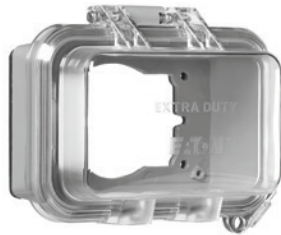
Project Name:	Prepared By:
Project Number:	Date:
Catalog Number:	Type:

Description

- 1-Gang Self-Closing
- 2-Gang Self-Closing

Design features

- Meets NEC® 2014 406.9 (B)(1) Extra Duty requirement for any application
- Rugged UV-resistant polycarbonate cover and back protects devices without cracking or breaking and is non-corrosive
- Self-closing cover
- 1-Gang box includes 3 inserts for 16 different configurations
- 2-Gang box includes 3 inserts for over 60 different configurations
- Box inserts accommodate decorator devices, duplex receptacles, and a variety of single receptacle sizes and toggle switches
- Cover cord opening fits #12 AWG or lighter cord
- Exceeds UL outdoor low voltage landscape lighting requirements
- Box cover includes pre-mounted gasket



WIU-1HX



WIU-1VX



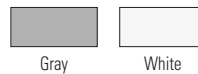
WIU-2X

Table 1. Extra Duty While-in-Use Weather Protective Cover

Catalog No.	Gang	Mounting Description	Color
<input type="checkbox"/> WIU-1HX	1	Horizontal	Gray
<input type="checkbox"/> WIU-1WHX	1	Horizontal	White
<input type="checkbox"/> WIU-1VX	1	Vertical	Gray
<input type="checkbox"/> WIU-1VWX	1	Vertical	White
<input type="checkbox"/> WIU-2X	2	Horizontal/Vertical	Gray
<input type="checkbox"/> WIU-2WX	2	Horizontal/Vertical	White

Compliant with: cULus Listed to UL5140, file no. E33216, meets NEMA 3R requirements

Table 2. Color Ordering Information



Compliances, specifications and availability are subject to change without notice.



Powering Business Worldwide

Project Name:	Prepared By:
Project Number:	Date:
Catalog Number:	Type:

Applications

The 2014 NEC® requires that all receptacle covers installed in wet locations be both extra-duty and weatherproof whether or not the plug is inserted. The extra-duty requirement helps ensure the covers will not be easily broken under heavy abuse. Eaton's Cooper Wiring Devices' extra duty while-in-use weather protective covers are compliant with the 2014 NEC® for any application. This line of cover exceeds UL outdoor low voltage landscape lighting requirements, is UV-resistant and includes inserts to accommodate a variety of devices inside the box.

Table 3. Specifications

Catalog No.	Extra Duty While-In-Use Weather Protective Cover Series
Testing & Code Compliance	cULus Listed to UL514D, file no. E33216 meets NEMA 3R requirements
Environmental Specifications	Flammability: Meets UL94 requirements; V2 rated Temperature Rating: 20°C to 70°C (-4°F to 158°F)

Table 4. Materials

Catalog No.	Extra Duty While-In-Use Weather Protective Cover Series
Clear Cover	Polycarbonate
Back body	Polycarbonate
Cover plates	Polycarbonate
Gasket	EVA
Hinge Pin	Stainless Steel

Compliances, specifications and availability are subject to change without notice.

Product Dimensions

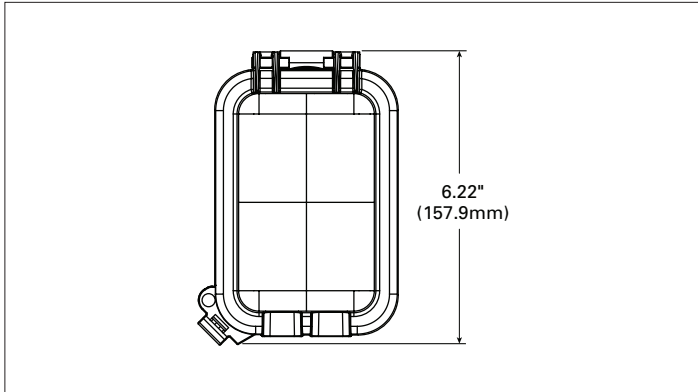


Figure 1. WIU-1X Vertical 1-Gang

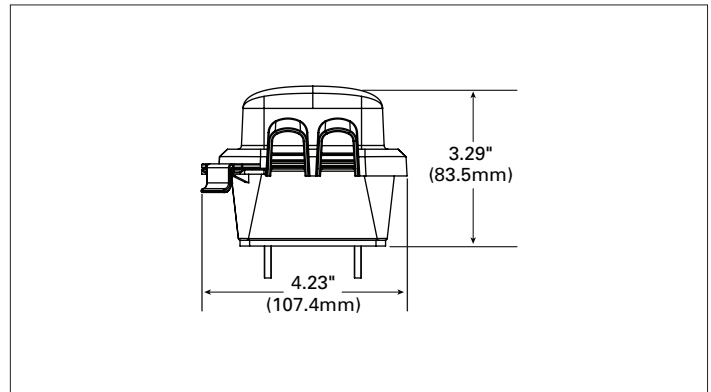


Figure 2. WIU-1X Vertical 1-Gang

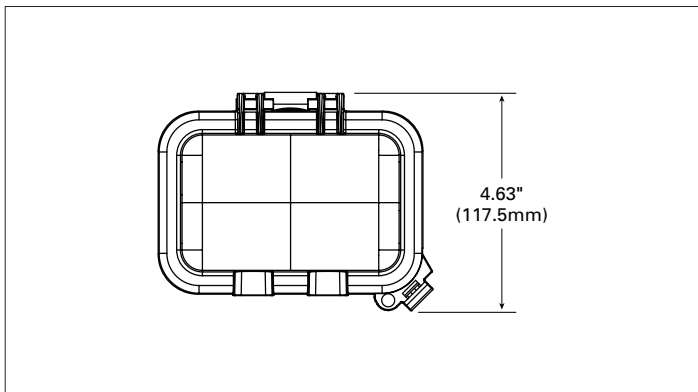


Figure 3. WIU-1HX Horizontal 1-Gang

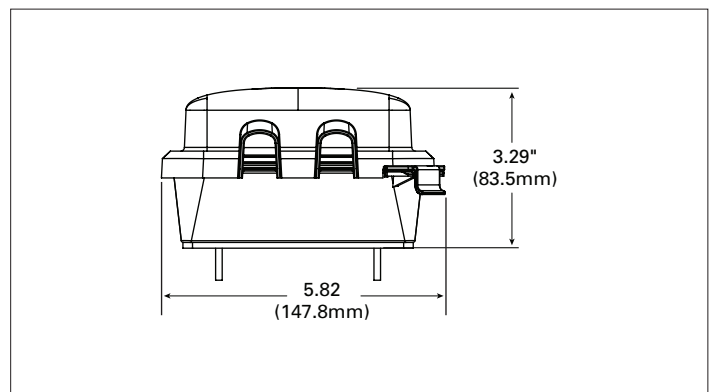


Figure 4. WIU-1HX Horizontal 1-Gang

Technical Data

Effective April 2014

Project Name:	Prepared By:
Project Number:	Date:
Catalog Number:	Type:

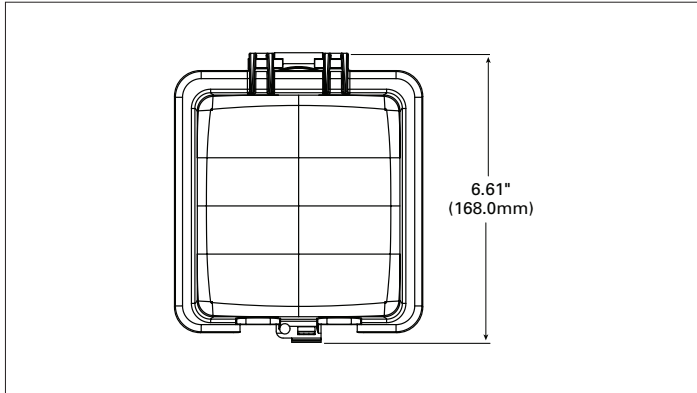


Figure 5. WIU-2X Horizontal/Vertical 2-Gang

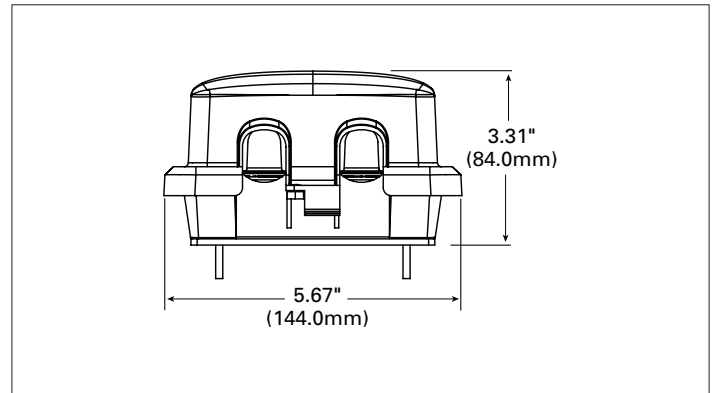


Figure 6. WIU-2X Horizontal/Vertical 2-Gang

Certifications & Compliances

Catalog No.	cULus
WIU-1HX	•
WIU-1WHX	•
WIU-1VX	•
WIU-1WVX	•
WIU-2X	•
WIU-2WX	•

KEY: cULus cULus

Compliances, specifications and availability are subject to change without notice.

Electrical Sector
203 Cooper Circle
Peachtree City, GA 30269
United States
Eaton.com
Cooperwiringdevices.com

Electrical Sector
Canada Operations
5925 McLaughlin Road
Mississauga, Ontario, L5R 1B8
Canada
EatonCanada.ca
Cooperwiringdevices.com

Electrical Sector
Mexico Operations
Carr. Tlalnepantla -
Cuautitlan Km 17.8 s/n
Col. Villa Jardin esq,
Cerrada 8 de Mayo
Cuautitlan, Mexico CP 54800
Mexico
Eaton.mx
Cooperwiringdevices.com

Eaton
1000 Eaton Boulevard
Cleveland, OH 44122
United States
Eaton.com

© 2014 Eaton
All Rights Reserved
Printed in USA
Publication No. E125-0150-14
April 2014



Eaton is a registered trademark.

All other trademarks are property of their respective owners.