

FLIR MPX™

Varifocal HD Eyeball Dome



C134ED
2.1MP HD MPX Varifocal Eyeball Dome Camera



C134EDPK4
2.1MP HD MPX Varifocal Eyeball Dome Cameras
(4-pack)

The FLIR 2.1MP HD Varifocal Dome MPX Camera uses the latest HD-CVI technology to deliver excellent 1080p picture quality over coax cabling. Ideal for retrofit applications, C134ED is compatible with FLIR MPX DVRs offering a hassle-free upgrade to HD without having to run new cabling.

HD PICTURE QUALITY

1080p HD resolution over existing coax

- 2.1MP HD, 1080p @ 25/30fps
- 1/2.7" CMOS image sensor
- 2.8-12mm varifocal lens with 80~30° (H) field of view

EASY INSTALLATION

Upgrade to HD without the expense of re-cabling

- Customizable field of view with varifocal lens
- Extend video up to 1650ft (500m) with a single run of RG6 coax
- 3-axis design for wall/ceiling mounting

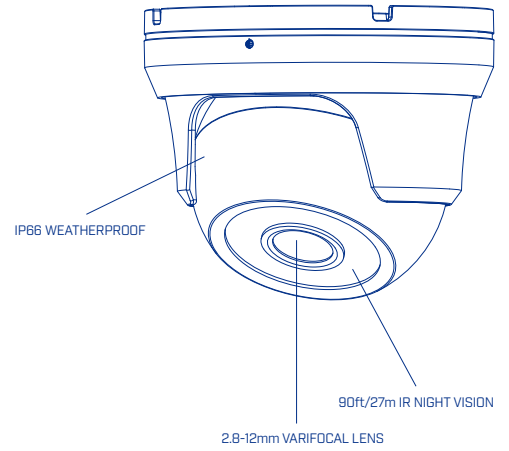
SUPERIOR PERFORMANCE

Advanced & intuitive features with rugged design

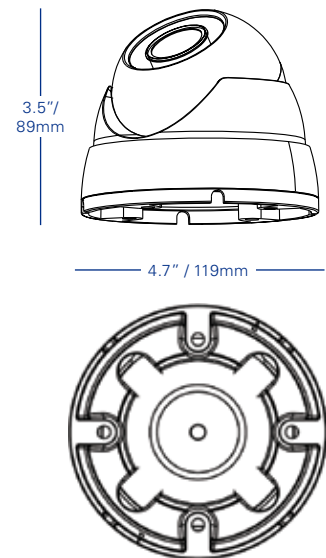
- 90ft (27m) IR night vision range / TDN
- Excellent low light performance
- IP66 weatherproof rated and cold climate capable (-22°F / -30°C)

Specifications

Camera	C134ED
Imaging Device	1/2.7" 2.1MP
Video Format	NTSC / PAL
Effective Pixels	H: 1928 V: 1088
Imager Type	CMOS
Scan System	Progressive Scan
Day/Night	Y
Mechanical IR Cut Filter	Y
Min. Illumination	0.4 lux @ F1.4 (Color) 0.3 lux @ F1.4 (IR OFF)
S/N Ratio	≥41dB (AGC OFF)
Field of View (Horizontal)	80-30°
IR Illumination Range	90ft / 27m
IR Wavelength	840-850nm
IR On/Off Control	N
Video Output	BNC (1080p MPX)
Electronic Shutter Range	1/30 (1/40) ~ 1/100,000
Lens Type	Board Type
Focal Length	2.8-12mm
F-Number	F1.4
Zoom	Y – Manual
Iris Control Type / Adjustment	Electronic / Auto or Manual
Frame Rates	25/30fps
Backlight Compensation	BLC
Wide Dynamic Range	D-WDR
White Balance	ATW / Manual
Gain Control	AGC – 1-20 (Selectable)
Noise Reduction	DNR – 1-15 (Selectable)
Window Blanking	N
Menu Languages	English, Spanish, Italian, Simplified Chinese, Traditional Chinese
Construction	Aluminum Alloy
Product Dimensions (D x H)	3.5 x 4.7" / 90 x 119mm
Product Weight	1.0lbs / 0.5kg
Power Input	12V DC ±10%
Power Consumption	440mA, 5.3W
Built-in Heater	N
Alarm I/O	N
Operating Temperature	-22° ~ 140°F / -30° ~ 60°C
Operating Humidity	≤85% RH
Ingress Protection	IP66
Vandal Resistance	N
Certifications	FCC, CE, ROHS



Dimensions



MARKHAM, ONTARIO

FLIR Systems, Inc.
250 Royal Crest Court
Markham, ON L3R 3S1
Canada
PH: +1 866.344.4674

PORTLAND

Corporate Headquarters
FLIR Systems, Inc.
27700 SW Parkway Ave.
Wilsonville, OR 97070
USA
PH: +1 866.477.3687

www.flir.com/security
NASDAQ: FLIR

Equipment described herein may require US Government authorization for export purposes. Diversion contrary to US law is prohibited. Imagery for illustration purposes only. Specifications are subject to change without notice. ©2016 FLIR Systems, Inc. All rights reserved. [Created 04/01/16]

Ordering Information

C134ED: 8-41430-01264-1
C134EDPK4: 8-41430-01265-8

Package Dimensions

C134ED: 5.9 x 5.9 x 5.3" /
150 x 150 x 135mm
C134EDPK4: 12.1 x 6.2 x 11.2" /
308 x 158 x 285mm