



M316E3C12  
12 Cameras, 16 Channels, 3TB HDD

# FLIR MPX™

## Megapixel Over Coax Security Systems

**The FLIR MPX M3100E Series Bundles** use the latest HD-CVI technology, giving you the flexibility to upgrade security systems to HD resolution using an existing coax cable. Ideal for retrofit, upgrading to HD is now easier than ever. The 12 included dome cameras – 8 fixed lens cameras and 4 varifocal – boast full 1080p HD resolution with long range IR night vision. Plus, download the free FLIR Cloud™ app and take advantage of remote access anywhere you go on your iOS, Android, PC or Mac device.

### HD PICTURE QUALITY

*Experience outstanding 1080p resolution over coax*

- 1/2.7" 2.1MP IR eyeball domes included – 8x 3.6mm fixed lens, 4x 2.8-12mm varifocal lens
- 720p (1280x720) resolution @ real-time (25/30fps per channel), 1080p (1920x1080) @ 15fps
- IR night vision range up to 90ft / 27m (varifocal domes) & 70ft / 21m (fixed domes)

### EASY INSTALLATION

*Upgrade to HD without the expense of re-cabling*

- Standard BNC connection – no networking complexities
- Upgrade analog systems to HD without the expense of re-cabling
- All-in-one DVR & security camera bundles include the full system plus HDD

### SUPERIOR PERFORMANCE

*Virtually no latency, even with extended cable runs*

- Smooth real-time viewing with virtually no video latency
- Extended cable runs of up to 2300ft / 700m (RG6)
- 2-way communication over coax for easy adjustment of camera settings

### QUICK & SECURE REMOTE VIEWING

*Remote access via iOS, Android, PC & Mac with FLIR Cloud™*

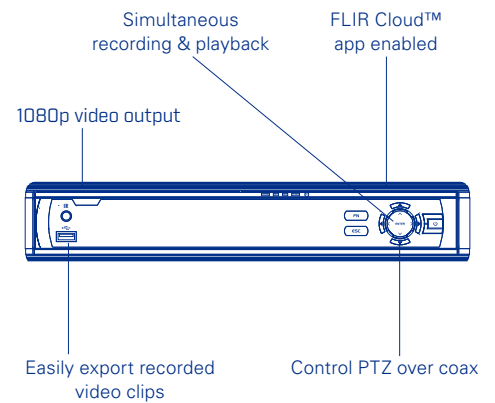
- Set up remote viewing in 3 easy steps: install FLIR Cloud™ app, scan QR code on DVR, and start viewing live video
- Multisite viewing with FLIR Cloud™ CMS for PC & Mac



## Specifications

DVR Specifications System	
Operating System	Linux (embedded)
Pentaplex	Simultaneous view, record, playback, backup & remote monitoring
Number of Channels	16
Inputs/Outputs	
Video IN	16x 1Vp-p, BNC
Video OUT	Yes, 1 VGA & 1 HDMI
VGA OUT	Yes
HDMI	Yes
Audio IN	1 channel (RCA), supports 2-way talk
Audio OUT	1 channel (RCA), supports 2-way talk
USB Port	1 at the back, 1 at the front
Alarm IN	None
Alarm OUT	None
Video Output Resolution	1920x1080 (HDMI), 1280x1024, 1024x768
PTZ Control	RS-485 Pelco D & P Protocol
Display	
Live Display	1, 4, 8, 9, 16
Live Display Speed	480 NTSC, 400 PAL
OSD	ON/OFF
System Navigation	USB mouse, IR remote controller, front panel
Motion Area Setting	Fixed grid 396 (22x18) NTSC & PAL
Sensitivity	100
Firmware Upgrade	Via USB device / network
User Authority	By user group
Time Synchronization	Auto time sync by NTP server
Recording	
Video Compression	H.264
Audio Compression	G.711
Recording Resolution (NTSC)*	1080p (1920x1080), 720p (1280x720), 960x480, 704x480, 352x480, 704x240, 352x240, 176x120
Recording Resolution (PAL)*	1080p (1920x1080), 720p (1280x720), 960x576, 704x576, 352x288, 176x144
Recording Frame Rate	NTSC: 16ch: 240fps@1080p, 480fps@720p PAL: 16ch: 192fps@1080p, 400fps@720p
Recording Resolution Setting	Per camera for different resolutions
Recording Quality Control	5 levels
Recording Schedule	By hour, by day, by recording mode, by motion, by alarm, by channel
Pre Recording	Max. 30 Seconds
Post Recording	Max. 5 min / Min. 10 Sec
Reliability	Watch-Dog, auto-recovery after power failure
Covert Video	Yes
Playback	
Playback	1 / 4 / 8 / 16
Playback Speed	Variable Max 4x
Playback Players	Backup Player
Search	By Time/Date, MD & Exact search (accurate to second)
Log Search	Up to 1,000 lines for motion detected, configuration changes, connects/disconnects and video loss
Audio Play	Yes
Storage & Archive	
Storage	1 HDD (SATA)
Maximum Capacity	Up to 4TB
Backup Media	USB flash drive & HDD & network
Backup File Format	DAV or ASF file

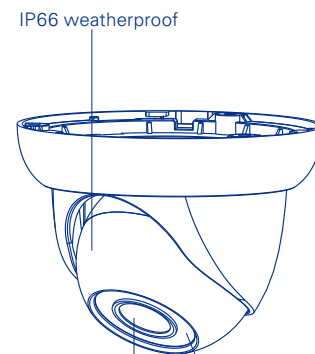
\* 1080p MPX cameras are required to take advantage of 1080p recording. You may need to upgrade the DVR firmware to enable 1080p recording.



## Specifications

DVR Specifications Cont.	
Connectivity	
Cloud Connection	FLIR Cloud™
Supported Operating Systems	Windows™, Mac OSX
Remote Software	Client Software (PC) & Safari (Mac)
Email Notification	Text with snapshot
Instant Smartphone & Tablet Support	FLIR Cloud™ iPad®, iPhone®, Android™ apps
DDNS	Free FLIR DDNS
System Configuration	Full setup configuration over network
Ports	Programmable by User
Network Protocol	HTTP, IPv4/IPv6, TCP/IP, UPNP, RTSP, UDP, SMTP, NTP, DHCP, DNS, PPPOE, DDNS, FTP, IP Filter
Network Interface	10/100-Base-TX, RJ-45
Network Speed Control	96Kb ~ 4096kb/sec. per camera
DVR General Information	
Power Consumption	Approx. 10 watts (No HDD Installed)
Supply Voltage	100VAC-240VAC, 12VDC, 3A, 50/60Hz
Unit Dimensions (W x D x H)	12.8 x 10 x 2.2" / 325 x 255 x 55mm
Unit Weight	3.3lbs / 1.5kg (without HDD)
Operating Temperature	14° ~ 131° F / -10° ~ 55° C
Humidity	10 ~ 90% RH

Camera Specifications	C133EDR (Fixed Domes)	C134ED (Varifocal Domes)
Image Sensor	1/2.7" 2.1MP	
Video Format	NTSC / PAL	
Effective Pixels	H: 1928 V: 1088	
Resolution	1080p	
Scan System	Progressive Scan	
Sync System	Internal	
S/N Ratio	≥41dB (AGC OFF)	
Iris	AES	
AES Shutter Speed	1/30 (1/40) ~ 1/100,000s	
Min. Illumination	0.4 lux @ F1.4 (Color) 0.3 lux (IR OFF)	
Video Output	BNC (1080p MPX)	
Lens Focal Length / Type	3.6mm F2.0 / Fixed	2.8-12mm F1.4 / Varifocal
Field of View (Horizontal)	80°	80-30°
Termination	BNC Type	
IR Range	70ft / 21m	90ft / 27m
Power Requirement	12V DC ±10%	
Power Consumption	325mA, 4W	440mA, 5.3W
Operating Temp. Range	-22° ~ 140°F / -30° ~ 60°C	
Environmental Rating	IP66	
Dimensions (D x H)	3.5 x 4.7" / 90 x 119mm	
Weight	0.9lbs / 0.4kg	



**3.6mm wide angle lens**  
(8x fixed cameras)

**2.8-12mm varifocal lens**  
(4x varifocal cameras)

**70ft / 21m IR night vision** (8x fixed cameras)

**90ft / 27m IR night vision** (4x varifocal cameras)

### Ordering Information

M316E3C12: 8-41430-01342-6

### Package Dimensions

M316E3C12: 17 x 16 x 12.4" /  
432 x 406 x 315mm

### MARKHAM, ONTARIO

FLIR Systems, Inc.  
250 Royal Crest Court  
Markham, ON L3R 3S1  
Canada  
PH: +1 866.344.4674

### PORTLAND

Corporate Headquarters  
FLIR Systems, Inc.  
27700 SW Parkway Ave.  
Wilsonville, OR 97070  
USA  
PH: +1 866.477.3687

[www.flir.com/security](http://www.flir.com/security)  
NASDAQ: FLIR

Equipment described herein may require US Government authorization for export purposes. Diversion contrary to US law is prohibited. Imagery for illustration purposes only. Specifications are subject to change without notice. ©2016 FLIR Systems, Inc. All rights reserved. (Created 03/01/16)