

FLIR MPX™ MULTI-FORMAT

C243EW2

Fixed WDR Eyeball Dome Camera



C243EW2
Fixed WDR Eyeball Dome Camera

The FLIR 2.1MP HD Fixed WDR Eyeball Dome Camera uses the latest MPX multi-format technology compatible with popular analog HD formats* to deliver excellent 1080p picture quality over coax cabling. Ideal for retrofit applications, the camera is compatible with a wide range of analog HD DVRs for maximum flexibility. True WDR capability up to 100dB ensures excellent image quality around-the-clock.

HIGH DEFINITION

High quality 1080p HD video over existing coax

- 2.1MP HD, 1080p @ 25/30 FPS, 1/2.9" CMOS, 2.8mm lens, 82ft / 25m IR

MULTI-FORMAT

Changing video output is made simple through the camera or recorder OSD

- Compatible with popular analog HD formats*
- Backwards compatible with Analog DVRs
- Dual BNC video output – MPX multi-format 1080p / 960H Analog

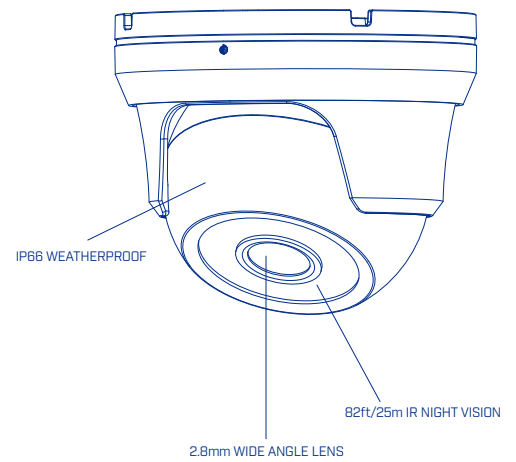
WEATHERPROOF

Installation in any outdoor conditions

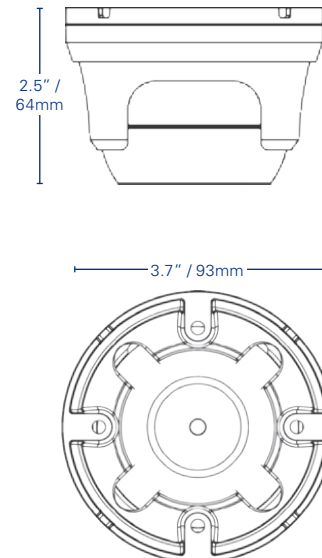
- +1000ft video cable runs supported
- IP66 weatherproof rated
- -22°F / -30°C Cold Climate Capable

Specifications

Camera		C243EW2
Imaging Device	2.1 MP HD Sony Exmor™ 1/2.9"	
Effective Pixels	1985(H) × 1105(V)	
Image Type	CMOS	
Image Readout	Progressive Scan	
Day / Night	Auto (ICR) / Color / B/W	
Mechanical IR Cut Filter	Yes	
Min. Illumination	0.1 lux @ F2.0 (Color) 0.01 lux @ F2.0 (B/W)	
S/N Ratio	≤50dB	
Horizontal Field of View	105° (H) field of view	
IR Illumination Distance	82ft (25m) IR Night Vision	
IR Wavelength	840~850nm	
IR On / Off Control	N	
Video Output	BNC (1080p Multi-format, Digital) BNC (960H, Analog)	
Electronic Shutter Range	1/30~1/60,000	
Optical		
Lens Type	Fixed	
Mount Type	Board Type	
Iris Type	Fixed Iris	
Iris Control Type	AIS	
Focal Length	2.8mm	
Aperture	F2.0	
Optical Zoom	N/A	
Focus	Fixed	
Video		
Frame rates (Maximum)	1080p @ 25/30fps	
Wide Dynamic Range	True WDR, User Adjustable	
Dynamic Range	Up to 100dB	
Backlight Compensation	BLC / HLC	
White Balance	Auto / ATW / Preset / Manual	
Gain Control	Adjustable	
Noise Reduction	3D DNR	
Smart IR	Yes, User Adjustable	
Digital Zoom	N	
Video Mirroring/Rotation	H Flip / V Flip / HV Flip	
Video Overlay	N	
Window Blanking (Privacy)	Up to 16 Areas	
Defog	On/Off	
Menu Languages	English, German, French, Spanish, Russian, Polish, Portuguese, Italian	
Mechanical		
Material	Aluminum Alloy	
Product Dimensions (Dia × H)	3.7" D × 2.5" H 93mm D × 64mm H	
Product Weight	0.9lbs / 0.4kg	



Dimensions



Specifications

Electrical	
Analog Video Out (service only)	Y
Power Input	12V DC
Power Consumption (maximum)	5.2W
Current Consumption (maximum)	430mA
Additional Features	
Built-in Heater	N/A
Audio I/O	N/A
Alarm I/O	N/A
Environmental	
Storage Temperature	-40°F ~ +140°F / -40°C ~ +60°C
Storage Humidity	Less than 95% RH
Operating Temperature	-22°F ~ +140°F / -30°C ~ +60°C
Operating Humidity	Less than 85% RH
Cold Start Temperature	-22°F / -30°C
Ingress Protection	IP66 Rated
Vandal Resistance	No
Certifications	
Certifications	CE / FCC / RohS

Available Accessories:

C243EW2	
Junction Box	S1JF2G or S4JF1G
Wall Mount	S1WA1G
Pole Mount	S4PA2G + S1WA1G or S4PA2G + S1JF2G

Ordering Information

C243EW2: 8-41430-01419-5

Package Dimensions

5.2" W x 5.2" D x 4.5" H
132mm W x 132mm D x 114mm H

MARKHAM, ONTARIO

FLIR Systems, Inc.
250 Royal Crest Court
Markham, ON L3R 3S1
Canada
PH: +1 866.344.4674

www.flir.com/security
NASDAQ: FLIR

PORTLAND

Corporate Headquarters
FLIR Systems, Inc.
27700 SW Parkway Ave.
Wilsonville, OR 97070
USA
PH: +1 866.477.3687

Equipment described herein may require US Government authorization for export purposes. Diversion contrary to US law is prohibited. Imagery for illustration purposes only. Specifications are subject to change without notice. ©2017 FLIR Systems, Inc. All rights reserved. (Created 02/21/17). (16-0892-SEC).