

N

PAR18 MINI REMOTE

Plastic Construction

Single, Double or Triple

6V, 12V & 24V Lamps in LED, Quartz & Tungsten

Approvals:
CSA Certified to C22.2 #141.15



DESCRIPTION

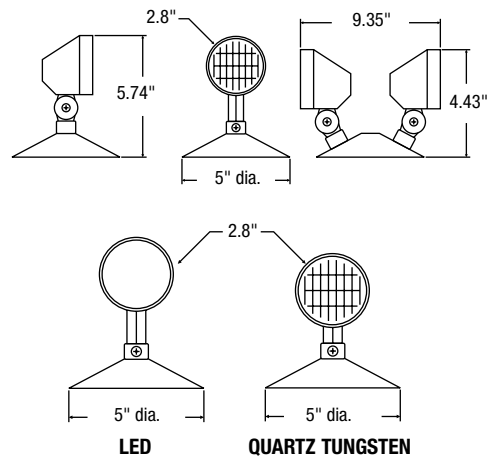
The N series of commercial thermoplastic PAR18 remotes provides the perfect balance of value and performance. The heads are fully adjustable and both tilt and swivel are lockable. The standard canopy is designed to mount directly to typical electrical junction boxes. Available in 6V, 12V and 24V models, utilizing either LED (bi-pin based), tungsten (wedge based) or quartz halogen (bi-pin based) lamps.

MECHANICAL

- UV stabilized, high impact thermoplastic, composite head construction
- Fully adjustable - both tilt and swivel
- 5" diameter thermoplastic canopy standard
- Two recessed canopy mounting holes designed to match standard electrical junction boxes
- White color is standard, black is optional
- Variety of lamp options:
 - 6VDC, 12VDC or 24VDC
 - Tungsten lamps - wedge based
 - Quartz halogen lamps - bi-pin based
 - LED lamps - bi-pin based

Stanpro's LED current technology ensures the lumens output remains constant throughout the battery's discharge whether at 6V or 12V applications.

DIMENSIONS



ORDERING GUIDE – LED

Series	Number of heads	Voltage	Wattage	Lamp type	Color	Options†
N	1 - Single head 2 - Double head 3 - Triple head 4 - Quad head (require 12" dia. canopy)	6-12 - 6VDC to 12VDC operational	3W - 3 watts 4W - 4 watts	LJ - LED	WHT - White (standard) BLK - Black	LCP, VDR, WRG, LXG
		6-24 - 6VDC to 24VDC operational	5W - 5 watts	LA - LED		
		12-24 - 12VDC to 24VDC operational	6W - 6 watts 7W - 7 watts	LA - LED		
		24 - 24VDC	4W - 4 watts	LR - LED		

† For detailed options descriptions, please consult the options page.

ORDERING GUIDE – INCANDESCENT

Series	Number of heads	Voltage	Lamp	Color	Options†
N	1 - Single head 2 - Double head 3 - Triple head 4 - Quad head (require 12" dia. canopy)	06V - 6VDC 12V - 12VDC 24V - 24VDC	See lamp selection chart below	WH - White (standard) BK - Black	LCP, WG, LG

† For detailed options descriptions, please consult the options page.

INCANDESCENT LAMP SELECTION

	6 Volts	12 Volts	24 Volts
PAR18 - Small Head			
Quartz halogen	08Q, 10Q, 12Q	10Q, 12Q	12Q
Tungsten	09T	9T, 18T	9T, 18T