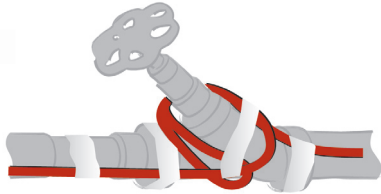




# TTS™

## Self-Regulating Heating Cable for Pipe Freeze Protection

### 4 Ordering Information



### Certifications / Approvals:

Canadian Standards Association  
 Ordinary Locations  
 Hazardous (Classified) Locations  
 Class I, Division 2, Groups A, B, C and D  
 Class II, Division 2, Groups F and G  
 Meets or exceeds - IEEE 515, 515.1 - UL 1588  
 CSA 130.1, CSA 130.2, CSA 138



### Description:

TTS cut-to-length self-regulating heating cables are designed to provide freeze protection to metallic and non-metallic piping. Whether the application is a small project or a complex network, designing an electric heat trace system is easy with TTS heater cable.

Please refer to the TTS design guide for Pipe Freeze Protection on page 12 of this catalogue for full details.

TTS Cables are approved for use in ordinary (non-classified) and hazardous (classified) areas.

### Areas of Application:

- Freeze protection or low temperature maintenance
- Metallic or non-metallic piping, tanks and equipment
- Sewage pipes, intake and drain lines (external tracing only)
- Water meters and outside pipes/taps
- Water pipes in unheated areas
- Sprinkler Systems
- Refrigeration

\* For pipe freeze protection add thermal insulation for a complete installation

### Ratings:

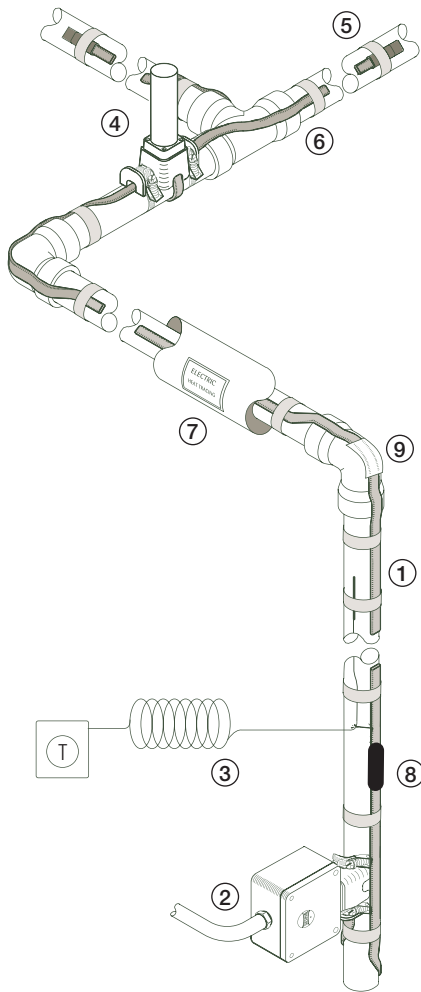
Available watt densities.....	16, 26, 33 w/m @ 10° C (5, 8, 10 w/ft @50° F)
Supply Voltages.....	110-120 or 208-277 Vac
Max. Maintenance temperature.....	65° C (150° F)
Max. Continuous exposure temperature	
Power off.....	85° C (185° F)
Minimum installation temperature.....	-51° C (-60° F)
Minimum bend radius.....	32 mm (1.25")
T-rating.....	T6 85° C (185° F)



## TTS™ Self-Regulating Heating Cable for Pipe Freeze Protection

### Basic Components:

A TTS freeze protection heat tracing system will typically include heating cable and components shown in the illustration and TTS ordering information table below. Please refer to page 54 for detailed accessory information.



Ref #	Part Number	Description
<b>Cable</b>		
1	TTS-5-1-OJ	5 W/FT @ 120V (500 / 1000 foot spools)
1	TTS-8-1-OJ	8 W/FT @ 120V (500 / 1000 foot spools)
1	TTS-10-1-OJ	10 W/FT @ 120V (500 / 1000 foot spools)
1	TTS-5-2-OJ	5 W/FT @ 240V (500 / 1000 foot spools)
1	TTS-8-2-OJ	8 W/FT @ 240V (500 / 1000 foot spools)
1	TTS-10-2-OJ	10 W/FT @ 240V (500 / 1000 foot spools)
<b>Termination Kits</b>		
2	18-SXG-KIT <sup>1</sup>	Power Connection Gland Kit w/o Junction Box
2	ECA-1-SR-SP	Metallic Power Connection Kit (Ordinary & Div 2 Approved) with Junction Box
4	ECT-2-SR	Metallic T-Splice Kit (Ordinary & Div 2 Approved) with Junction Box
2	PCA-1-SR	Non-metallic Power Connection Kit (Ordinary & Div 2 Approved) with Junction Box
4	PCS-1-SR	Non-metallic T-Splice Kit (Ordinary & Div 2 Approved) with Splice Cover
8	HS-PBSK	Inline Heat Shrink Splice Kit (Under Insulation)
4	HS-TBSK	T-Splice Heat Shrink Kit (Under Insulation)
5	ET-6C	End Termination Kit (Ordinary & Div 2 Approved)
<b>Installation Accessories</b>		
6	BTape	Binding / Attachment Tape (1/2" X 60 yds)
7	CL	Caution Labels (25 Per Pack)
9	AL-20P	Aluminum Tape (2" X 150') for non-metallic pipe
<b>Controls</b>		
3	R1-050-DP	Indoor Thermostat
3	R3C-0120-DP	Weatherproof Indoor / Outdoor Thermostat

1. Junction box supplied by installer