

HPS Spartan® Industrial Open-Style Control Transformer

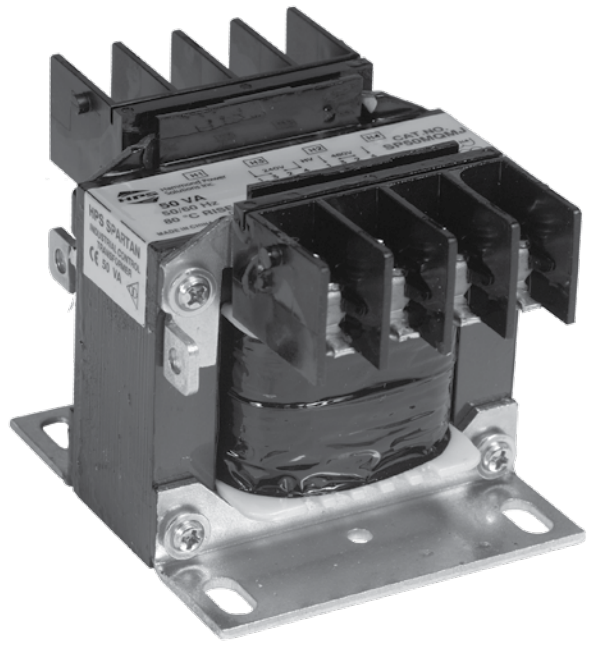
SECTION 1

The Economical Solution

The HPS Spartan® line of industrial control transformers are ideally suited for general purpose, industrial and light duty loads. Designed for applications where high inrush or machine tool duty are not necessary, the HPS Spartan industrial open-style control transformer offers an efficient and economical solution. These units are well suited for HVAC applications, signal and alarm systems, motor control circuits, lighting and circuit isolation.

The HPS Spartan control transformer is an open style unit with molded terminal blocks up to 3000 VA or 30 amps. Optional Finger guards and a fuse block adapter kit are available upon request.

For an economical approach to control transformers, the HPS Spartan is the transformer of choice.



| STANDARDS | | |
|---|--------|---------|
| The HPS Spartan Control Transformers meet or exceed the standards established by UL, CSA, IEC and NEMA. | | |
| Standard | File # | VA Size |
| UL (ANSI/UL506) | E50394 | All |
| CSA | LR3902 | All |
| IEC 61558 | | All |
| NEMA (ST-1) | | All |

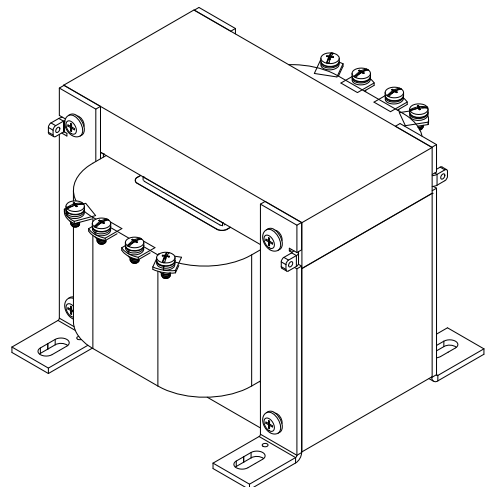
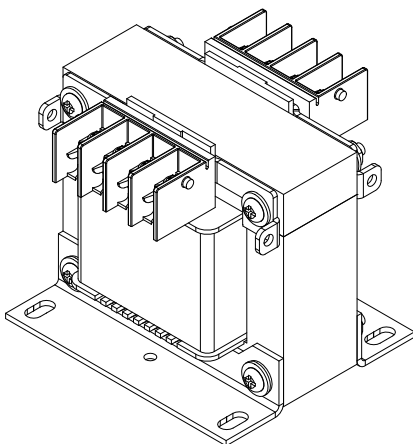


Features and Benefits

- Molded terminal blocks for primary and secondary connections¹
- Coil face termination over 3000VA or 30 amps
- Vacuum Impregnated with Polyester Resin and oven cured
- Bolted core construction
- Bolt-on mounting brackets
- All terminal blocks utilize a combination slot/Phillips #6 screw with a SEMS washer (suitable for 18 AWG to 14 AWG for solid wire and 18 AWG to 12 AWG for stranded wire). Coil face terminations utilize a ¼ - 20 UNC X 0.50" combination slot/Phillips screw and a spring lock washer
- All units supplied with primary and secondary voltage links/jumpers
- 50/60 Hz (60 Hz on SP***ACP and SP***AR)
- Copper wound coils with high dielectric strength insulation
- Seismically certified in accordance with 2009 IBC for $S_{DS} \leq 2.00g$, $z/h = 1.0$ and $I_p = 1.5$
- CSA Certified, UL Listed, CE Marked and RoHS compliant
- Meets NEMA standards
- Superior insulating materials. The HPS Spartan series transformers offer the following insulation systems:

| | |
|---------------------|---|
| Up to 1500 VA: | 80°C rise, 130°C temperature class (B) |
| 2000 VA to 5000 VA: | 115°C rise, 180°C temperature class (F) |
- "Premium Packaging"¹ which feature:
 - Premium fluted cartons
 - Custom molded foam inserts
 - Easy removal and repacking
 - Industry's best box label
- Supplied with trilingual installation and wiring instruction sheets
- 15 year warranty
- Optional finger guards available¹
- Optional fuse block adapter kit available¹

¹ up to and including 3000VA or 30 amps



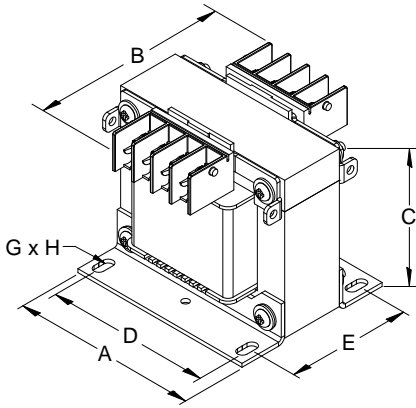


FIGURE A

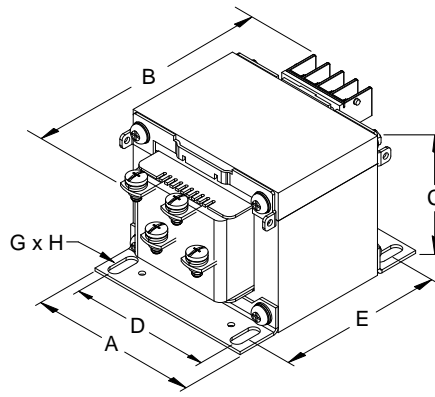


FIGURE B

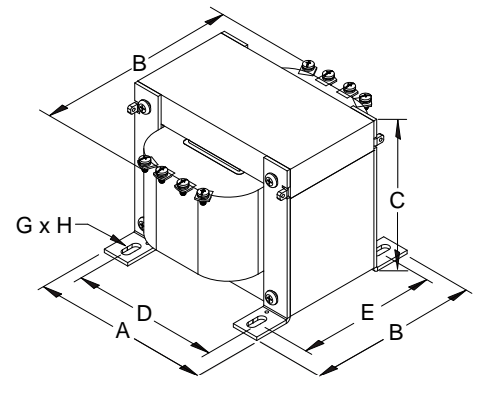


FIGURE C

Group A

Primary Voltage: 600/480 || 575/460 || 550/440
 Secondary Voltage: 120 X 240 || 115 X 230 || 110 X 220



| VA Rating | CE VA Rating | Catalog Number | Mtg. Fig. | Output Amps | Overall Dimensions | | | Mounting Centers | | Mounting Slot G X H | Height with Finger Guard | Height with Fuse Block Adapter | Approx. Ship Weight Lbs. |
|-----------|--------------|----------------|-----------|-------------|--------------------|-------------------|------|------------------|------|------------------------|--------------------------|--------------------------------|--------------------------|
| | | | | | A | B | C | D | E | | | | |
| 50 | 50 | SP50ACP | A | 0.42/0.21 | 2.60 | 3.82 | 2.60 | 2.13 | 2.64 | 0.22 x 0.44 | 2.98 | 2.79 | 2.2 |
| 100 | 100 | SP100ACP | A | 0.83/0.42 | 2.99 | 3.74 | 2.85 | 2.52 | 2.60 | 0.22 x 0.44 | 3.23 | 3.04 | 3.3 |
| 150 | 150 | SP150ACP | A | 1.25/0.63 | 2.99 | 4.29 | 2.85 | 2.52 | 3.15 | 0.22 x 0.44 | 3.23 | 3.04 | 4.4 |
| 250 | 160 | SP250ACP | A | 2.08/1.04 | 3.78 | 4.09 | 3.40 | 3.31 | 2.99 | 0.22 x 0.44 | 3.78 | 3.59 | 6.4 |
| 350 | 250 | SP350ACP | A | 2.92/1.46 | 3.78 | 4.49 | 3.40 | 3.31 | 3.39 | 0.22 x 0.44 | 3.78 | 3.59 | 7.5 |
| 500 | 300 | SP500ACP | A | 4.17/2.08 | 4.49 | 4.69 | 3.78 | 3.78 | 3.66 | 0.31 x 0.81 | 4.16 | 3.97 | 11 |
| 750 | 500 | SP750ACP | A | 6.25/3.13 | 5.25 | 5.08 ¹ | 4.37 | 4.50 | 4.06 | 0.31 x 0.81 | 4.75 | 4.56 | 18 |
| 1000 | 650 | SP1000ACP | A | 8.33/4.17 | 5.25 | 5.47 ¹ | 4.37 | 4.50 | 4.45 | 0.31 x 0.81 | 4.75 | 4.56 | 21 |
| 1500 | 1000 | SP1500ACP | A | 12.5/6.25 | 5.25 | 6.85 ¹ | 4.37 | 4.50 | 5.83 | 0.31 x 0.81 | 4.56 | 4.37 | 28 |
| 2000 | 1300 | SP2000ACP | A | 16.7/8.33 | 6.38 | 5.87 ¹ | 5.31 | 5.75 | 4.84 | 0.31 x 0.81 | 5.69 | 5.50 | 34 |
| 3000 | 2000 | SP3000ACP | A | 25.0/12.5 | 7.50 | 7.50 | 6.50 | 6.30 | 6.85 | 0.44 x 1.00 | 6.50 | 6.50 | 60 |
| 5000 | 3000 | SP5000ACP | C | 41.7/20.8 | 8.98 | 9.88 | 7.76 | 7.40 | 7.13 | 0.44 x 1.00 | N/A | N/A | 93 |

Primary and Secondary voltage links/jumpers supplied standard with all transformers. Refer to page 75 for wiring schematic drawing. All dimensions in inches
 Custom voltages and VA sizes available upon request.

¹ Note: For 750 through 2000 VA units actual overall depth is 0.24" plus the value in column B.

Group B

Primary Voltage: 600 || 575 || 550
 Secondary Voltage: 12 X 24 || 11.5 X 23 || 11 X 22



| VA Rating | CE VA Rating | Catalog Number | Mtg. Fig. | Output Amps | Overall Dimensions | | | Mounting Centers | | Mounting Slot G X H | Height with Finger Guard | Height with Fuse Block Adapter | Approx. Ship Weight Lbs. |
|-----------|--------------|----------------|-----------|-------------|--------------------|------|------|------------------|------|------------------------|--------------------------|--------------------------------|--------------------------|
| | | | | | A | B | C | D | E | | | | |
| 50 | 50 | SP50AR | A | 4.17/2.08 | 2.60 | 3.23 | 2.60 | 2.13 | 2.05 | 0.22 x 0.44 | 2.98 | 2.79 | 1.5 |
| 100 | 100 | SP100AR | A | 8.33/4.17 | 2.99 | 3.74 | 2.85 | 2.52 | 2.60 | 0.22 x 0.44 | 3.23 | 3.04 | 3.3 |
| 150 | 150 | SP150AR | A | 12.5/6.25 | 2.99 | 4.09 | 2.85 | 2.52 | 2.95 | 0.22 x 0.44 | 3.23 | 3.04 | 3.9 |
| 250 | 160 | SP250AR | A | 20.8/10.4 | 3.78 | 3.70 | 3.40 | 3.31 | 2.60 | 0.22 x 0.44 | 3.78 | 3.59 | 5.2 |
| 350 | 250 | SP350AR | A | 29.2/14.6 | 3.78 | 4.29 | 3.40 | 3.31 | 3.19 | 0.22 x 0.44 | 3.78 | 3.59 | 7.1 |
| 500 | 300 | SP500AR | B | 41.7/20.8 | 4.49 | 5.08 | 3.78 | 3.78 | 3.27 | 0.31 x 0.81 | 4.16 | 3.97 | 9.9 |

Primary and Secondary voltage links/jumpers supplied standard with all transformers. All dimensions in inches
 Refer to page 75 for wiring schematic drawing. Custom voltages and VA sizes available upon request.

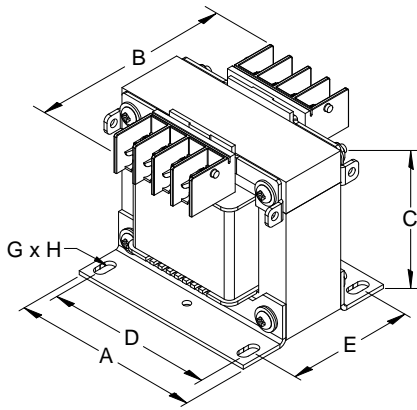


FIGURE A

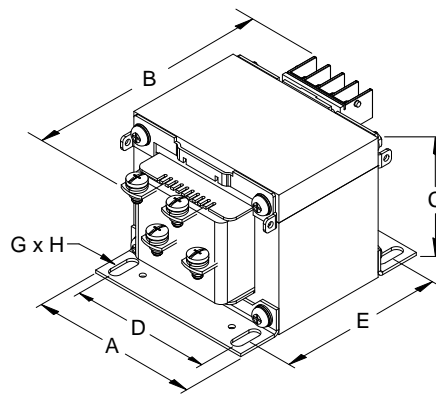


FIGURE B

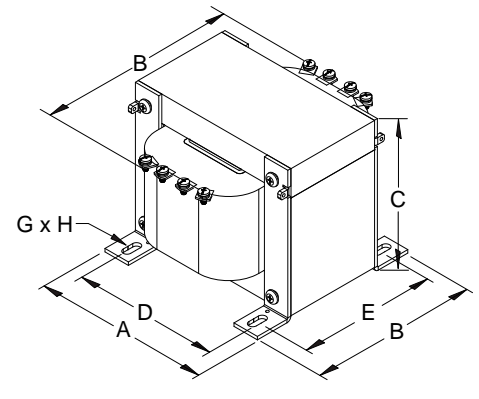


FIGURE C

Group C

Primary Voltage: 240 X 480 || 230 X 460 || 220 X 440
 Secondary Voltage: 120 X 240 || 115 X 230 || 110 X 220




 50/60 Hertz

| VA Rating | CE VA Rating | Catalog Number | Mtg. Fig. | Output Amps | Overall Dimensions | | | Mounting Centers | | Mounting Slot G X H | Height with Finger Guard | Height with Fuse Block Adapter | Approx. Ship Weight Lbs. |
|-----------|--------------|----------------|-----------|-------------|--------------------|-------------------|------|------------------|------|------------------------|--------------------------|--------------------------------|--------------------------|
| | | | | | A | B | C | D | E | | | | |
| 50 | 50 | SP50MQMJ | A | 0.42/0.21 | 2.60 | 3.35 | 2.60 | 2.13 | 2.17 | 0.22 x 0.44 | 2.98 | 2.79 | 1.7 |
| 100 | 100 | SP100MQMJ | A | 0.83/0.42 | 2.99 | 3.74 | 2.85 | 2.52 | 2.60 | 0.22 x 0.44 | 3.23 | 3.04 | 3 |
| 150 | 150 | SP150MQMJ | A | 1.25/0.63 | 2.99 | 4.29 | 2.85 | 2.52 | 3.15 | 0.22 x 0.44 | 3.23 | 3.04 | 4.3 |
| 250 | 160 | SP250MQMJ | A | 2.08/1.04 | 3.78 | 4.09 | 3.40 | 3.31 | 2.99 | 0.22 x 0.44 | 3.78 | 3.59 | 6.5 |
| 350 | 250 | SP350MQMJ | A | 2.92/1.46 | 3.78 | 4.69 | 3.40 | 3.31 | 3.58 | 0.22 x 0.44 | 3.78 | 3.59 | 8.2 |
| 500 | 300 | SP500MQMJ | A | 4.17/2.08 | 4.49 | 4.69 | 3.78 | 3.78 | 3.66 | 0.31 x 0.81 | 4.16 | 3.97 | 11 |
| 750 | 500 | SP750MQMJ | A | 6.25/3.13 | 5.25 | 4.69 ¹ | 4.37 | 4.50 | 3.66 | 0.31 x 0.81 | 4.75 | 4.56 | 16 |
| 1000 | 650 | SP1000MQMJ | A | 8.33/4.17 | 5.25 | 5.47 ¹ | 4.37 | 4.50 | 4.45 | 0.31 x 0.81 | 4.75 | 4.56 | 21 |
| 1500 | 1000 | SP1500MQMJ | A | 12.5/6.25 | 5.25 | 6.85 ¹ | 4.37 | 4.50 | 5.83 | 0.31 x 0.81 | 4.75 | 4.56 | 28 |
| 2000 | 1300 | SP2000MQMJ | A | 16.7/8.33 | 6.38 | 5.87 ¹ | 5.31 | 5.75 | 4.84 | 0.31 x 0.81 | 5.50 | 5.31 | 35 |
| 3000 | 2000 | SP3000MQMJ | A | 25.0/12.5 | 7.50 | 7.50 | 6.50 | 6.30 | 7.28 | 0.44 x 1.00 | 6.50 | 6.50 | 64 |
| 5000 | 3000 | SP5000MQMJ | C | 41.7/20.8 | 8.98 | 9.88 | 7.76 | 7.40 | 7.28 | 0.44 x 1.00 | N/A | N/A | 97 |

Primary and Secondary voltage links/jumpers supplied standard with all transformers.
 Refer to page 76 for wiring schematic drawing. Custom voltages and VA sizes available upon request.
¹ Note: For 750 through 2000 VA units actual overall depth is 0.24" plus the value in column B.

All dimensions in inches

Group D

Primary Voltage: 240 X 480 || 230 X 460 || 220 X 440
 Secondary Voltage: 12 X 24 || 11.5 X 23 || 11 X 22




 50/60 Hertz

| VA Rating | CE VA Rating | Catalog Number | Mtg. Fig. | Output Amps | Overall Dimensions | | | Mounting Centers | | Mounting Slot G X H | Height with Finger Guard | Height with Fuse Block Adapter | Approx. Ship Weight Lbs. |
|-----------|--------------|----------------|-----------|-------------|--------------------|------|------|------------------|------|------------------------|--------------------------|--------------------------------|--------------------------|
| | | | | | A | B | C | D | E | | | | |
| 50 | 50 | SP50QR | A | 4.17/2.08 | 2.60 | 3.35 | 2.60 | 2.13 | 2.17 | 0.22 x 0.44 | 2.98 | 2.79 | 1.7 |
| 100 | 100 | SP100QR | A | 8.33/4.17 | 2.99 | 3.54 | 2.85 | 2.52 | 2.40 | 0.22 x 0.44 | 3.23 | 3.04 | 3 |
| 150 | 150 | SP150QR | A | 12.5/6.25 | 2.99 | 4.29 | 2.85 | 2.52 | 3.15 | 0.22 x 0.44 | 3.23 | 3.04 | 4.3 |
| 250 | 160 | SP250QR | A | 20.8/10.4 | 3.78 | 4.09 | 3.40 | 3.31 | 2.99 | 0.22 x 0.44 | 3.78 | 3.59 | 6.5 |
| 350 | 250 | SP350QR | A | 29.2/14.6 | 3.78 | 4.69 | 3.40 | 3.31 | 3.58 | 0.22 x 0.44 | 3.78 | 3.59 | 8.3 |
| 500 | 300 | SP500QR | B | 41.7/20.8 | 4.49 | 5.47 | 3.78 | 3.78 | 3.66 | 0.31 x 0.81 | 4.16 | 3.97 | 11 |

Primary and Secondary voltage links/jumpers supplied standard with all transformers.
 Refer to page 76 for wiring schematic drawing. Custom voltages and VA sizes available upon request.

All dimensions in inches



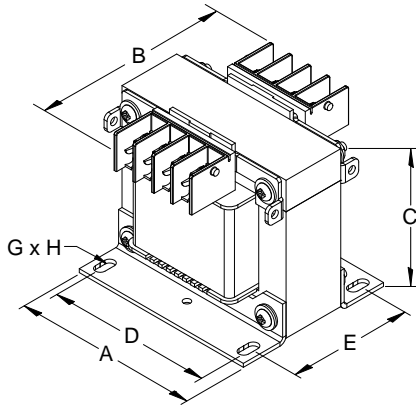


FIGURE A

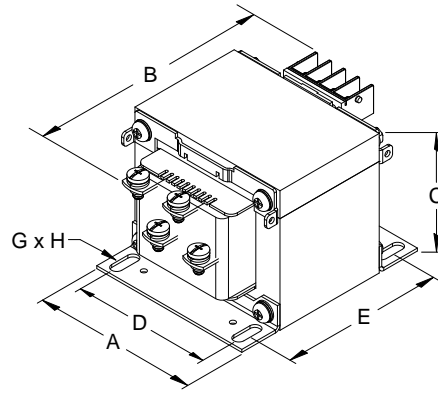


FIGURE B

Group E

Primary Voltage: **380/347**
 Secondary Voltage: **120 X 240**



| VA Rating | CE VA Rating | Catalog Number | Mtg. Fig. | Output Amps | Overall Dimensions | | | Mounting Centers | | Mounting Slot | Height with Finger Guard | Height with Fuse Block Adapter | Approx. Ship Weight Lbs. |
|-----------|--------------|----------------|-----------|-------------|--------------------|-------------------|------|------------------|------|---------------|--------------------------|--------------------------------|--------------------------|
| | | | | | A | B | C | D | E | G X H | | | |
| 50 | 50 | SP50KHP | A | 0.42/0.21 | 2.60 | 3.35 | 2.60 | 2.13 | 2.17 | 0.22 x 0.44 | 2.98 | 2.79 | 1.7 |
| 100 | 100 | SP100KHP | A | 0.83/0.42 | 2.99 | 3.74 | 2.85 | 2.52 | 2.60 | 0.22 x 0.44 | 3.23 | 3.04 | 3.4 |
| 150 | 150 | SP150KHP | A | 1.25/0.63 | 2.99 | 4.29 | 2.85 | 2.52 | 3.15 | 0.22 x 0.44 | 3.23 | 3.04 | 4.4 |
| 250 | 160 | SP250KHP | A | 2.08/1.04 | 3.78 | 4.09 | 3.40 | 3.31 | 2.99 | 0.22 x 0.44 | 3.78 | 3.59 | 6.7 |
| 350 | 250 | SP350KHP | A | 2.92/1.46 | 3.78 | 4.69 | 3.40 | 3.31 | 3.58 | 0.22 x 0.44 | 3.78 | 3.59 | 8.4 |
| 500 | 300 | SP500KHP | A | 4.17/2.08 | 4.49 | 4.69 | 3.78 | 3.78 | 3.66 | 0.31 x 0.81 | 4.16 | 3.97 | 12 |
| 750 | 500 | SP750KHP | A | 6.25/3.13 | 5.25 | 4.69 ¹ | 4.37 | 4.50 | 3.66 | 0.31 x 0.81 | 4.75 | 4.56 | 17 |
| 1000 | 650 | SP1000KHP | A | 8.33/4.17 | 5.25 | 5.47 ¹ | 4.37 | 4.50 | 4.45 | 0.31 x 0.81 | 4.75 | 4.56 | 21 |
| 1500 | 1000 | SP1500KHP | A | 12.5/6.25 | 6.38 | 4.88 ¹ | 5.31 | 5.75 | 3.86 | 0.31 x 0.81 | 5.50 | 5.31 | 29 |

Primary and Secondary voltage links/jumpers supplied standard with all transformers.
 Refer to page 77 for wiring schematic drawing. Custom voltages and VA sizes available upon request.
¹ Note: For 750 through 1500 VA units actual overall depth is 0.24" plus the value in column B.

All dimensions in inches

Group F

Primary Voltage: **380/347**
 Secondary Voltage: **12 X 24**



| VA Rating | CE VA Rating | Catalog Number | Mtg. Fig. | Output Amps | Overall Dimensions | | | Mounting Centers | | Mounting Slot | Height with Finger Guard | Height with Fuse Block Adapter | Approx. Ship Weight Lbs. |
|-----------|--------------|----------------|-----------|-------------|--------------------|------|------|------------------|------|---------------|--------------------------|--------------------------------|--------------------------|
| | | | | | A | B | C | D | E | G X H | | | |
| 50 | 50 | SP50KHR | A | 4.17/2.08 | 2.60 | 3.35 | 2.60 | 2.13 | 2.17 | 0.22 x 0.44 | 2.98 | 2.79 | 1.7 |
| 100 | 100 | SP100KHR | A | 8.33/4.17 | 2.99 | 3.74 | 2.85 | 2.52 | 2.60 | 0.22 x 0.44 | 3.23 | 3.04 | 3.3 |
| 150 | 150 | SP150KHR | A | 12.5/6.25 | 2.99 | 4.29 | 2.85 | 2.52 | 3.15 | 0.22 x 0.44 | 3.23 | 3.04 | 4.4 |
| 250 | 160 | SP250KHR | A | 20.8/10.4 | 3.78 | 4.09 | 3.40 | 3.31 | 2.99 | 0.22 x 0.44 | 3.78 | 3.59 | 6.4 |
| 350 | 250 | SP350KHR | A | 29.2/14.6 | 3.78 | 4.69 | 3.40 | 3.31 | 3.58 | 0.22 x 0.44 | 3.78 | 3.59 | 8.1 |
| 500 | 300 | SP500KHR | B | 41.7/20.8 | 4.49 | 5.47 | 3.78 | 3.78 | 3.66 | 0.31 x 0.81 | 4.16 | 3.97 | 11 |

Primary and Secondary voltage links/jumpers supplied standard with all transformers.
 Refer to page 77 for wiring schematic drawing. Custom voltages and VA sizes available upon request.

All dimensions in inches





FIGURE A



FIGURE B

Group G

Primary Voltage: 277

Secondary Voltage: 120



50/60 Hertz

| VA Rating | CE VA Rating | Catalog Number | Mtg. Fig. | Output Amps | Overall Dimensions | | | Mounting Centers | | Mounting Slot | Height with Finger Guard | Height with Fuse Block Adapter | Approx. Ship Weight Lbs. |
|-----------|--------------|----------------|-----------|-------------|--------------------|-------------------|------|------------------|------|---------------|--------------------------|--------------------------------|--------------------------|
| | | | | | A | B | C | D | E | G X H | | | |
| 50 | 50 | SP50NJ | A | 0.42 | 2.60 | 3.35 | 2.60 | 2.13 | 2.17 | 0.22 x 0.44 | 2.98 | 2.79 | 1.6 |
| 100 | 100 | SP100NJ | A | 0.83 | 2.99 | 3.54 | 2.85 | 2.52 | 2.40 | 0.22 x 0.44 | 3.23 | 3.04 | 3.2 |
| 150 | 150 | SP150NJ | A | 1.25 | 2.99 | 4.29 | 2.85 | 2.52 | 3.15 | 0.22 x 0.44 | 3.23 | 3.04 | 4.3 |
| 250 | 160 | SP250NJ | A | 2.08 | 3.78 | 4.09 | 3.40 | 3.31 | 2.99 | 0.22 x 0.44 | 3.78 | 3.59 | 6.4 |
| 350 | 250 | SP350NJ | A | 2.92 | 3.78 | 4.69 | 3.40 | 3.31 | 3.58 | 0.22 x 0.44 | 3.78 | 3.59 | 8.1 |
| 500 | 300 | SP500NJ | A | 4.17 | 4.49 | 4.69 | 3.78 | 3.78 | 3.66 | 0.31 x 0.81 | 4.16 | 3.97 | 11 |
| 750 | 500 | SP750NJ | A | 6.25 | 5.25 | 5.08 ¹ | 4.37 | 4.50 | 4.06 | 0.31 x 0.81 | 4.75 | 4.56 | 18 |
| 1000 | 650 | SP1000NJ | A | 8.33 | 5.25 | 5.47 ¹ | 4.37 | 4.50 | 4.45 | 0.31 x 0.81 | 4.75 | 4.56 | 20 |
| 1500 | 1000 | SP1500NJ | A | 12.50 | 5.25 | 6.85 ¹ | 4.37 | 4.50 | 5.83 | 0.31 x 0.81 | 4.75 | 4.56 | 29 |

Primary and Secondary voltage links/jumpers supplied standard with all transformers.
 Refer to page 78 for wiring schematic drawing. Custom voltages and VA sizes available upon request.
¹ Note: For 750 through 1500 VA units actual overall depth is 0.24" plus the value in column B.

All dimensions in inches

Group H

Primary Voltage: 120 X 240 || 115 X 230 || 110 X 220

Secondary Voltage: 12 X 24 || 11.5 X 23 || 11 X 22



50/60 Hertz

| VA Rating | CE VA Rating | Catalog Number | Mtg. Fig. | Output Amps | Overall Dimensions | | | Mounting Centers | | Mounting Slot | Height with Finger Guard | Height with Fuse Block Adapter | Approx. Ship Weight Lbs. |
|-----------|--------------|----------------|-----------|-------------|--------------------|------|------|------------------|------|---------------|--------------------------|--------------------------------|--------------------------|
| | | | | | A | B | C | D | E | G X H | | | |
| 50 | 50 | SP50PR | A | 4.17/2.08 | 2.60 | 3.35 | 2.60 | 2.13 | 2.17 | 0.22 x 0.44 | 2.98 | 2.79 | 1.7 |
| 100 | 100 | SP100PR | A | 8.33/4.17 | 2.99 | 3.74 | 2.85 | 2.52 | 2.60 | 0.22 x 0.44 | 3.23 | 3.04 | 3 |
| 150 | 150 | SP150PR | A | 12.5/6.25 | 2.99 | 4.29 | 2.85 | 2.52 | 3.15 | 0.22 x 0.44 | 3.23 | 3.04 | 4.3 |
| 250 | 160 | SP250PR | A | 20.8/10.4 | 3.78 | 3.90 | 3.40 | 3.31 | 2.80 | 0.22 x 0.44 | 3.78 | 3.59 | 5.9 |
| 350 | 250 | SP350PR | A | 29.2/14.6 | 3.78 | 4.69 | 3.40 | 3.31 | 3.58 | 0.22 x 0.44 | 3.78 | 3.59 | 8.2 |
| 500 | 300 | SP500PR | B | 41.7/20.8 | 4.49 | 5.47 | 3.78 | 3.78 | 3.66 | 0.31 x 0.81 | 4.16 | 3.97 | 11 |

Primary and Secondary voltage links/jumpers supplied standard with all transformers.
 Refer to page 78 for wiring schematic drawing. Custom voltages and VA sizes available upon request.

All dimensions in inches



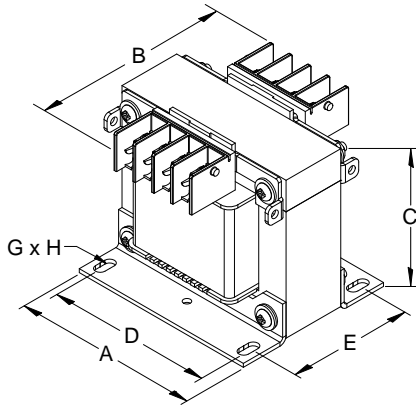


FIGURE A

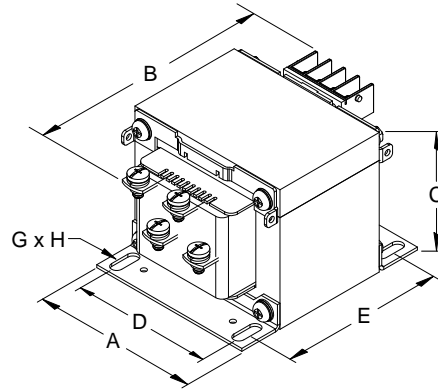


FIGURE B

Group I

Primary Voltage: 208 X 416 || 200 X 400 || 190 X 380
 Secondary Voltage: 120 X 240 || 115 X 230 || 110 X 220

SA® UL® CE 50/60 Hertz

| VA Rating | CE VA Rating | Catalog Number | Mtg. Fig. | Output Amps | Overall Dimensions | | | Mounting Centers | | Mounting Slot | Height with Finger Guard | Height with Fuse Block Adapter | Approx. Ship Weight Lbs. |
|-----------|--------------|----------------|-----------|-------------|--------------------|-------------------|------|------------------|------|---------------|--------------------------|--------------------------------|--------------------------|
| | | | | | A | B | C | D | E | G X H | | | |
| 50 | 50 | SP50SP | A | 0.42/0.21 | 2.60 | 3.35 | 2.60 | 2.13 | 2.17 | 0.22 x 0.44 | 1.6 | 2.60 | 1.6 |
| 100 | 100 | SP100SP | A | 0.83/0.42 | 2.99 | 3.54 | 2.85 | 2.52 | 2.40 | 0.22 x 0.44 | 3 | 2.85 | 3 |
| 150 | 150 | SP150SP | A | 1.25/0.63 | 2.99 | 4.29 | 2.85 | 2.52 | 3.15 | 0.22 x 0.44 | 4.3 | 2.85 | 4.3 |
| 250 | 160 | SP250SP | A | 2.08/1.04 | 3.78 | 4.09 | 3.40 | 3.31 | 2.99 | 0.22 x 0.44 | 6.5 | 3.40 | 6.5 |
| 350 | 250 | SP350SP | A | 2.92/1.46 | 3.78 | 4.69 | 3.40 | 3.31 | 3.58 | 0.22 x 0.44 | 8.3 | 3.40 | 8.3 |
| 500 | 300 | SP500SP | A | 4.17/2.08 | 4.49 | 4.69 | 3.78 | 3.78 | 3.66 | 0.31 x 0.81 | 11 | 3.78 | 11 |
| 750 | 500 | SP750SP | A | 6.25/3.13 | 5.25 | 4.69 ¹ | 4.37 | 4.50 | 3.66 | 0.31 x 0.81 | 16 | 4.75 | 16 |
| 1000 | 650 | SP1000SP | A | 8.33/4.17 | 5.25 | 5.47 ¹ | 4.37 | 4.50 | 4.45 | 0.31 x 0.81 | 20 | 4.75 | 20 |
| 1500 | 1000 | SP1500SP | A | 12.5/6.25 | 6.38 | 4.88 ¹ | 5.31 | 5.75 | 3.86 | 0.31 x 0.81 | 27 | 5.69 | 27 |

Primary and Secondary voltage links/jumpers supplied standard with all transformers.
 Refer to page 79 for wiring schematic drawing. Custom voltages and VA sizes available upon request.
¹ Note: For 750 through 1500 VA units actual overall depth is 0.24" plus the value in column B.

All dimensions in inches

Group J

Primary Voltage: 208 X 416 || 200 X 400 || 190 X 380
 Secondary Voltage: 12 X 24 || 11.5 X 23 || 11 X 22

SA® UL® CE 50/60 Hertz

| VA Rating | CE VA Rating | Catalog Number | Mtg. Fig. | Output Amps | Overall Dimensions | | | Mounting Centers | | Mounting Slot | Height with Finger Guard | Height with Fuse Block Adapter | Approx. Ship Weight Lbs. |
|-----------|--------------|----------------|-----------|-------------|--------------------|------|------|------------------|------|---------------|--------------------------|--------------------------------|--------------------------|
| | | | | | A | B | C | D | E | G X H | | | |
| 50 | 50 | SP50SR | A | 4.17/2.08 | 2.60 | 3.35 | 2.60 | 2.13 | 2.17 | 0.22 x 0.44 | 2.98 | 2.79 | 1.6 |
| 100 | 100 | SP100SR | A | 8.33/4.17 | 2.99 | 3.54 | 2.85 | 2.52 | 2.40 | 0.22 x 0.44 | 3.23 | 3.04 | 3.1 |
| 150 | 150 | SP150SR | A | 12.5/6.25 | 2.99 | 4.29 | 2.85 | 2.52 | 3.15 | 0.22 x 0.44 | 3.23 | 3.04 | 4.3 |
| 250 | 160 | SP250SR | A | 20.8/10.4 | 3.78 | 4.09 | 3.40 | 3.31 | 2.99 | 0.22 x 0.44 | 3.78 | 3.59 | 6.5 |
| 350 | 250 | SP350SR | A | 29.2/14.6 | 3.78 | 4.69 | 3.40 | 3.31 | 3.58 | 0.22 x 0.44 | 3.78 | 3.59 | 8.3 |
| 500 | 300 | SP500SR | B | 41.7/20.8 | 4.49 | 5.47 | 3.78 | 3.78 | 3.66 | 0.31 x 0.81 | 4.16 | 3.97 | 11 |

Primary and Secondary voltage links/jumpers supplied standard with all transformers.
 Refer to page 79 for wiring schematic drawing. Custom voltages and VA sizes available upon request.

All dimensions in inches



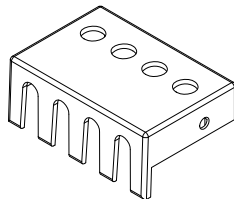
Optional Accessories

Finger Guards

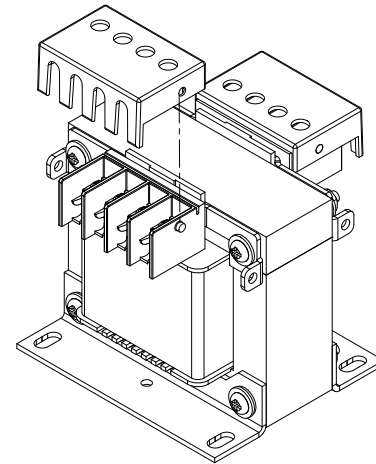
HPS Spartan industrial control transformers up to and including 3000VA or 30 amps are available with optional finger guards.

| Part Number | Applicable Transformer Part Number Suffixes | Applicable VA Sizes |
|-------------|---|---------------------|
| SPFG1 | AR, QR, PR, KHR, SR | 50 to 500 |
| SPFG1 | KHP, SP, NJ | 50 to 1500 |
| SPFG1 | ACP, MQMJ | 50 to 3000 |

Note: Each finger guard supplies either the primary or secondary side. Finger guard option not available on SP5000ACP and SP5000MQMJ standard units. Add 0.38" per finger guard to overall depth (column B) on units from 50 VA to 500 VA and 0.31" to units from 750 VA to 2000 VA when finger guard has been installed. For custom units, optional finger guards are only available on units up to 3000VA or 30 amps.



Finger Guard
(Optional)



Sample Assembly Drawing for Optional Finger Guard Installation
(Only available for units supplied with either a primary or secondary molded terminal block)

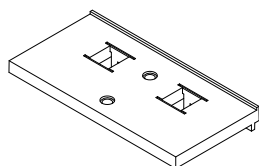
Fuse Block Adapter Kit

HPS Spartan industrial control transformers up to and including 3000VA or 30 amps are available with optional fuse block adapter kits. The Fuse Block Adapter Kit is designed to allow for the installation of any third party after market fuse block assembly onto the industrial control transformer. The transformer must be a unit that incorporates a molded terminal block on either the primary or secondary side.

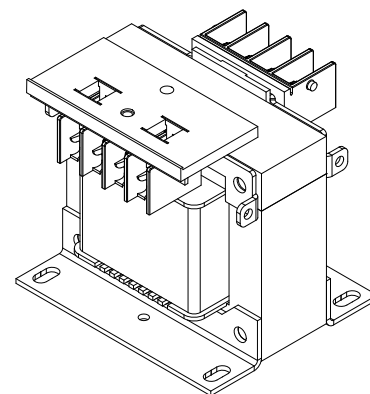
Note: HPS does not provide any jumpers or appropriate fuses for any after market fuse block you install on the HPS Spartan industrial control transformer. The HPS fuse block adapter kit provides only the mechanical means of attaching a third party after market fuse block. HPS does not recommend any specific fuse block or fuse supplier. For a recommended size of fuse, please see page # 32.

| Kit Part Number | Applicable Transformer Part Number Suffixes | Applicable VA Sizes |
|-----------------|---|---------------------|
| SPFBAK1 | AR, QR, PR, KHR, SR | 50 to 500 |
| SPFBAK1 | KHP, SP, NJ | 50 to 1500 |
| SPFBAK1 | ACP, MQMJ | 50 to 3000 |

Note: Only 1 fuse block adapter kit is required per transformer. Fuse block adapter kit not available on SP5000ACP and SP5000MQMJ standard units. Add 0.38" per fuse block adapter to overall depth (column B) on units from 750 VA to 3000 VA when optional fuse block adapter is installed. For custom units, optional fuse block adapter kit is only available on units up to 3000VA or 30 amps.



Fuse Block Adapter Kit
(Optional)



Sample Assembly Drawing for Optional Fuse Block Adapter Installation

For detailed installation instructions of HPS Spartan transformers or the optional finger guards and fuse block adapter kits, please visit our website under Products and Services - Literature & Resources - Instruction Sheets - Control Transformers. Or go to the following link: http://www.hammondpowersolutions.com/products/product_literature/instruction_sheets/control_transformers.php