

HPS Fusion™ General Purpose Enclosed Transformer

The Ideal Solution

The HPS Fusion™ line of single phase, general purpose enclosed transformers are ideally suited for general purpose, industrial and light duty loads. They have been designed for indoor applications and offer an efficient and economical solution. These units are well suited for HVAC applications, signal and alarm systems, motor control circuits, lighting and circuit isolation.

The HPS Fusion control transformer is an enclosed style unit with either molded terminal blocks (on units up to 3000 VA or 30 amps) or coil face termination. Optional Finger guards and a fuse block adapter kit are available upon request.

For an economical approach to general purpose loads, the HPS Fusion is the transformer of choice.



STANDARDS		
The HPS Fusion Control Transformers meet or exceed the standards established by UL, CSA, IEC and NEMA.		
Standard	File #	VA Size
UL (ANSI/UL506)	E50394	All
CSA	LR3902	All
IEC 61558		All
NEMA (ST-1)		All

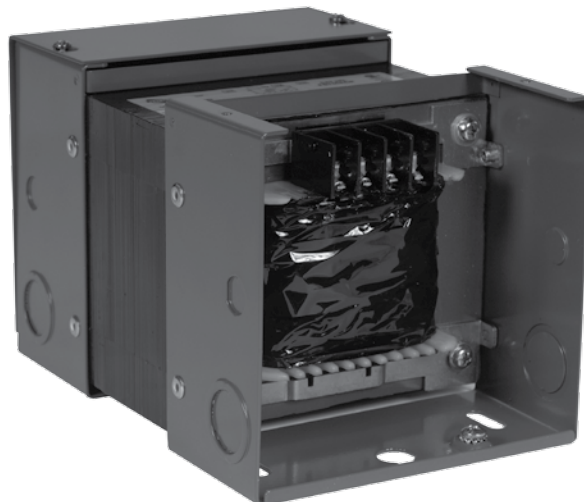


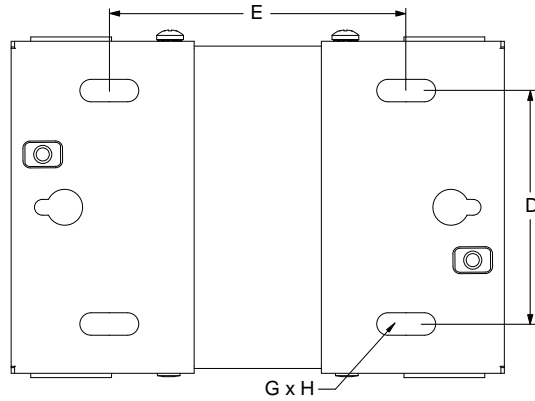
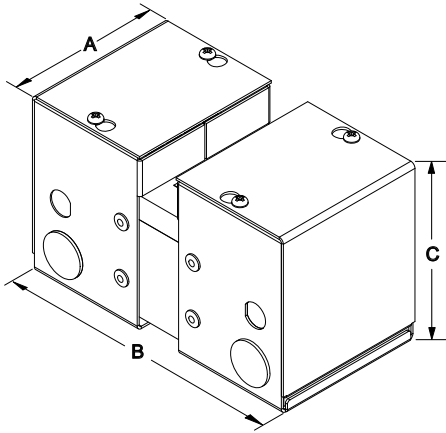
Features and Benefits

- Molded terminal blocks for primary and secondary connections up to 3000 VA or 30 amps; coil face termination over 3000VA or 30 amps
- All terminal blocks utilize a combination slot/Phillips #6 screw with a SEMS washer (suitable for 18 AWG to 14 AWG for solid wire and 18 AWG to 12 AWG for stranded wire). Coil face terminations utilize a ¼ - 20 UNC X 0.50" combination slot/Phillips screw and a spring lock washer
- Vacuum Impregnated with Polyester Resin and oven cured
- Bolted core construction
- Bolt-on mounting brackets
- Coils with high dielectric strength insulation
- Seismically certified in accordance with 2009 IBC for $S_{DS} \leq 2.00g$, $z/h = 1.0$ and $I_p = 1.5$
- CSA Certified, UL Listed, CE Marked and RoHS compliant
- Meets NEMA standards
- Superior insulating materials. The HPS Fusion series transformers offer the following insulation systems:

Up to 1500 VA:	95°C temperature rise, 130°C insulation class (B)
2000 VA to 5000 VA:	130°C temperature rise, 180°C insulation class (F)

 (Note: Temperature rise based on 25°C ambient)
- 50/60 Hz (60 Hz on FS***ACP and FS***AR)
- Rugged NEMA 1 enclosure
- Finish - forest green powder coat
- Primary and secondary ground screw
- Four (0.88") wiring knockouts and four (0.50") accessory knockouts
- Optional panel mount fuse holder available
- Easy mounting and installation via four mounting slots and two keyhole slots
- Easy access to primary and secondary wiring compartments through removable covers
- 15 year warranty





Group A

Primary Voltage: 600/480 || 575/460 || 550/440
Secondary Voltage: 120 X 240 || 115 X 230 || 110 X 220



60 Hertz

VA Rating	CE VA Rating	Catalog Number	Output Amps	Overall Dimensions			Mounting Centers		Mounting Slot	Approx. Ship Weight Lbs.
				A	B	C	D	E	G X H	
50	50	FS50ACP	0.42/0.21	2.7	6.4	3.33	1.66	4.16	0.22 x 0.44	3.0
100	100	FS100ACP	0.83/0.42	3.09	6.3	3.6	2.05	3.5	0.22 x 0.44	4.2
150	150	FS150ACP	1.25/0.63	3.09	6.9	3.6	2.05	4.1	0.22 x 0.44	5.3
250	160	FS250ACP	2.08/1.04	3.9	6.6	4.3	2.52	3.9	0.22 x 0.44	7.6
350	250	FS350ACP	2.92/1.46	3.9	7	4.3	2.52	4.3	0.22 x 0.44	8.7
500	300	FS500ACP	4.17/2.08	4.6	7.2	4.6	3.3	4.5	0.31 x 0.81	13.3
750	500	FS750ACP	6.25/3.13	5.6	7.6	5.1	4	4.9	0.31 x 0.81	20.3
1000	650	FS1000ACP	8.33/4.17	5.6	8	5.1	4	5.3	0.31 x 0.81	22.9
1500	1000	FS1500ACP	12.5/6.25	5.6	9.4	5.1	4	6.7	0.31 x 0.81	30.3
2000	1300	FS2000ACP	16.7/8.33	6.6	9.1	6	5.1	5.7	0.31 x 0.81	37.1
3000	2000	FS3000ACP	25.0/12.5	7.8	11.3	6.7	6.3	6.9	0.31 x 0.81	64.0
5000	3000	FS5000ACP	41.7/20.8	9.3	14.9	8	7.1	7.3	0.31 x 0.81	99.7

Primary and Secondary voltage links/jumpers supplied standard with all transformers. Refer to page 75 for wiring schematic drawing. Custom voltages and VA sizes available upon request.

All dimensions in inches

Group B

Primary Voltage: 600 || 575 || 550
Secondary Voltage: 12 X 24 || 11.5 X 23 || 11 X 22



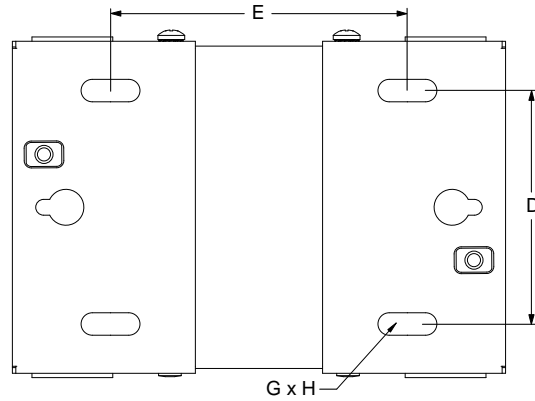
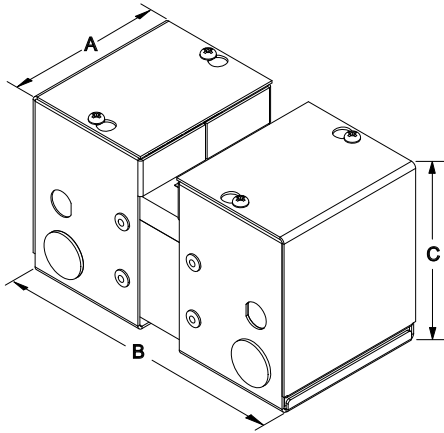
60 Hertz

VA Rating	CE VA Rating	Catalog Number	Output Amps	Overall Dimensions			Mounting Centers		Mounting Slot	Approx. Ship Weight Lbs.
				A	B	C	D	E	G X H	
50	50	FS50AR	4.17/2.08	2.7	5.8	3.33	1.66	3.58	0.22 x 0.44	2.3
100	100	FS100AR	8.33/4.17	3.09	6.3	3.6	2.05	3.5	0.22 x 0.44	4.2
150	150	FS150AR	12.5/6.25	3.09	6.7	3.6	2.05	3.9	0.22 x 0.44	4.8
250	160	FS250AR	20.8/10.4	3.9	6.2	4.3	2.52	3.5	0.22 x 0.44	6.4
350	250	FS350AR	29.2/14.6	3.9	6.8	4.3	2.52	4.1	0.22 x 0.44	8.3
500	300	FS500AR	41.7/20.8	4.6	6.8	4.1	3.3	4.5	0.31 x 0.81	11.8

Primary and Secondary voltage links/jumpers supplied standard with all transformers. Refer to page 75 for wiring schematic drawing. Custom voltages and VA sizes available upon request.

All dimensions in inches





Group C

Primary Voltage: 240 X 480 || 230 X 460 || 220 X 440
 Secondary Voltage: 120 X 240 || 115 X 230 || 110 X 220



50/60 Hertz

VA Rating	CE VA Rating	Catalog Number	Output Amps	Overall Dimensions			Mounting Centers		Mounting Slot	Approx. Ship Weight Lbs.
				A	B	C	D	E	G X H	
50	50	FS50MQMJ	0.42/0.21	2.7	5.9	3.33	1.66	3.69	0.22 x 0.44	2.5
100	100	FS100MQMJ	0.83/0.42	3.09	6.3	3.6	2.05	3.5	0.22 x 0.44	3.9
150	150	FS150MQMJ	1.25/0.63	3.09	6.9	3.6	2.05	4.1	0.22 x 0.44	5.2
250	160	FS250MQMJ	2.08/1.04	3.9	6.6	4.3	2.52	3.9	0.22 x 0.44	7.7
350	250	FS350MQMJ	2.92/1.46	3.9	7.2	4.3	2.52	4.9	0.22 x 0.44	9.4
500	300	FS500MQMJ	4.17/2.08	4.6	7.2	4.6	3.3	4.5	0.31 x 0.81	13.2
750	500	FS750MQMJ	6.25/3.13	5.6	7.2	5.1	4	4.5	0.31 x 0.81	18.0
1000	650	FS1000MQMJ	8.33/4.17	5.6	8	5.1	4	5.3	0.31 x 0.81	22.8
1500	1000	FS1500MQMJ	12.5/6.25	6.6	8.5	6	5.1	5.1	0.31 x 0.81	31.1
2000	1300	FS2000MQMJ	16.7/8.33	6.6	9.1	6	5.1	5.7	0.31 x 0.81	38.1
3000	2000	FS3000MQMJ	25.0/12.5	7.8	11.7	6.7	6.3	7.3	0.31 x 0.81	68.5
5000	3000	FS5000MQMJ	41.7/20.8	9.3	15.1	8	7.4	7.3	0.31 x 0.81	104.2

Primary and Secondary voltage links/jumpers supplied standard with all transformers.
 Refer to page 76 for wiring schematic drawing. Custom voltages and VA sizes available upon request.

All dimensions in inches

Group D

Primary Voltage: 240 X 480 || 230 X 460 || 220 X 440
 Secondary Voltage: 12 X 24 || 11.5 X 23 || 11 X 22



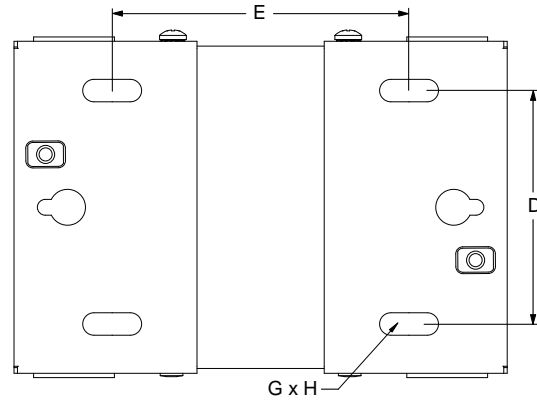
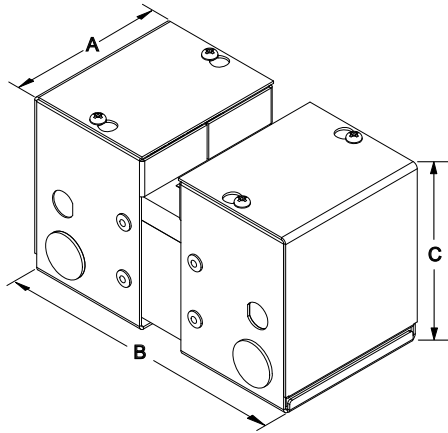
50/60 Hertz

VA Rating	CE VA Rating	Catalog Number	Output Amps	Overall Dimensions			Mounting Centers		Mounting Slot	Approx. Ship Weight Lbs.
				A	B	C	D	E	G X H	
50	50	FS50QR	4.17/2.08	2.7	5.9	3.33	1.66	3.69	0.22 x 0.44	2.5
100	100	FS100QR	8.33/4.17	3.09	6.1	3.6	2.05	3.35	0.22 x 0.44	3.9
150	150	FS150QR	12.5/6.25	3.09	6.9	3.6	2.05	4.1	0.22 x 0.44	5.2
250	160	FS250QR	20.8/10.4	3.9	6.6	4.3	2.52	3.9	0.22 x 0.44	7.7
350	250	FS350QR	29.2/14.6	3.9	7.2	4.3	2.52	4.9	0.22 x 0.44	9.5
500	300	FS500QR	41.7/20.8	4.6	7.2	4.6	3.3	4.5	0.31 x 0.81	13.4

Primary and Secondary voltage links/jumpers supplied standard with all transformers.
 Refer to page 76 for wiring schematic drawing. Custom voltages and VA sizes available upon request.

All dimensions in inches





SECTION 1

Group E

Primary Voltage: 380/347
Secondary Voltage: 120 X 240



VA Rating	CE VA Rating	Catalog Number	Output Amps	Overall Dimensions			Mounting Centers		Mounting Slot	Approx. Ship Weight Lbs.
				A	B	C	D	E	G X H	
50	50	FS50KHP	0.42/0.21	2.7	5.9	3.33	1.66	3.69	0.22 x 0.44	2.5
100	100	FS100KHP	0.83/0.42	3.09	6.3	3.6	2.05	3.5	0.22 x 0.44	4.3
150	150	FS150KHP	1.25/0.63	3.09	6.9	3.6	2.05	4.1	0.22 x 0.44	5.3
250	160	FS250KHP	2.08/1.04	3.9	6.6	4.3	2.52	3.9	0.22 x 0.44	7.9
350	250	FS350KHP	2.92/1.46	3.9	7.2	4.3	2.52	4.9	0.22 x 0.44	9.6
500	300	FS500KHP	4.17/2.08	4.6	7.2	4.6	3.3	4.5	0.31 x 0.81	13.6
750	500	FS750KHP	6.25/3.13	5.6	7.2	5.1	4	4.5	0.31 x 0.81	19
1000	650	FS1000KHP	8.33/4.17	5.6	8	5.1	4	5.3	0.31 x 0.81	23.5
1500	1000	FS1500KHP	12.5/6.25	6.6	8.5	6	5.1	5.1	0.31 x 0.81	31.6

Primary and Secondary voltage links/jumpers supplied standard with all transformers.
 Refer to page 77 for wiring schematic drawing. Custom voltages and VA sizes available upon request.

All dimensions in inches

Group F

Primary Voltage: 380/347
Secondary Voltage: 12 X 24

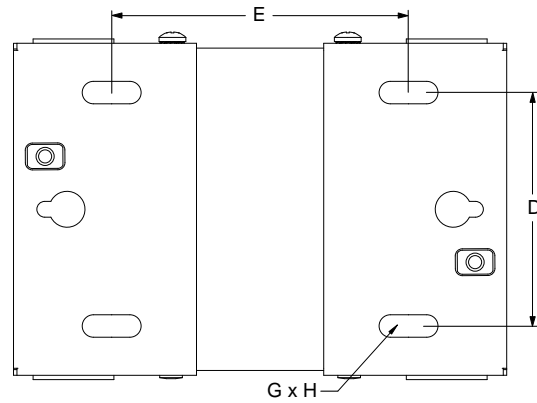
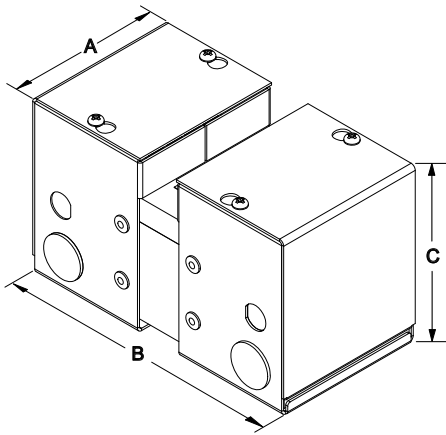


VA Rating	CE VA Rating	Catalog Number	Output Amps	Overall Dimensions			Mounting Centers		Mounting Slot	Approx. Ship Weight Lbs.
				A	B	C	D	E	G X H	
50	50	FS50KHR	4.17/2.08	2.7	5.9	3.33	1.66	3.69	0.22 x 0.44	2.5
100	100	FS100KHR	8.33/4.17	3.09	6.3	3.6	2.05	3.5	0.22 x 0.44	4.2
150	150	FS150KHR	12.5/6.25	3.09	6.9	3.6	2.05	4.1	0.22 x 0.44	5.3
250	160	FS250KHR	20.8/10.4	3.9	6.6	4.3	2.52	3.9	0.22 x 0.44	7.6
350	250	FS350KHR	29.2/14.6	3.9	7.2	4.3	2.52	4.9	0.22 x 0.44	9.3
500	300	FS500KHR	41.7/20.8	4.6	7.2	4.6	3.3	4.5	0.31 x 0.81	13.2

Primary and Secondary voltage links/jumpers supplied standard with all transformers.
 Refer to page 77 for wiring schematic drawing. Custom voltages and VA sizes available upon request.

All dimensions in inches





Group G

Primary Voltage: 277

Secondary Voltage: 120



50/60 Hertz

VA Rating	CE VA Rating	Catalog Number	Output Amps	Overall Dimensions			Mounting Centers		Mounting Slot	Approx. Ship Weight Lbs.
				A	B	C	D	E	G X H	
50	50	FS50NJ	0.42	2.7	5.9	3.33	1.66	3.69	0.22 x 0.44	2.4
100	100	FS100NJ	0.83	3.09	6.1	3.6	2.05	3.35	0.22 x 0.44	4.1
150	150	FS150NJ	1.25	3.09	6.9	3.6	2.05	4.1	0.22 x 0.44	5.2
250	160	FS250NJ	2.08	3.9	6.6	4.3	2.52	3.9	0.22 x 0.44	7.6
350	250	FS350NJ	2.92	3.9	7.2	4.3	2.52	4.9	0.22 x 0.44	9.3
500	300	FS500NJ	4.17	4.6	7.2	4.6	3.3	4.5	0.31 x 0.81	13.3
750	500	FS750NJ	6.25	5.6	7.6	5.1	4	4.9	0.31 x 0.81	20.1
1000	650	FS1000NJ	8.33	5.6	8	5.1	4	5.3	0.31 x 0.81	22.8
1500	1000	FS1500NJ	12.50	5.6	9.4	5.1	4	6.7	0.31 x 0.81	31.1

Primary and Secondary voltage links/jumpers supplied standard with all transformers.
Refer to page 78 for wiring schematic drawing. Custom voltages and VA sizes available upon request.

All dimensions in inches

Group H

Primary Voltage: 120 X 240

Secondary Voltage: 12 X 24

|| 115 X 230

|| 11.5 X 23

|| 110 X 220

|| 11 X 22



50/60 Hertz

VA Rating	CE VA Rating	Catalog Number	Output Amps	Overall Dimensions			Mounting Centers		Mounting Slot	Approx. Ship Weight Lbs.
				A	B	C	D	E	G X H	
50	50	FS50PR	4.17/2.08	2.7	5.9	3.33	1.66	3.69	0.22 x 0.44	2.5
100	100	FS100PR	8.33/4.17	3.09	6.1	3.6	2.05	3.35	0.22 x 0.44	3.9
150	150	FS150PR	12.5/6.25	3.09	6.9	3.6	2.05	4.1	0.22 x 0.44	5.2
250	160	FS250PR	20.8/10.4	3.9	6.4	4.3	2.52	3.7	0.22 x 0.44	7.1
350	250	FS350PR	29.2/14.6	3.9	7.2	4.3	2.52	4.9	0.22 x 0.44	9.4
500	300	FS500PR	41.7/20.8	4.6	7.2	4.6	3.3	4.5	0.31 x 0.81	13.2

Primary and Secondary voltage links/jumpers supplied standard with all transformers.
Refer to page 78 for wiring schematic drawing. Custom voltages and VA sizes available upon request.

All dimensions in inches

