

Diva



INSTALLATION AND CONNECTION

Installation height 12 in (30 cm).

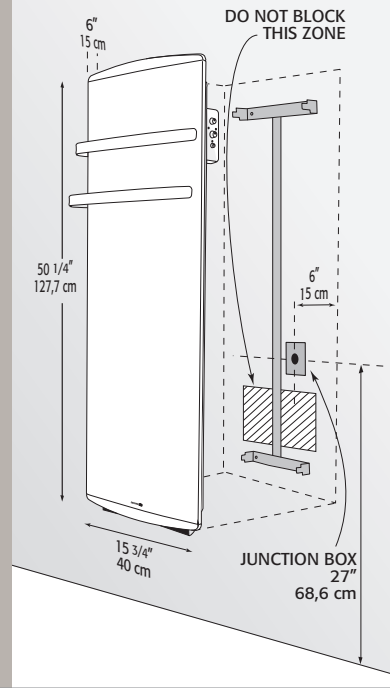
Clearances

- Front: 20 in (50 cm)
- ◀ Sides: 8 in (20 cm)
- ▲ Above: 20 in (50 cm).

Installation Quick-mounted surface installation with easy snap-on bracket that also serves as marking template.


Connection 240-V unit: Flexible cord connection, including junction box. Installation requires 2 in X 3 in wall box (not included).


Note 3-conductor cable or 2-conductor cable with a third wire should be used if unit is to be linked with the Convectair Programmer module (7392 FP).



HEATING ELEMENTS

Total capacity 1750 W


 **Radiant (750 W)** Radiant front panel with integrated surface element.

 **Fan-forced heat on demand (1000W)** Low-thermal-mass heating element combined with low-pressure centrifugal blower.

Thermal protection - Radiant Automatic reset overheat protection.

- **Fan-forced heat** Resettable overheat protection. Reset by turning heater off.

TEMPERATURE CONTROL

 **Electronic thermostat** Built-in electronic proportional-action thermostat ultraprecise to 1/5°F (1/10°C) for radiant front panel.

Electronic timer for 5 to 120 minutes of accelerated heating or towel drying, and for the Turbo setting (1750-watt radiant and fan-forced heat).

Programmer Programmer-compatible, pilot wire only.

CONTROL PANEL

 **Location** On the right side.


Thermostat dial.

Timer and Turbo mode dial with indicator light.

On/Off button with indicator light.

Heating indicator light.

CABINET

 **Steel** construction with polyester/epoxy anti-rust powder coating and resistant to UV rays.

Cabinet Splash-proof construction with rounded edges.

Airflow Bottom flow air outlet directs the hot air on the towels and towards the center of the room.

Accessories Two (2) towel bars included.

Colour BB = White

MODEL	Catalogue No.	Colour	Power		Height		Width		Depth		Net Weight	
			240 V	208 V	cm	in	cm	in	cm	in	kg	lb
DIVA ②	7648-C17	BB	*750-1 750 W		127,7	50 1/4	40	15 3/4	15	6	15,5	34,2
*Radiant (750 W); Fan-forced heat (1000 W).					With bars		43	16 7/8	18	7	-	-

② Compatible with the Programmer system (see technical specifications for catalogue number 7392).

For guaranteed, dependable operation, we recommend that all units be installed by a licensed electrical contractor. Consult **convectair.com** to find the most recent installation instructions for our heaters.

