



INSTALLATION AND CONNECTION

Installation height 39 3/8 in (100 cm)

Clearances

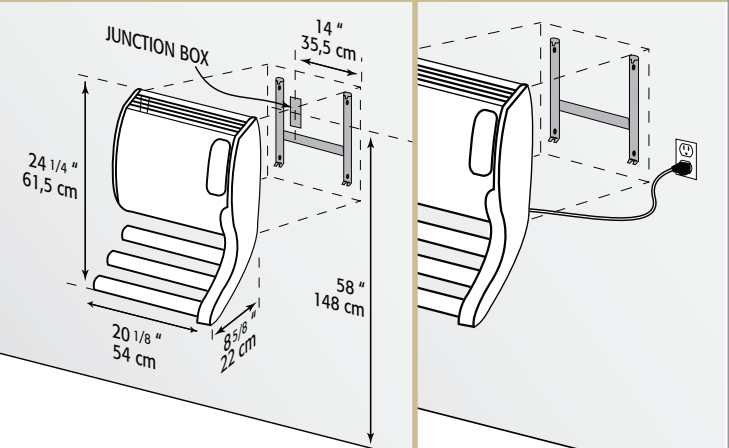
■ **Front:** 20 in (50 cm) ◀ **Sides:** 6 in (15 cm) ▲ **Above:** 12 in (30,5 cm).

Installation Quick-mounted surface installation with easy snap-on bracket.

Connection 240-V unit: Flexible cord connection, including junction box.
Installation requires 2 in X 3 in wall box (not included).

120-V unit: Plug-in connection with 6 ft flexible cord.

Note 240-V unit: 3-conductor cable or 2-conductor cable with a third wire should be used if unit is to be linked with the Convectair Programmer module (7392 FP).



convectair.com

Photos / pages 4, 7 & 9

HEATING ELEMENTS

Total capacity 1500 (120V) or 2000 W (240V)

Convection (750 (120V) or 1000 W (240V)) X-shaped, monoblock element made of surface-treated extruded aluminum.

Fan-forced heat on demand and towel drying (750 (120V) or 1000 W (240V)) Low-thermal-mass heating element combined with low-pressure tangential blower.

Thermal protection - Convection Manual reset overheat protection.

- **Fan-forced heat** Resetable overheat protection. Reset by turning heater off.

TEMPERATURE CONTROL

Electronic thermostat Built-in electronic proportional-action thermostat ultraprecise to 1/5°F (1/10°C) for convection heating.

Timer 0-30 minute resetable mechanical timer for drying towels or quick heating.

Programmer Programmer-compatible, pilot wire only (240-V unit).

CONTROL PANEL

Location Located in the front of the unit with protective cover.

Switch On/Off switch, also serves as reset for overheat protection.

Dial 1 Thermostat control.
2 Timer dial with 3 mode-function selector.

Mode-function selector 3-mode-timer-function selector: Quick heating; Towel drying; Room-temperature drying.

Indicator light Heating indicator light.

CABINET

Steel construction with polyester/epoxy anti-rust powder coating.

Cabinet Splash-proof construction with rounded edges and built-in side wire covers.

Louvers Top forward-louvered air outlet that directs heat towards the entire room.

Color BB = White

MODEL	Catalog No.	Color	Power		Height		Width		Thickness		Weight	
			240-V	208-V	cm	in	cm	in	cm	in	kg	lb
JAZZ ②	7618-C20	BB	1000 - 2000 W		61,5	24 1/4	54	20 1/8	22	8 5/8	9,7	21,4
120 VOLTS PLUG-IN												
JAZZ ④	7618-B15	BB	750 - 1500 W		61,5	24 1/4	54	20 1/8	22	8 5/8	9,7	21,4

② Compatible with the Programmer system (see technical specifications for catalogue number 7392).

④ Not compatible with the Programmer system. For use with 120 V outlets.

For guaranteed, dependable operation, we recommend that all units be installed by a licensed electrical contractor. Consult **convectair.com** to find the most recent installation instructions for our heaters.

