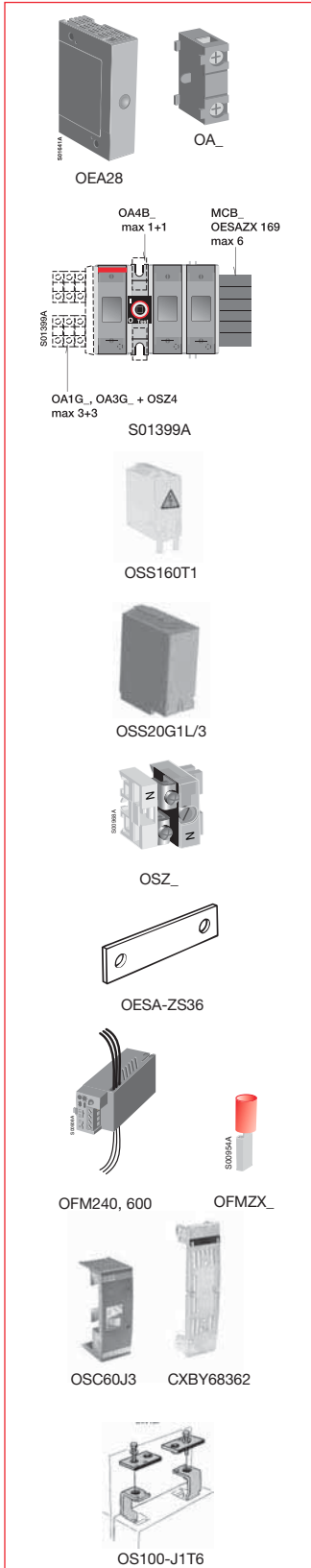




Accessories for 30A – 200A fusible disconnect switches



Auxiliary contacts

Description	For use on:	AC thermal amp rating	AC rated voltage	Catalog number	List price
Form C 1 N.O. & 1 N.C.	OS30 for direct mounting to switch ¹⁾	6	250	OA4B1C	
1 N.O. 1 N.C.	OS30-OS200	10 10	600 600	OA1G10 ²⁾ OA3G01	
Module for aux. contact	OS200			OEA28	
Mounting base (on the left side)	OA1G10 & OA3G01			OSZ4	

1) For OS30: Max. 6 auxiliary contacts mountable onto the left side with the mounting frame OSZ4.

Maximum number of auxiliary contacts under the mechanism cover:

OS60..200: Maximum 4 contact blocks, 4 Aux./Test contacts 2Test indication contacts

OS400..800: Maximum 8 contact blocks, 4 Aux./Test contacts 4Test indication contacts

OS1200: Maximum 12 contact blocks, 8 Aux./Test contacts 4Test indication contacts

Mounting on the left side of the switch fuse:

OS60-OS1200: Maximum 8 auxiliary contact blocks (N.O. or N.C.) with the OEA28 module.

Terminal shroud

For use on:	Lug type	Quantity for full protection ²⁾	Qty per pkg	Catalog number	List price
OS100	OZXA-24	2	3 x 1P	OSS160G1L/3	
OS200	OZXA-200	2	3 x 1P	OSS200G1L/3	
		2	4 x 1P	OSS200G1L/4	

²⁾ For both load and line sides

Terminal poles

Description	For use on:	AC thermal amp rating	AC rated voltage	Catalog number	List price
Detachable neutral mounts on side of switch or DIN rail	OS30	30	600	OESA-ZX171	
	OS60	60	600	OSZ1	
	OS100	100	600	OSZ2	
	OS200	200	600	OXN250	

Shorting bars

Description	For use on:	AC thermal amp rating	AC rated voltage	Catalog number	List price
Solid links	OS60J	60	600	OESA-ZD54	
	OS100J	100	600	OESA-ZS36	
	OS200J	200	600	OESA-ZK98	

Fuse monitor, suitable for 3 phase circuits

Description	For use on:	AC rated voltage	Catalog number	List price
The Red LED indicates any BLOWN fuse and the 1 NO and 1 NC aux. contact gives an alarm or a trip signal. The Green LED indicates NORMAL status.	OS30-100	100...240	OFM240	
	OS30-OS200	380...600	OFM600	
	OS200	100...240	OFS240	
	OS200	380...600	OFS600	
Terminal crimp for OS30...200, kit of 6 pieces			OFMZX2	

Fuse Carriers - (replacement part), kit of 3

Description	For use on :	Catalog number	List price
Removal fuse carrier	OS60	OSC60J3	

Replacement fuse covers

Description	For use on :	Catalog number	List price
Transparent fuse cover	OS100	CXBY68362	
Fuse Cover	OS200	CXBY68674	
Phase Barrier	OS200	CXBY68794	

"T" type fuse adapter kit

Description	For use on :	Catalog number	List price
100A, 600V, 3 pole	OS100	OS100-J1T6	