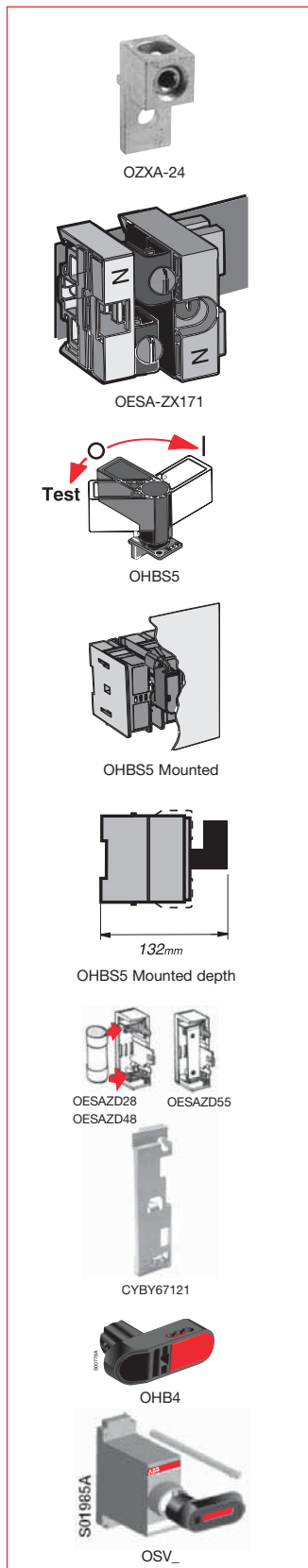


# Accessories

## 30A - 200A fusible disconnect switches



### Shafts alignment ring — for use on :

Description	For use on:	Catalog number	List price
Pistol Handles	OH_45, 65, 80, 125, 145, 175, J, L	OHZX10	

### Terminal lug kit

For use on:	Wire size	Wire type	Terminal lugs per kit	Catalog number	List price
OS100J	#14 - 2/0	Cu/Al	6	OZXA-24	
OS200J	#4 - 300 kcmil	Cu/Al	6	OZXA-200	

### Extension ring for pistol type handles

Description	For use on:	Catalog number	List price
Black	OHB_	OHZX14	

### Terminal pole

Description	For use on:	AC thermal amp rating	AC rated voltage	Catalog number	List price
Detachable neutral mounts on side of switch or DIN rail	OS30FA_	30	600	OESA-ZX171	

### Direct mount handle — mounts directly to switch, no shaft necessary for OS30

NEMA type	Color	Marking	Length mm	Padlockable	Catalog number	List price
1	Blk	O/I/Test	50	Yes	OHBS5 <sup>②</sup>	

### Fuse carriers – (replacement part)

Description	For use on :	Catalog number	List price
CC fuse carrier	OS30FACC_	OESAZD48	
J fuse carrier	OS30FAJ_	OESAZD28	
Solid link carrier	OS30_	OESAZD55	

### Terminal cover – (replacement part)

Description	For use on :	Catalog number	List price
Covers terminal below fuse carrier	OS30FA_	CXBY67121	

### Direct mounted handle

For use on:	Color	Marking	Length mm	Padlockable	Catalog number	List price
OS60-OS100 OS200	Black	O/I	50	Yes	OSV200BK <sup>②</sup>	

<sup>②</sup> Padlockable with three padlocks in the OFF-position. Includes shaft and mechanism cover.