

Low Voltage Switches

Switches Switch-disconnectors OT, OETL and OTM

Switch-disconnectors

OT 16...2500, OETL 3150

Contents

4	Product overview
6	Features
8	Technical data
18	Ordering information, manual operation
18	Front operated switch-disconnectors OT, OETL
24	Side operated switch-disconnectors OT
25	Earthing switches OT
26	Ordering information, motorized operation
26	Motorized switch-disconnectors OTM
27	Ordering information, accessories
27	Selection overview
29	Optional handles and handle accessories
35	Shafts and shaft accessories
37	Auxiliary contacts
40	Fourth poles and neutral/earth links
41	Terminal shrouds
42	Phase barriers and spare handle/fuse storage (for OTM)
43	Connecting accessories
45	Conversion kits
47	Locking and mounting accessories, motor operator
48	Interlocking
50	Dimension drawings, manual operation
67	Dimension drawings, motorized operation
71	Dimension drawings, accessories
77	Contact functions
79	Index

Switch-disconnectors 16...3150 Amperes

Manual operation



IEC	OT16F	OT63F	OT100F	OT160E	OT160EV	OT315E
	OT25F	OT80F	OT125F		OT200E	OT400E
	OT40F				OT250E	
UL	OT16F	OT63F	OT30F	OT160E		OT200U
	OT25F	OT80F	OT60F			
	OT40F		OT100F			

Switch size	16 25 40	63 80	30 60 100 125	160	160 200 250	200	315 400
IEC I_{th} [A]	25 32 40	63 80	115 125	200	200 200 250		315 400
I_n /AC22A ≤ 415V [A]	16 25 40	63 80	100 125	160	200 200 250		315 400
I_n /AC23A ≤ 415V [A]	16 20 23	45 75	80 90	135	200 200 250		315 400
UL Ampere rating [A]	20 30 40	60 80	30 60 100	100		200	

Motor operation



IEC	OTM160E	OTM315E
	OTM200E	OTM400E
	OTM250E	

Switch size [A]	160 200 250	315 400
------------------------	--------------------	----------------

Accessories

- Optional handles
- Extended shafts
- Legend plates
- Auxiliary contacts
- Fourth poles

- N & PE terminals
- Terminal shrouds
- Connecting accessories
- Conversion kits
- Locking accessories
- Motor operators



	OT630E		OT1000E		OT2000E		OETL3150K
	OT800E		OT1250E		OT2500E		
			OT1600E				
OT400U	OT600U		OT800U				OETL-NF1600
			OT1200U				OETL-NF2000

400	600 630 800	800 1000 1200 1250 1600		2000 2500	1600 2000 3150
	630 800	1000 1250 1600		2000 2500	3150
	630 800	1000 1250 1600		2000 2500	
	630 800	1000 1250 1600			
400	600	800 1200			1600 2000



OTM630E		OTM1000E		OTM1600E		OTM2000E
OTM800E		OTM1250E				OTM2500E

630 800	1000 1250	1600	2000 2500
---------	-----------	------	-----------

Enhanced range of switch-disconnectors From 16 to 3150 A, 690 V

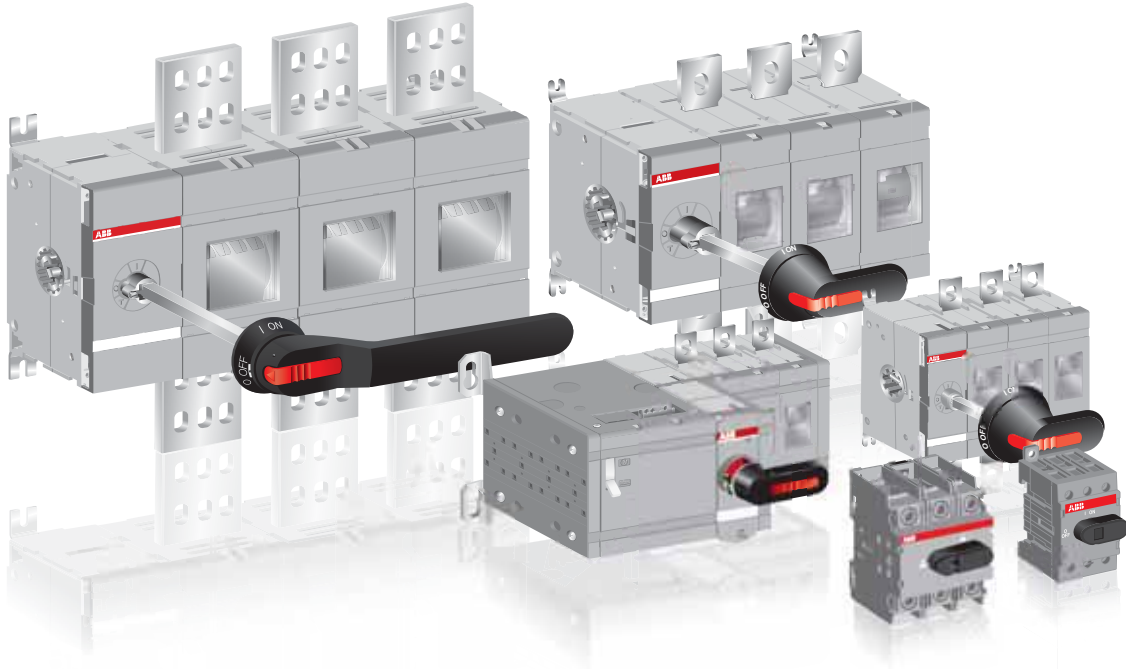


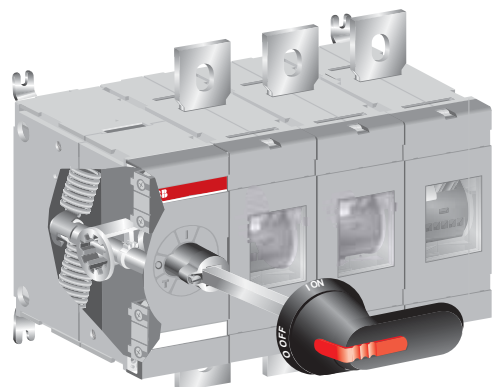
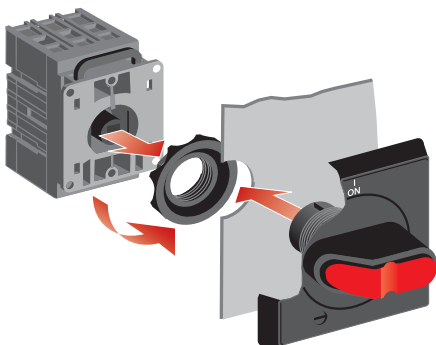
ABB switch-disconnectors are suitable for diverse applications, in motor control centers, in switchboards and as main switches in various equipment and machines. From single to 8-poles front operated switches with pistol handle or direct mounted handle. For installation in enclosures, side operated switches, switches with wide phase distance and combination switches for change-over, bypass, reversing etc.

- Mountable on DIN rails or base plates and on the door, both by snap-on and screw fitting
- Snap-on mounting of accessories
- Motorized switch-disconnectors OTM are suitable for remote control

The most compact disconnect (isolation) solution

Optimally designed, the OT switch-disconnector offers an advanced and compact solution, providing you with added value.

- The new double-sided spring construction in combination with fewer components made an innovative and compact design of the operation mechanism possible.
- The uniquely short current path enabled a small-sized contact construction.



ABB's switch-disconnector range meets disconnect and isolation requirements more effectively than ever, maximizing the benefits and optimizing your use of assets.

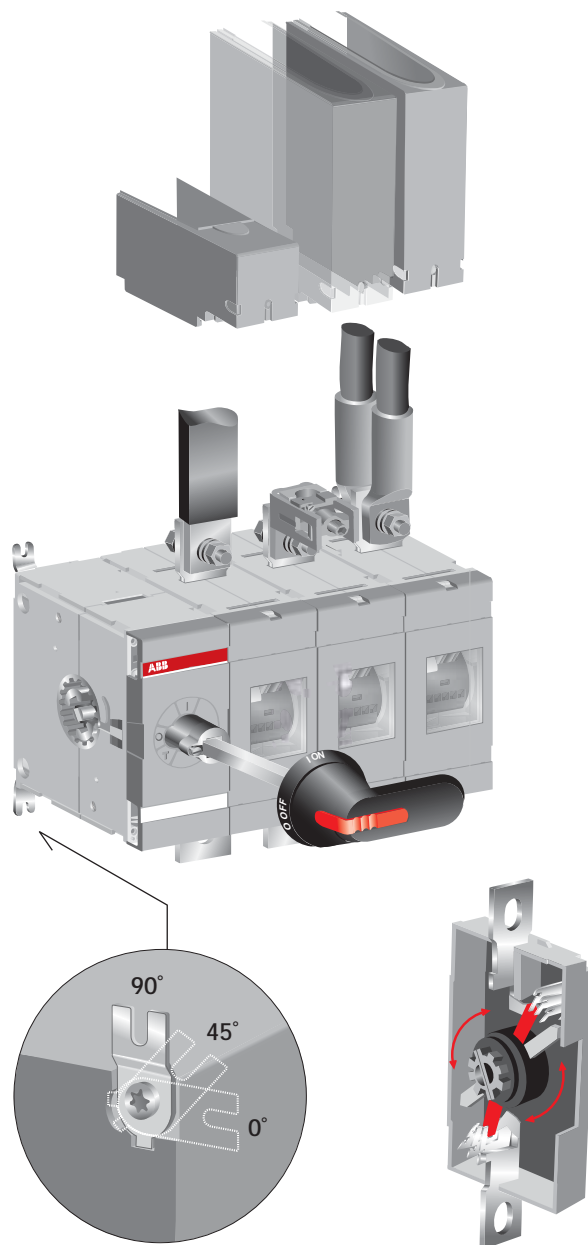
High performance despite the small size

The powerful construction, with its quick-make and quick-break operation features and two contact points instead of one, adds value to and enhances the performance of the switch-disconnectors.

- The OT range offers you improved power ratings. Full I_{th} ratings can be used both in open air and in enclosures, without having to derate or enlarge the box.
- User-friendly and flexible, the OT switch-disconnector provides you with full AC-23A current ratings for all the voltages, even up to 690 V.

The OT switch-disconnector is easy to use and easy to install according to your choice: horizontally or vertically - even in the ceiling! The adjustable mounting feet allow both top and side mounting of the switch.

ABB's switch-disconnector range meets disconnect and isolation requirements more effectively than ever, maximizing the benefits and optimizing your use of assets.



Switch-disconnectors OT 16...160

Technical data

Technical data according to IEC 60947-3

	Size	A	16	
	Switch type		OT16	
Rated insulation voltage and rated operational voltage AC20/DC20 Pollution degree 3		V	750	
Dielectric strength	50 Hz 1min.	kV	6	
Rated impulse withstand voltage		kV	8	
Rated thermal current and rated operational current AC20/DC20	ambient 40°C ⁹⁾	In open air	25	
	ambient 40°C ⁹⁾	In enclosure	25	
	ambient 60°C	In enclosure	20	
..with minimum conductor cross section	Cu	mm ²	4	
Rated operational current, AC-21A	up to 415 V	A	16	
	440 - 690 V	A	16	
Rated operational current, AC-22A	up to 415 V	A	16	
	440 - 500 V	A	16	
	690 V	A	16	
Rated operational current, AC-23A	up to 415 V	A	16	
	440 V	A	16	
	500 V	A	16	
	690 V	A	10	
Rated operational current / poles in series, DC-21A	24 - 48 V ⁹⁾	A	16/1	
	110 V	A	16/2	
	220 V	A	16/3	
	440 V	A	16/4	
	500 V	A	16/4	
	750 V	A	16/8	
Rated operational current / poles in series, DC-22A	24 - 48 V ⁹⁾	A	16/1	
	110 V	A	16/2	
	220 V	A	16/3	
	440 V	A	10/4	
	750 V	A	16/8	
Rated operational current / poles in series, DC-23A	24 - 48 V ⁹⁾	A	16/1	
	110 V	A	16/2	
	220 V	A	16/4	
	440 V	A	10/4	
	750 V	A	16/8	
Rated operational power, AC-23A (These values are given for guidance and may vary acc. to the motor manufacturer)	220-240 V	kW	3	
	400-415 V	kW	7.5	
	440 V	kW	7.5	
	500 V	kW	7.5	
	690 V	kW	7.5	
Rated breaking capacity, AC-23A	up to 415 V	A	128	
	440 V	A	128	
	500 V	A	128	
	690 V	A	80	
Rated breaking capacity/poles in series, DC-23A	24 - 48 V	A	64/1	
	110 V	A	64/2	
	220 V	A	64/3	
	440 V	A	40/4	
	750 V	A	64/8	
Rated conditional short-circuit current I_p (r.m.s.) and corresponding max. allowed cut-off current \hat{I}_c	I_p (r.m.s.)	50 kA	kA	6.5
	Max. OFA_ fuse size gG/aM	≤ 415 V	A	40/32
The cut-off current \hat{I}_c refers to values listed by fuse manufacturers (single phase test acc. to IEC60269)	I_p (r.m.s.)	100 kA	kA	
	Max. OFA_ fuse size gG/aM	≤ 500 V	A	
	I_p (r.m.s.)	10 kA	kA	
	Max. OFA_ fuse size gG/aM	≤ 690 V	A	
Rated short-time withstand current	I_p (r.m.s.)	50 kA	kA	4
	Max. OFA_ fuse size gG/aM	≤ 690 V	A	25/16
Rated short circuit making capacity	r.m.s. -value I_{ow}	690V, 0.25 s	kA	
	r.m.s. -value I_{om}	690V, 1s	kA	0.5
Rated capacitor power (The capacitor ratings are limited by the fuse link.)	Peak value I_{om}	690V/500V	kA	0.705
Power loss / pole	400 - 415 V	kVA _r		6.5
Mechanical endurance	At rated operational current	W		0.3
Weight without accessories	Divide by two for operation cycles	Oper.		20 000
	3-pole	kg		0.11
Cable size	4-pole	kg		0.15
	Cu-wire size suitable for terminal clamps	mm ²		0.75-10
Terminal tightening torque	Counter torque required	AWG		18-8
Operating torque	3-pole switch-disconnector	Nm		0.8
		Nm		1

¹⁾ Below 48 V, two poles in parallel up to OT 80 are recommended particularly in polluted atmosphere

²⁾ 200A/min, 95 mm², use busbar connections OEZXX6/13 or OZXT2

³⁾ Acc. to IEC 60947-1, § 6.1.1.

25	40	63	80	100	125	160
OT25	OT40	OT63	OT80	OT100	OT125	OT160E
750	750	750	750	750	750	750
6	6	6	6	6	6	10
8	8	8	8	8	8	12
32	40	63	80	115	125	200
32	40	63	80	115	125	160
25	32	50	63	80	100	125
6	10	16	25	35	50	70
25	40	63	80	100	125	200 ^a
25	40	63	80	100	125	160
25	40	63	80	100	125	200 ^a
25	40	63	80	100	125	160
25	40	63	80	100	125	160
20	23	63	75	80	90	135
20	23	63	65	65	78	125
20	23	45	58	60	70	125
11	12	20	20	40	50	80
25/1	32/1	63/1	80/1	100/1	125/1	160/1
25/2	32/2	63/2	80/2	100/2	125/2	160/1
25/3	32/3	63/4	80/4	100/4	125/4	160/2
16/4	16/4	16/4	16/4			160/3
16/4	16/4	16/4	16/4			125/3
25/8	32/8					160/4
25/1	32/1	63/1	80/1	100/1	125/1	160/1
25/2	32/2	63/2	80/2	100/2	125/2	160/1
25/3	32/4	45/4	45/4	63/4	80/4	160/2
10/4	10/4	10/4	10/4			160/3
25/8	25/8					
25/1	32/1	63/1	80/1	100/1	125/1	160/1
25/2	32/2	63/2	80/2	100/2	125/2	160/1
25/4	32/4	45/4	45/4	63/4	63/4	160/2
10/4	10/4	10/4	10/4			160/3
16/8	16/8					
4	5.5	11	22	22	22	45
9	11	22	37	37	45	75
9	11	22	37	37	45	75
9	11	22	37	37	45	75
9	11	15	18.5	37	45	75
160	184	360	640	640	720	1 080
160	184	360	448	520	624	1 000
160	184	360	464	480	560	1 000
88	96	160	160	320	400	640
100/1	128/1	180/1	252/1	400/1	500/1	640/1
100/2	128/2	180/2	252/2	400/2	500/2	640/1
100/4	128/4	180/4	180/4	252/4	252/4	640/2
40/4	40/4	40/4	40/4			640/3
64/8	64/8					
6.5	6.5	13	13	16.5	16.5	
40/32	40/32	100/80	100/80	125/125	125/125	
		17	17			30
		100/80	100/80			200/250
				8.2	8.2	
				125/100	125/100	
4	4	11	11	10	10	24
25/16	25/16	80/63	80/63	63/63	63/63	200/250
						7
0.5	0.5	1	1.5	2.5	2.5	4
0.705	0.705	1.4	2.1	3.6	3.6	12
10	15	25	30	40	50	65
0.6	1.6	2.8	4.5	4.0	6.3	6.5
20 000	20 000	20 000	20 000	20 000	20 000	20 000
0.11	0.11	0.27	0.27	0.36	0.36	1.1
0.15	0.15	0.35	0.35	0.50	0.50	1.3
0.75-10	0.75-10	1.5-35	1.5-35	10-70	10-70	10-70
18-8	18-8	14-4	14-4	8-00	8-00	8-00
0.8	0.8	2	2	6	6	6
1	1	1.2	1.2	2	2	6

Switch-disconnectors OT 160..800

Technical data

Technical data according to IEC 60947-3

		Size	A
		Switch type	
Rated insulation voltage and rated operational voltage AC-20, DC-20	Pollution degree 3	50 Hz 1min.	V
Dielectric strength			kV
Rated impulse withstand voltage			kV
Rated thermal current and rated operational current AC-20, DC-20 in ambient 40 °C ⁴⁾	In open air		A
	In enclosure		A
...with minimum cable cross section		Cu	mm ²
Rated operational current, AC-21A		≤ 500 V	A
		690 V	A
		1000 V	A
Rated operational current, AC-22A		≤ 500 V	A
		690 V	A
		1000 V	A
Rated operational current, AC-23A		≤ 500 V	A
		690 V	A
		1000 V	A
Rated operational current / poles in series, DC-21A...23A ¹⁾		24 - 110 V	A
		220 V	A
		440 V	A
		660 V	A
Rated operational current / poles in series, DC-21B		800 V	A
		1000 V	A
Rated operational power, AC-23 ³⁾		230 V	kW
		400 V	kW
		415 V	kW
		500 V	kW
		690 V	kW
Rated breaking capacity in category AC-23		≤ 500 V	A
		690 V	A
Rated conditional short-circuit current I _p (r.m.s.) and corresponding max. allowed cut-off current I _c	I _p (r.m.s.)	100 kA, 500 V	kA
	Max. OFA_ fuse size	gG/aM	A
The cut-off current I _c refers to values listed by fuse manufacturers (single phase test acc. to IEC60269).	I _p (r.m.s.)	80 kA, 690 V	kA
	Max. OFA_ fuse size	gG/aM	A
Rated short-time withstand current	r.m.s. value I _{cw}	≤ 1000 V 0,15s	kA
		≤ 1000 V 0,25s	kA
		≤ 1000 V 1s	kA
Rated short-time making capacity	Peak value I _{cm}	≤ 1000 V	kA
Rated capacitor power	The capacitor ratings are limited by the fuse links	415 V	kVAr
When no initial charge on the capacitor		500 V	kVAr
		690 V	kVAr
Power loss / pole	With rated current		W
Mechanical endurance	Divide by two for oper. cycles		Oper.
Weight without accessories	3-pole switch		kg
Terminal bolt size	Metric thread diameter x length		mm
Terminal tightening torque	Counter torque required		Nm
Operating torque	3-pole switch disconnector		Nm

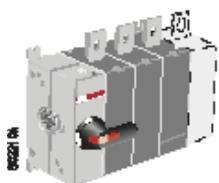
¹⁾ Further ratings on request

²⁾ Category B

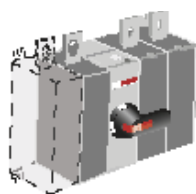
³⁾ These values are given for guidance and may vary acc. to the motor manufacturer.

⁴⁾ Acc. to IEC 60947-1, § 6.1.1.

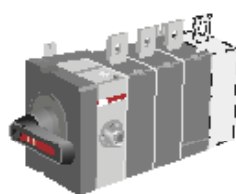
Placing options of the operating mechanism



At the end of the switch fuse
OT_03 or 04



Between the poles
OT_12 or 22



Side operated types
OT_30 or 40
OT_03 or 04

160	200	250	315	400	630	800
OT160EV	OT200E	OT250	OT315	OT400	OT630	OT800
1000	1 000	1 000	1 000	1 000	1 000	1 000
10	10	10	10	10	10	10
12	12	12	12	12	12	12
200	200	250	315	400	630	800
160	200	250	315	400	630	800
70	95	120	185	240	2x185	2x240
200	200	250	315	400	630	800
160	200	250	315	400	630	800
160	200	250	315	400	630	800
200	200	250	315	400	630	800
160	200	250	315	400	630	800
160	200	250	315	400	630	800
160	200	250	315	400	630	800
160	200	250	315	400	630	800
135	135	135	200	200	400	400
160/2	200/2	250/2	315/1 ²⁾	400/1 ²⁾	630/1	800/1
160/2	200/2	250/2	315/2 ²⁾	400/2 ²⁾	630/1	800/1
160/3	200/3	250/3	315/3	360/3	630/2	800/2
160/4	200/4	230/4 ²⁾	315/4	360/4	630/4 ²⁾	650/4 ²⁾
	200/5	250/5	315/5	400/5	600/5	600/5
	200/6	250/6	315/6	400/6	600/6	600/6
48	60	75	100	132	200	250
80	110	140	160	220	355	450
88	110	145	180	230	355	450
112	132	170	220	280	400	560
144	200	250	315	400	630	800
1280	1 600	2 000	2 520	3 200	5 040	6 400
1280	1 600	2 000	2 520	3 200	5 040	6 400
40.5	40.5	40.5	61.5	61.5	90	90
315/315	315/315	315/315	500/450	500/450	800/1 000	800/1 000
40.5	40.5	40.5	59	59	83.5	83.5
355/315	355/315	355/315	500/500	500/500	800/1 000	800/1 000
15	15	15	31	31	38	38
15	15	15	24	24	36	36
8	8	8	15	15	20	20
30	30	30	65	65	80	80
80	100	115	145	180	250	310
96	120	135	175	215	300	375
128	160	190	250	325	450	550
3.2	4	6.5	6.5	10	25	40
20 000	20 000	20 000	16 000	16 000	10 000	10 000
1.2	1.2	1.2	2.2	2.2	5.2	5.2
M8x25	M8x25	M8x25	M10x30	M10x30	M12x40	M12x40
15-22	15-22	15-22	30-44	30-44	50-75	50-75
7	7	7	16	16	27	27

Switch-disconnectors OT 1000...2500 and OETL 3150

Technical data

Technical data according to IEC 60947-3		Size	A
		Switch type	
Rated insulation voltage and rated operational voltage AC20/DC20	Pollution degree 3		V
Dielectric strength		50 Hz 1min.	kV
Rated impulse withstand voltage			kV
Rated thermal current and rated operational current AC20/DC20	ambient 40°C ¹⁾	In open air	A
	ambient 40°C ²⁾	In enclosure	A
	ambient 60°C	In enclosure	A
..with minimum conductor cross section	Cu		mm ²
Rated operational current, AC-21A		up to 690 V	A
		1000 V	A
Rated operational current, AC-22A		up to 500 V	A
		690 V	A
Rated operational current, AC-23A		up to 500 V	A
		690 V	A
Rated operational current / poles in series, DC-21A		24 - 48 V	A
		110 V	A
		220 V	A
Rated operational power, AC-23A		400-415 V	kW
(These values are given for guidance and may vary acc. to the motor manufacturer)		440 V	kW
		500 V	kW
		690 V	kW
Rated breaking capacity, AC-23A		up to 500 V	A
		690 V	A
Rated conditional short-circuit current I_p (r.m.s.) and corresponding max. allowed cut-off current \hat{i}_c	I_p (r.m.s.)	80 kA	kA
The cut-off current \hat{i}_c refers to values listed by fuse manufacturers (single phase test acc. to IEC60269)	Max. OFA_ fuse size gG/aM	≤ 415 V	A
	I_p (r.m.s.)	100 kA	kA
	Max. OFA_ fuse size gG/aM	≤ 500 V	A
	I_p (r.m.s.)	50 kA	kA
	Max. OFA_ fuse size gG/aM	≤ 690 V	A
Rated short-time withstand current	r.m.s. -value I_{cw}	690 V 0.25s	kA
		690 V 1s	kA
Rated short circuit making capacity	Peak value I_{cm}	415 V	kA
		500 V	kA
		690 V	kA
	Max. distance from switch frame to nearest busbar/cable support		mm
Rated capacitor power	The capacitor ratings	415 V	kVAr
When no initial charge on the capacitor	are limited by the fuse links	500 V	kVAr
		690 V	kVAr
Power loss / pole	At rated operational current		W
Mechanical endurance	Divide by two for operation cycles		Oper.
Weight without accessories	3-pole		kg
	4-pole		kg
Terminal bolt size	Metric thread diameter x length		mm
Terminal tightening torque	Counter torque required		Nm
Operating torque	3-pole switch-disconnector		Nm

¹⁾ Extended phase distance (185 mm)

²⁾ IEC 947-3, utilization category B, infrequent operation

³⁾ Phase barriers or terminal shrouds must be used on both sides of the switch at voltages ≥ 500 V.

⁴⁾ Pf. 0.65

⁵⁾ Maximum distance between busbar support and switch terminal 70 mm.

⁶⁾ 690 V: 2500 A

⁷⁾ The value is 92 kA for 4-pole switch-disconnectors.

⁸⁾ Acc. to IEC60947-1, § 6.1.1.

1000	1250	1600	2000	2500	3150
OT1000	OT1250	OT1600	OT2000	OT2500	OETL3150
1 000	1 000	1 000	1 000	1 000	1 000
10	10	10	10	10	8
12	12	12	12	12	8
1 000	1 250	1 600	2 000	2 500	3 150
1 000	1 250	1 600			2 600
					2 300
2x300	2x400	2x500	3x500	4x500	3x(100x10)
1 000	1 250	1 600	2 000 ²⁾	2 500 ²⁾	3 150 ^{2) 6)}
1 000	1 250	1 600			1 000 ²⁾
1 000	1 250	1 600	2 000 ^{2) 3)}	2 500 ^{2) 3)}	1 600 ²⁾
1 000	1 250	1 600	2 000 ^{2) 3)}	2 500 ^{2) 3)}	
1 000	1 250	1 250			
1 000	1 250	1 250			
560	710	710			
630	800	800			
710	900	900			
1 000	1 200	1 200			
10 000	10 000	10 000			6 400
10 000	10 000	10 000			4 800 ⁴⁾
100	100	100			140
1 250/1 250	1 250/1 250	1 250/1 250			
106	106	106			140
1 250/1 250	1 250/1 250	1 250/1 250			
					105
50	50	50	80	80	
50	50	50	55	55	80 ⁵⁾
					176 ¹⁾
					140
110 ⁷⁾	110 ⁷⁾	110 ⁷⁾	176	176	105
150	150	150	150	150	
460	575	575			
550	690	690			
750	950	950			
19	29	48	55	85	140
6 000	6 000	6 000	6 000	6 000	1 200
14.1	14.1	15.2	22	22	37
18	18	19.5	28	28	47
M12x50	M12x50	M12x60	M12x60	M12x60	M12x60
50...75	50...75	50...75	50-75	50-75	50...75
65	65	65	65	65	50

Non fusible disconnect switches OT 16...600

Technical data

	Size	A	20	30
	Switch type		OT16_	OT25_
	Approvals ¹⁾	2 pole 3 pole 4 pole	UL508 & IEC UL508 & IEC	UL508 & IEC UL508 & IEC
Technical data according to UL/CSA, AC ratings				
General purpose amp rating	pf= 0.7...0.8	-40° to 40 °C	A	20
Max. operating voltage			V	600
Max. horsepower rating /motor FLA current	pf= 0.4...0.5	240 V	HP/A	5/15.2
	Three phase	480 V	HP/A	10/14.0
		600 V	HP/A	15/17
	Single phase	120 V	HP/A	1/16.0
		240 V	HP/A	2/13.2
Short circuit rating with fuse	Maximum fuse size		A	30 :60 ²⁾
	Fuse type	CC	kA	10
	Fuse type	J	kA	10
	Fuse type	T	kA	10
	Fuse type	RK1	kA	10
	Fuse type	RK5	kA	5
	Fuse type	L	kA	
	Fuse type	H	kA	
Maximum General Use, DC ratings				
Current rating		at 250VDC	A	
		at 600VDC	A	
DC horsepower rating for 4-pole switch		at 600VDC	HP	
DC horsepower rating for 2-pole switch		at 125VDC	HP	
		at 250VDC	HP	
DC short circuit rating for 4-pole switch		with circuit breaker	kA	
DC short circuit rating for 2-pole switch		with circuit breaker at 250VDC	kA	
		with circuit breaker at 600VDC	kA	
		with class J fuse at 250VDC	kA	
		... with fuse size	A	
Endurances				
Min. electrical endurance, pf. 0,75 - 0,8		oper. cycles	6 000	6 000
Mechanical endurance		operations	20 000	20 000
Terminal lug kits		integral	integral	integral
Wire range		AWG	18-8	18-8
Torque	Wire tightening	lb.in	7	7
	Lug mounting			
Technical data according to IEC 60947-3				
Rated insulation voltage and rated operational voltage AC20/DC20	Pollution degree 3		V	750
Dielectric strength		50 Hz 1min.	kV	6
Rated impulse withstand voltage			kV	8
Rated operational current, AC-22A		up to 415 V	A	16
		440 - 500 V	A	16
		690 V	A	16
Rated operational current, AC-23A		up to 415 V	A	16
		440 V	A	16
		500 V	A	16
		690 V	A	10
Rated conditional short-circuit current I_p (r.m.s.) and corresponding max. allowed cut-off current \hat{I}_c	I_p (r.m.s.)	50 kA	kA	6.5
The cut-off current \hat{I}_c refers to values listed by fuse manufacturers (single phase test acc. to IEC60269)	Max. OFA_ fuse size gG/aM	415 V	A	40/32
	I_p (r.m.s.)	10 kA	kA	
	Max. OFA_ fuse size gG/aM	690 V	A	
	I_p (r.m.s.)	50 kA	kA	4
	Max. OFA_ fuse size gG/aM	690 V	A	25/16
	at prospective SC-current	80 kA	kA	
	Max. OFA_ fuse size gG/aM	690 V	A	
Rated short-time withstand current	r.m.s. -value I_{cw}	690V, 1s	kA	0.5
Rated short circuit making capacity	Peak value I_{cm}	690V/500V	kA	0.705
Power loss / pole		At rated operational current	W	0.3
Mechanical endurance		Divide by two for operation cycles	Oper.	20 000
Weight without accessories		3-pole	kg	0.11
		4-pole	kg	0.15

¹⁾ UL Listed switches are also CSA Approved

²⁾ Fuse size 70A for RK5

³⁾ 200A/min. 95 mm², use busbar connections OEZX16/13 or OZXT2

40		60		80		30		60		100		100		200		400		600	
OT40_		OT63_		OT80_		OT30_		OT60_		OT100_		OT160_		OT200_U		OT400_U		OT600_U	
UL508 & IEC UL508 & IEC		UL508 & IEC UL508 & IEC		UL508 & IEC UL508 & IEC		UL 98 & IEC UL 98 & IEC		UL 98 & IEC UL 98 & IEC		UL 98 & IEC UL 98 & IEC		UL 98 & IEC UL 98 & IEC		UL 98 & IEC UL 98 & IEC		UL 98 & IEC UL 98 & IEC		UL 98 & IEC UL 98 & IEC	
40 600		60 600		80 600		30 600		60 600		100 600		100 600		200 600		400 600		600 600	
10/28.0		15/42.0		20/54.0		10/28.0		20/54.0		30/80.0		40/104.0		75/192.0		125/312.0		200/480.0	
20/27.0		30/40.0		40/52.0		20/27.0		40/52.0		50/65.0		75/96.0		150/180.0		250/302.0		450/515.0	
25/27.0		30/32.0		40/41.0		30/32.0		40/41.0		50/52.0		100/99.0		200/192.0		350/336.0		500/472.0	
2/24.0		2/24.0		2/24.0		2/24.0		3/34.0		5/56.0		7.5/80.0							
5/30.8		7.5/40.0		10/57.5		5/28.0		7.5/40.0		15/68.0		20/88.0							
30 60 ⁹⁾		100 150		100 150		60		150		150		200		200 400		600		600 800	
10		10		100		100		50		50		50		100		200		65 100	
10		10		100		100		50		50		50						100	
10		5		10		5												100	
5		5		5		5												100	
														200		400		600	
														100		200		200	
														50		50		-	
														20		40		-	
														-		50		50	
														10		10		10	
														14		14		18	
														10		10		10	
														100		100		100	
														200		400		600	
6 000		6 000		6 000		6 000		6 000		6 000		6 000		6 000		1 000		1 000	
20 000		20 000		20 000		20 000		20 000		20 000		20 000		20 000		16 000		10 000	
integral		integral		integral		integral		integral		integral		integral		OZXA-200		OZXA-400		OZXA-800	
18-8		14-4		14-4		14-4		14-4		8-1/0		8-1/0		4-300MCM		2-600MCM		2x2-600MCM	
7		18		18		55		55		55		70		275		375		500	
														72		240		480	
750		750		750		750		750		750		750		1 000		1 000		1 000	
6		6		6		6		6		6		10		10		10		10	
8		8		8		8		8		8		12		12		12		12	
40		63		80		40		63		100		200 ⁹⁾		250		400		800	
40		63		80		40		63		100		160		250		400		800	
40		63		80		40		63		100		160		250		400		800	
23		45		75		40		63		80		135		250		400		800	
23		45		65		40		63		65		125		250		400		800	
23		45		58		40		63		60		125		250		400		800	
12		20		20		40		40		40		80		250		400		800	
6.5		13		13		16.5		16.5		16.5									
40/32		100/80		100/80		125/125		125/125		125/125									
						8.2		8.2		8.2									
						125/100		125/100		125/100									
4		11		11		10		10		10		24		35		50.5		71.5	
25/16		80/63		80/63		63/63		63/63		63/63		200/250		355/315		500/500		800/1 000	
														40.5		59		83.5	
														355/315		500/500		800/1 000	
0.5		1		1.5		2.5		2.5		2.5		4		8		15		20	
0.705		1.4		2.1		3.6		3.6		3.6		12		30		65		80	
1.6		2.8		4.5		0.7		1.6		4.0		6.5		6.5		10		40	
20 000		20 000		20 000		20 000		20 000		20 000		20 000		20 000		16 000		10 000	
0.11		0.27		0.27		0.36		0.36		0.36		1.1		1.2		2.2		5.2	
0.15		0.35		0.35		0.50		0.50		0.50		1.3		1.5		2.8		6.4	

Non fusible disconnect switches

OT 800...1200 and OETL-NF 1600...2000

Technical data

	Size	A	800	1200	1600	2000	
	Switch type		OT800U_	OT1200U_	OETL -NF1600P	OETL -NF2000P	
Approvals ¹⁾	2 pole				UL 98 & IEC	UL 98 & IEC	
	3 pole	UL 98 & IEC	UL 98 & IEC	UL 98 & IEC	UL 98 & IEC	UL 98 & IEC	
	4 pole	UL 98 & IEC	UL 98 & IEC		IEC	IEC	
Technical data according to UL/CSA AC Ratings							
General purpose amp rating	pf= 0.7...0.8	-40° to 40 °C	A	800	1200	1600	2000
Max. operating voltage			V	600	600	600	480
Max. horsepower rating	pf= 0.4...0.5	240 V	HP/A	200/602			
/max. motor FLA current	Three phase	480 V	HP/A	500/590			
		600 V	HP/A	500/472			
Short circuit rating with fuse	Fuse type	L	kA	100	100	100	100
Maximum fuse size			A	800	1200	2000	2000
Endurances							
Min. electrical endurance, pf. 0,75 - 0,8		oper. cycles		500	500	500	500
Mechanical endurance		operations		6 000	6 000	4 000	4 000
Terminal lug kits				OZXA-800	OZXA-1200	OZXA28	OZXA28/2
Wire range		AWG		2x2-600MCM	4x2-600MCM	4x2-600MCM	8x2-600MCM
Torque	Wire tightening	lb.in		500	500	375	375
	Lug mounting	lb.in		480	450-670	230	230
Technical data according to IEC 60947							
Rated insulation voltage and rated operational voltage AC20/DC20	Pollution degree 3		V	1000	1000	1000	1000
Dielectric strength	50 Hz 1min.		kV	10	10	8	8
Rated impulse withstand voltage			kV	12	12	8	8
Rated operational current, AC-22A		up to 415 V	A	1600	1600	1600	1600 ³⁾
		440 - 500 V	A	1600	1600	1600	1600 ³⁾
		690 V	A	1600	1600		
Rated operational current, AC-23A		up to 415 V	A	1250	1250	800	
		440 V	A	1250	1250	800	
		500 V	A	1250	1250	800	
		690 V	A	1250	1250		
Rated conditional short-circuit current I_p (r.m.s.) and corresponding max. allowed cut-off current \hat{i}_c	I_p (r.m.s.)	50 kA	kA			105	140
	Max. OFA_ fuse size gG/aM	415 V	A				
	I_p (r.m.s.)	50 kA	kA			105	140
	Max. OFA_ fuse size gG/aM	500 V	A				
The cut-off current \hat{i}_c refers to values listed by fuse manufacturers	I_p (r.m.s.)	50 kA	kA			105	105
(single phase test acc. to IEC60269)	Max. OFA_ fuse size gG/aM	690 V	A				
Rated short-time withstand current	R.M.S. -value I_{cw}	690V 1s	kA	50	50	50 ²⁾	80 ²⁾
Rated short circuit making capacity	Peak value I_{cm}	500/690 V	kA	110 ⁴⁾	110 ⁴⁾	105	140/105
Power loss / pole	At rated operational current		W	29	48	67	90
Weight without accessories		3-pole	kg	15.2	15.2	17.5	37
		4-pole	kg	19.5	19.5	22.5	47
Terminal bolt size	Metric thread diameter x length	mm		M12x50	M12x60	M12x60	M12x60

¹⁾ UL Listed switches are also CSA Approved

²⁾ Max. distance between busbar support and switch terminal 70 mm.

³⁾ IEC60947-3 category B

⁴⁾ The value is 92 kA for 4-pole switch disconnecter

Technical data, motor operators

OTM160...2500

Technical data

Data for motor operator of switch-disconnectors		Size	A	160...250	315...400	600...800	1000...2500
OTM according to IEC 60947		Switch type					
Rated operational voltage U_e	Pollution degree 3 50/60 Hz		V AC	220 - 240	220 - 240	220 - 240	220 - 240
Operating voltage range				0.85 - 1.1 x U_e	0.85 - 1.1 x U_e	0.85 - 1.1 x U_e	0.85 - 1.1 x U_e
Operating time ¹⁾	90° I - 0, 0 - I	220-240VAC	s	0.5 - 1.0	0.5 - 1.0	0.5 - 1.5	1.0 - 2.0
Nominal current I_n ¹⁾		220-240VAC	A	0.3	0.5	0.9	1.4
Current inrush ¹⁾		220-240VAC	A	1.5	2.5	4.0	10
Overload fuse	Type / I_n / Capacity	220-240VAC	mA	T / 315 / H	T / 500 / H	T / 1000 / H	T / 2000 / H
	Size		mm	5x20	5x20	5x20	5x20
Operating rate	Cycle 0 - I - 0						
	Max. continuous	220-240VAC	cycles / min	1	1	1	0.5
	Max. short-time ≤ 10 cycles	220-240VAC	cycles / min	10	10	10	5
Overvoltage category				III	III	III	III
Rated impulse withstand voltage U_{imp}			kV	4	4	4	4
Dielectric strength	50 Hz 1 min.		kV	1.5	1.5	1.5	1.5
Impulse command	Min. impulse duration		ms	100	100	100	100
Terminals	Voltage supply wiring for U_e			PE - N - L	PE - N - L	PE - N - L	PE - N - L
	Cross section	solid/stranded	mm ²	1.5 - 2.5	1.5 - 2.5	1.5 - 2.5	1.5 - 2.5
	Short-circuit protection device	max.fuse size	A	16	16	16	16
	Push-button control	C - I - O		no SELV	no SELV	no SELV	no SELV
	Cross section	solid/stranded	mm ²	1.5 - 2.5	1.5 - 2.5	1.5 - 2.5	1.5 - 2.5
	Maximum cable length		m	100	100	100	100
State information of locking				no SELV	no SELV	no SELV	no SELV
	Handle attached or motor operator locked	11-12-14 (C/O)	cosφ=1	5A/250V	5A/250V	5A/250V	5A/250V
	Locking motor operator	23-24 (NO)	cosφ=1	5A/250V	5A/250V	5A/250V	5A/250V
	Short-circuit protection device	MCB type and size		C/2A	C/2A	C/2A	C/2A
Protection degree				IP20	IP20	IP20	IP20
Operating temperature			°C	-25...+55	-25...+55	-25...+55	-25...+55
Transportation and storage temperature			°C	-40...+70	-40...+70	-40...+70	-40...+70
Max. altitude			m	2000	2000	2000	2000

¹⁾ Under nominal conditions

Switch-disconnectors, base and DIN-rail mounting

Ordering information

Front operated switch-disconnectors

Types OT 16...125 include protected terminal clamps, IP 20.
The type and the ordering numbers are for one piece.

Number of poles	I_{th} (open) [A]	Cable cross section [mm ²]	Rated operat. currents AC22A/AC23A 400V [A/A]	Type	Order number	Delivery batch [pcs]	Weight/unit [kg]
3	25	0.75...10	16 / 16	OT16F3	1SCA104811R1001	10	0.11
4	25	0.75...10	16 / 16	OT16F4N2	1SCA104829R1001	10	0.14
3	32	0.75...10	25 / 20	OT25F3	1SCA104857R1001	10	0.11
4	32	0.75...10	25 / 20	OT25F4N2	1SCA104886R1001	10	0.14
3	40	0.75...10	40 / 23	OT40F3	1SCA104902R1001	10	0.11
4	40	0.75...10	40 / 23	OT40F4N2	1SCA104932R1001	10	0.14
3	63	1.5...35	63 / 45	OT63F3	1SCA105332R1001	10	0.27
4	63	1.5...35	63 / 45	OT63F4N2	1SCA105365R1001	10	0.30
3	80	1.5...35	80 / 75	OT80F3	1SCA105798R1001	10	0.27
4	80	1.5...35	80 / 75	OT80F4N2	1SCA105413R1001	10	0.30
3	115	10...70	100 / 80	OT100F3	1SCA105004R1001	10	0.36
4	115	10...70	100 / 80	OT100F4N2	1SCA105018R1001	10	0.50
3	125	10...70	125 / 90	OT125F3	1SCA105033R1001	10	0.36
4	125	10...70	125 / 90	OT125F4N2	1SCA105051R1001	10	0.50
3	125		125/90	OT125FL3 ³⁾	1SCA112372R1001	1	0.43
3	125		125/90	OT125FLA3 ⁴⁾	1SCA114832R1001	1	0.43
3	125		125/90	OT125FLB3 ⁵⁾	1SCA114833R1001	1	0.43
3	200	10...70	200 ¹⁾ /135	OT160E3 ²⁾	1SCA022257R5950	1	1.2
4	200	10...70	200 ¹⁾ /135	OT160E4 ²⁾	1SCA022259R8060	1	1.4
3	200	10...70	200 ¹⁾ /135	OT160E3-2	1SCA022297R4060	1	1.0

Shafts and handles included as standard

Suitable for switches	Included shaft	Included handle
OT160E3, _E4	OXF6X210	OHB65J6

Front operated, 6- and 8-pole switch-disconnectors

Including protected terminal clamps, IP 20.

Number of poles	I_{th} (open) [A]	Cable cross section [mm ²]	Operational currents AC22/AC23 400V [A/A]	Type	Order number	Units/type [pcs]	Weight/unit [kg]
6	25	0.75...10	16/16	OT16F6	1SCA104834R1001	1	0.25
6	32	0.75...10	25/20	OT25F6	1SCA104880R1001	1	0.25
6	40	0.75...10	40/23	OT40F6	1SCA104936R1001	1	0.25
6	63	1.5...35	63/45	OT63F6	1SCA105379R1001	1	0.61
6	80	1.5...35	80/75	OT80F6	1SCA105427R1001	1	0.61
6	115	10...70	100/80	OT100F6	1SCA105021R1001	1	0.81
6	125	10...70	125/90	OT125F6	1SCA105057R1001	1	0.81
8	25	0.75...10	16/16	OT16F8	1SCA104836R1001	1	0.31
8	32	0.75...10	25/20	OT25F8	1SCA104882R1001	1	0.31
8	40	0.75...10	40/23	OT40F8	1SCA104938R1001	1	0.31
8	63	1.5...35	63/45	OT63F8	1SCA105381R1001	1	0.67
8	80	1.5...35	80/75	OT80F8	1SCA105429R1001	1	0.67
8	115	10...70	100/80	OT100F8	1SCA105022R1001	1	1.1
8	125	10...70	125/90	OT125F8	1SCA105059R1001	1	1.1

¹⁾ 200A/min. 95 mm², use busbar connections OEZXX6/13 or OZXT2

²⁾ Handle and shaft included

³⁾ Extended terminals on both sides of the switch

⁴⁾ Extended terminals on top side only

⁵⁾ Extended terminals on bottom side only

S04049



OT16 - 40F3

S04050



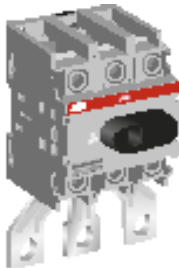
OT 63 - 80F3

S04051



OT 100 - 125F3

S07089



OT125FLB3

S00464B



OT 160E3

S04052



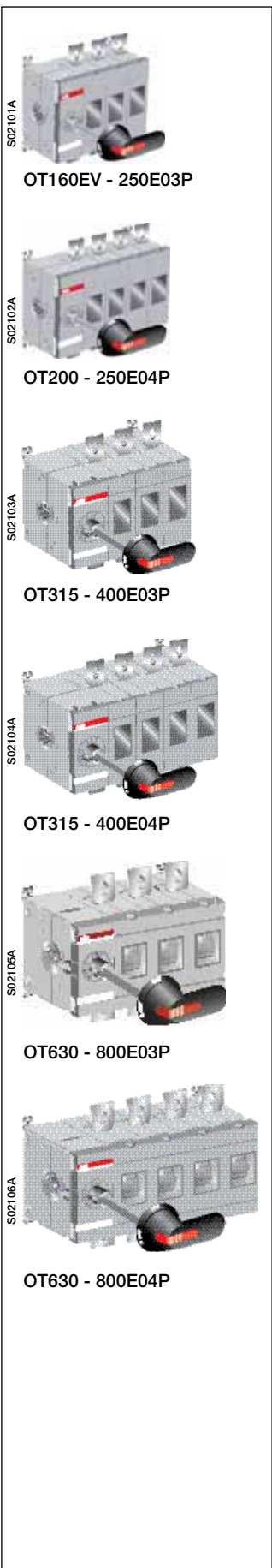
OT16 - 40F6

Switch-disconnectors, base mounting

Ordering information

Front operated switch-disconnectors, with pistol handle

Including a black ON-OFF plastic handle and shaft as standard. The handle is IP65 protected, padlockable in the OFF-position and with door interlock in the ON-position. The shaft is adjustable for a range of installation depths.



Number of poles	I _{th} (Open) [A]	Rated operat. currents AC22A/AC23A 400V [A/A]	Type	Order number	Units/ type [pcs]	Weight/ unit [kg]
3	200	200/160	OT160EV03P	1SCA120514R1001	1	1.6
4	200	200/160	OT160EV04P	1SCA120521R1001	1	2.0
3	200	200/160	OT160EV12P	1SCA120529R1001	1	1.6
4	200	200/160	OT160EV22P	1SCA120537R1001	1	2.0
3	200	200/200	OT200E03P	1SCA022712R0800	1	1.6
4	200	200/200	OT200E04P	1SCA022713R4930	1	2.0
3	200	200/200	OT200E12P	1SCA022721R3990	1	1.6
4	200	200/200	OT200E22P	1SCA022721R4020	1	2.0
3	250	250/250	OT250E03P	1SCA022710R0100	1	1.6
4	250	250/250	OT250E04P	1SCA022710R0520	1	2.0
3	250	250/250	OT250E12P	1SCA022721R4110	1	1.6
4	250	250/250	OT250E22P	1SCA022721R4290	1	2.0
3	315	315/315	OT315E03P	1SCA022718R8510	1	3.1
4	315	315/315	OT315E04P	1SCA022719R1730	1	3.7
3	315	315/315	OT315E12P	1SCA022727R4190	1	3.1
4	315	315/315	OT315E22P	1SCA022727R4270	1	3.7
3	400	400/400	OT400E03P	1SCA022718R8780	1	3.1
4	400	400/400	OT400E04P	1SCA022719R1810	1	3.7
3	400	400/400	OT400E12P	1SCA022727R5750	1	3.1
4	400	400/400	OT400E22P	1SCA022727R5830	1	3.7
3	630	630/630	OT630E03P	1SCA022718R8940	1	6.3
3+N ¹⁾	630	630/630	OT630E03N3P	1SCA022779R4860	1	6.7
4	630	630/630	OT630E04P	1SCA022719R2030	1	7.5
3	630	630/630	OT630E12P	1SCA022753R4790	1	6.3
4	630	630/630	OT630E22P	1SCA022753R4870	1	7.5
3	800	800/800	OT800E03P	1SCA022718R9410	1	6.3
3+N ¹⁾	800	800/800	OT800E03N3P	1SCA022779R4780	1	6.7
4	800	800/800	OT800E04P	1SCA022719R2110	1	7.5
3	800	800/800	OT800E12P	1SCA022753R5170	1	6.3
4	800	800/800	OT800E22P	1SCA022753R5250	1	7.5

Shafts and handles included as standard

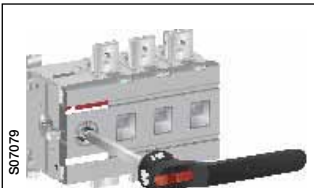
Suitable for switches	Included shaft	Included handle	Included terminal bolts
OT160EV...250_P	OMP6X210	OHB65J6	M8x25
OT315...400_P	OMP12X185	OHB95J12	M10x30
OT630...800_P	OMP12X185	OHB125J12	M12x40

¹⁾ Include a detachable neutral link integrated into the mechanism.

Switch-disconnectors, base mounting

Ordering information

Front operated switch-disconnectors



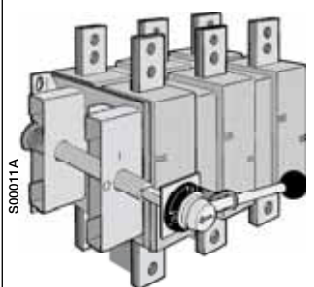
OT1000 - 1250_03P



OT1600_03P



OT2000 - 2500E03P



OETL3150K3

Number of poles	I_{th} (open) [A]	Rated oper. currents AC22A/AC23A 400V [A/A]	Type	Order number	Units/ type [pcs]	Weight/ unit [kg]
-----------------	---------------------	---	------	--------------	-------------------	-------------------

Including terminal bolt kit, a black ON-OFF plastic handle and shaft as standard. The handle is IP65 protected, padlockable in the OFF-position and with door interlock in the ON-position. The shaft is adjustable for a range of installation depths.

3	1000	1000/1000	OT1000E03P	1SCA022860R5930	1	17.0
3+N	1000	1000/1000	OT1000E03N3P	1SCA100761R1001	1	17.9
4	1000	1000/1000	OT1000E04P	1SCA022860R6150	1	19.5
3	1000	1000/1000	OT1000E12P	1SCA022871R5520	1	17.0
4	1000	1000/1000	OT1000E22P	1SCA022871R5610	1	19.5
3	1250	1250/1250	OT1250E03P	1SCA022860R6230	1	17.0
3+N	1250	1250/1250	OT1250E03N3P	1SCA022865R7060	1	17.9
4	1250	1250/1250	OT1250E04P	1SCA022860R6310	1	19.5
3	1250	1250/1250	OT1250E12P	1SCA022871R5790	1	17.0
4	1250	1250/1250	OT1250E22P	1SCA022871R5870	1	19.5
3	1600	1600/1250	OT1600E03P	1SCA022860R6580	1	19.0
3+N	1600 ⁵⁾	1600/1250	OT1600E03N3P	1SCA022865R6920	1	19.9
4	1600	1600/1250	OT1600E04P	1SCA022860R6740	1	22
3	1600	1600/1250	OT1600E12P	1SCA022871R5950	1	19.0
4	1600	1600/1250	OT1600E22P	1SCA022871R6090	1	22
3	2000	2000/-	OT2000E03P	1SCA108036R1001	1	42
3+N	2000 ⁵⁾	2000/-	OT2000E03N3P	1SCA108037R1001	1	42
4	2000	2000/-	OT2000E04P	1SCA108038R1001	1	48
3	2000	2000/-	OT2000E12P	1SCA108039R1001	1	42
4	2000	2000/-	OT2000E22P	1SCA108041R1001	1	48
3	2500	2500/-	OT2500E03P	1SCA104972R1001	1	42
3+N	2500 ⁵⁾	2500/-	OT2500E03N3P	1SCA108035R1001	1	42
4	2500	2500/-	OT2500E04P	1SCA105140R1001	1	49
3	2500	2500/-	OT2500E12P	1SCA104978R1001	1	42
4	2500	2500/-	OT2500E22P	1SCA105156R1001	1	49

Including an IP54 metallic handle with I-O-indication. Padlockable in the O-position.

3	3150	1600/-	OETL3150K3 ⁴⁾	1SCA022115R6340	1	37
3	3150	1600/-	OETL3150K185 ²⁾⁴⁾	1SCA022136R7550	1	38
4	3150	1600/-	OETL3150K4 ⁴⁾	1SCA022115R6510	1	47
3	3150	1600/-	OETL3150K3-2 ³⁾⁴⁾	1SCA022157R4260	1	37
3	3150	1600/-	OETL3150K3-H20 ⁴⁾¹⁾	1SCA022163R8090	1	37
3	3150	1600/-	OETL3150KV12	1SCA022290R3390	1	37
4	3150	1600/-	OETL3150KV22	1SCA022293R8260	1	47

Shafts and handles included as standard

Suitable for switches	Included shaft	Included handle	Included terminal bolts
OT1000...1250_P	OX P12X280	OHB274J12	M12x50
OT1600_P	OX P12X280	OHB274J12	M12x60
OT2000...2500_P	OX P12X280	OHB274J12	M12x60
OETL3150	OX P12X325	YASDA7	M12x60

¹⁾ Extra thick (20 µm) silver coating on the contacts.

²⁾ With extended phase distances:
- OETL 2500K185/3150K185:185 mm

³⁾ Handle and shaft have to be ordered separately

⁴⁾ The busbar connections for different busbar arrangements have to be ordered separately.
⁵⁾ I_{th} for N-pole =1250A

Switch-disconnectors, base mounting

Ordering information

Front operated switch-disconnectors with direct mounted handle

Including a black Test-OFF-ON plastic handle and shaft as standard. The handle is padlockable in the OFF-position.

Number of poles	I _{th} (open) [A]	Rated operat. currents AC22A/AC23A 400V [A/A]	Type	Order number	Units/ type [pcs]	Weight/ unit [kg]
3	200	200/160	OT160EV03K	1SCA120513R1001	1	1.5
4	200	200/160	OT160EV04K	1SCA120520R1001	1	1.9
3	200	200/200	OT200E03K	1SCA022763R4820	1	1.5
4	200	200/200	OT200E04K	1SCA022763R4910	1	1.9
3	250	250/250	OT250E03K	1SCA022763R5040	1	1.5
4	250	250/250	OT250E04K	1SCA022763R5210	1	1.9
3	315	315/315	OT315E03K	1SCA022763R5630	1	2.9
4	315	315/315	OT315E04K	1SCA022763R5710	1	3.5
3	400	400/400	OT400E03K	1SCA022763R5390	1	2.9
4	400	400/400	OT400E04K	1SCA022763R5550	1	3.5
3	630	630/630	OT630E03K	1SCA022779R4940	1	6.3
4	630	630/630	OT630E04K	1SCA022779R5080	1	7.5
3	800	800/800	OT800E03K	1SCA022779R5160	1	6.3
4	800	800/800	OT800E04K	1SCA022779R5240	1	7.5
3	1000	1000/1000	OT1000E03K	1SCA108353R1001	1	17.5
4	1000	1000/1000	OT1000E04K	1SCA108355R1001	1	21.5
3	1250	1250/1250	OT1250E03K	1SCA108356R1001	1	17.5
4	1250	1250/1250	OT1250E04K	1SCA108357R1001	1	21.5
3	1600	1600/1250	OT1600E03K	1SCA108352R1001	1	18.5
4	1600	1600/1250	OT1600E04K	1SCA108358R1001	1	21.5
3	2000	2000/-	OT2000E03K	1SCA108359R1001	1	42.3
4	2000	2000/-	OT2000E04K	1SCA108362R1001	1	47.8
3	2500	2500/-	OT2500E03K	1SCA108361R1001	1	42.3
4	2500	2500/-	OT2500E04K	1SCA108363R1001	1	48.8

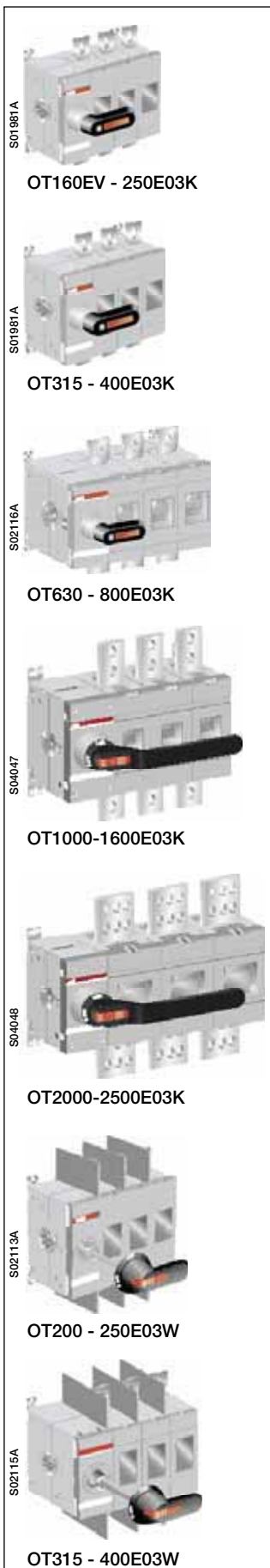
Front operated switch-disconnectors with wide phase distance

The phase barriers are mounted as standard. Including a black ON-OFF plastic handle and shaft as standard. The handle is IP65 protected, padlockable in the OFF-position and with door interlock in the ON-position. The shaft is adjustable for a range of installation depths.

3	200	200/160	OT160EV03WP	1SCA120517R1001	1	1.8
4	200	200/160	OT160EV04WP	1SCA120523R1001	1	2.2
3	200	200/160	OT160EV12WP	1SCA120606R1001	1	1.8
4	200	200/160	OT160EV22WP	1SCA120539R1001	1	2.2
3	200	200/200	OT200E03WP	1SCA022744R2670	1	1.8
4	200	200/200	OT200E04WP	1SCA022744R3130	1	2.2
3	200	200/200	OT200E12WP	1SCA022744R2910	1	1.8
4	200	200/200	OT200E22WP	1SCA022744R3300	1	2.2
3	250	250/250	OT250E03WP	1SCA022744R3560	1	1.8
4	250	250/250	OT250E04WP	1SCA022744R3810	1	2.2
3	250	250/250	OT250E12WP	1SCA022745R0000	1	1.8
4	250	250/250	OT250E22WP	1SCA022745R0180	1	2.2
3	315	315/315	OT315E03WP	1SCA022809R8650	1	3.4
4	315	315/315	OT315E04WP	1SCA022809R8900	1	4.0
3	315	315/315	OT315E12WP	1SCA022809R9380	1	3.4
4	315	315/315	OT315E22WP	1SCA022810R0900	1	4.0
3	400	400/400	OT400E03WP	1SCA022809R8310	1	3.4
4	400	400/400	OT400E04WP	1SCA022809R8810	1	4.0
3	400	400/400	OT400E12WP	1SCA022809R9200	1	3.4
4	400	400/400	OT400E22WP	1SCA022810R0570	1	4.0

Shafts and handles included as standard

Suitable for switches	Included shaft	Included handle	Included terminal bolts
OT160EV...250_K		OTV250EK	M8x25
OT315...400_K		OTV400EK	M10x30
OT630...800_K		OTV800EK	M12x40
OT1000...1250_K		OTV1000EK	M12x50
OT1600_K		OTV1000EK	M12x60
OT2000...2500_K		OTV1000EK	M12x60
OT160EV...250_P	OXF6X210	OHB65J6	M8x25
OT315...400_P	OXF12X185	OHB95J12	M10x30



Switch-disconnectors

Ordering information

Front operated switch-disconnectors with wide phase distance

The phase barriers are mounted as standard. Including a black ON-OFF plastic handle and shaft as standard. The handle is IP65 protected, padlockable in the OFF-position and with door interlock in the ON-position. The shaft is adjustable for a range of installation depths.

Number of poles	I_{th} (open) [A]	Rated operat. currents AC22A/AC23A 400V [A/A]	Type	Order number	Units/ type [pcs]	Weight/ unit [kg]
3	1000	1000/1000	OT1000E03W4P	1SCA022871R7310	1	19.8
4	1000	1000/1000	OT1000E04W4P	1SCA100762R1001	1	24
3	1000	1000/1000	OT1000E03W8P	1SCA022871R8110	1	22
3	1250	1250/1250	OT1250E03W4P	1SCA022866R1920	1	19.8
4	1250	1250/1250	OT1250E04W4P	1SCA022866R2220	1	24
3	1250	1250/1250	OT1250E03W8P	1SCA022871R8540	1	22
3	1600	1600/1250	OT1600E03W4P	1SCA022865R9860	1	22
4	1600	1600/1250	OT1600E04W4P	1SCA022866R1090	1	26
3	1600	1600/1250	OT1600E03W8P	1SCA022871R8970	1	24
3	2000	2000/-	OT2000E03W4P	1SCA108042R1001	1	42
4	2000	2000/-	OT2000E13W4P	1SCA109284R1001	1	48
3	2000	2000/-	OT2000E03W8P	1SCA108049R1001	1	42
4	2000	2000/-	OT2000E13W8P	1SCA109283R1001	1	48
3	2500	2500/-	OT2500E03W4P	1SCA108047R1001	1	49
4	2500	2500/-	OT2500E13W4P	1SCA109285R1001	1	49
3	2500	2500/-	OT2500E03W8P	1SCA108049R1001	1	49
4	2500	2500/-	OT2500E13W8P	1SCA109286R1001	1	49

Front operated switch-disconnectors, door mounting

Types OT 16...160 include protected terminal clamps, IP 20. The type and ordering numbers are for one piece.

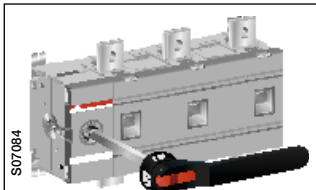
Number of poles	I_{th} (open) [A]	Cable cross section [mm ²]	Rated operat. currents AC22A/AC23A 400V [A/A]	Type	Order number	Delivery batch [pcs]	Weight/ unit [kg]
3	25	0.75...10	16/16	OT16FT3	1SCA104838R1001	10	0.13
4	25	0.75...10	16/16	OT16FT4N2	1SCA105711R1001	10	0.16
3	32	0.75...10	25/20	OT25FT3	1SCA104884R1001	10	0.13
4	32	0.75...10	25/20	OT25FT4N2	1SCA104900R1001	10	0.16
3	40	0.75...10	40/23	OT40FT3	1SCA104940R1001	10	0.13
4	40	0.75...10	40/23	OT40FT4N2	1SCA104956R1001	10	0.16
3	63	1.5...35	63/45	OT63FT3	1SCA105382R1001	10	0.28
4	63	1.5...35	63/45	OT63FT4N2	1SCA105393R1001	10	0.35
3	80	1.5...35	80/75	OT80FT3	1SCA105431R1001	10	0.28
4	80	1.5...35	80/75	OT80FT4N2	1SCA105499R1001	10	0.35
3	115	10...70	100/80	OT100FT3	1SCA105023R1001	10	0.40
4	115	10...70	100/80	OT100FT4N2	1SCA105031R1001	10	0.54
3	125	10...70	125/90	OT125FT3	1SCA105060R1001	10	0.40
4	125	10...70	125/90	OT125FT4N2	1SCA105066R1001	10	0.54
3	200	10...70	200 ¹⁾ /135	OT160ET3	1SCA022350R1960	1	1.0
4	200	10...70	200 ¹⁾ /135	OT160ET4	1SCA022460R6920	1	1.3

Shafts and handles included as standard

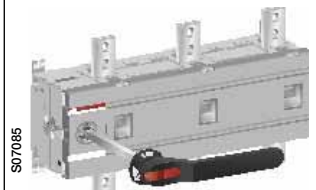
Suitable for switches	Included shaft	Included handle	Included terminal bolts
OT1000...1250_P	OXP12X280	OHB274J12	M12X50
OT1600_P	OXP12X280	OHB274J12	M12X60
OT2000...2500_P	OXP12X280	OHB274J12	M12X60
OT160ET	OXP6X130	OHB65J6	

W4 = Phase distance 140 mm
W8 = Phase distance 185 mm

¹⁾ 200A/min. 95 mm², use busbar connections
OEZXX6/13 or OZXT2



OT1000-1600E03W4P



OT1000-1600E03W8P



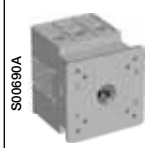
OT 2000-2500E03W4P



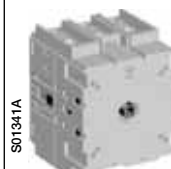
OT 2000-2500E03W8P



OT 16 - 40FT3



OT 63 - 80FT3



OT 100 - 125FT3



OT 160ET3

UL/CSA Non-fusible disconnect switches

Ordering information

Front operated, non-fusible disconnect switches

The type and ordering numbers are for one piece.

Number of poles	Ampere rating [A]	Horsepower rating 3-phase [HP]			Type	Order number	Delivery batch [pcs]	Weight/ unit [kg]
		240V	480V	600V				
3	20	5	10	15	OT16F3	1SCA104811R1001	10	0.11
4	20	5	10	15	OT16F4N2	1SCA104829R1001	10	0.14
3	20	5	10	15	OT16FT3	1SCA104838R1001	10	0.13
4	20	5	10	15	OT16FT4N2	1SCA105711R1001	10	0.16
3	30	7.5	15	20	OT25F3	1SCA104857R1001	10	0.11
4	30	7.5	15	20	OT25F4N2	1SCA104886R1001	10	0.14
3	30	7.5	15	20	OT25FT3	1SCA104884R1001	10	0.13
4	30	7.5	15	20	OT25FT4N2	1SCA104900R1001	10	0.16
3	40	10	20	25	OT40F3	1SCA104902R1001	10	0.11
4	40	10	20	25	OT40F4N2	1SCA104932R1001	10	0.14
3	40	10	20	25	OT40FT3	1SCA104940R1001	10	0.13
4	40	10	20	25	OT40FT4N2	1SCA104956R1001	10	0.16
3	60	15	30	30	OT63F3	1SCA105332R1001	10	0.27
4	60	15	30	30	OT63F4N2	1SCA105365R1001	10	0.30
3	60	15	30	30	OT63FT3	1SCA105382R1001	10	0.28
4	60	15	30	30	OT63FT4N2	1SCA105393R1001	10	0.35
3	80	20	40	40	OT80F3	1SCA105798R1001	10	0.27
4	80	20	40	40	OT80F4N2	1SCA105413R1001	10	0.30
3	80	20	40	40	OT80FT3	1SCA105431R1001	10	0.28
4	80	20	40	40	OT80FT4N2	1SCA105499R1001	10	0.35
3	30	10	20	30	OT30F3	1SCA105068R1001	10	0.36
4	30	10	20	30	OT30F4N2	1SCA108347R1001	10	0.50
3	60	20	40	40	OT60F3	1SCA105076R1001	10	0.36
4	60	20	40	40	OT60F4N2	1SCA108348R1001	10	0.50
3	100	30	50	50	OT100F3	1SCA105004R1001	10	0.36
4	100	30	50	50	OT100F4N2	1SCA105018R1001	10	0.50

Including handle: NEMA 1, 3R, 12, IP65 and shaft

3	100	40	75	100	OT160E3	1SCA022257R5950	1	1.0
4	100	40	75	100	OT160E4	1SCA022259R8060	1	1.3
3	200	75	150	200	OT200U03P	1SCA022709R9920	1	1.8
4	200	75	150	200	OT200U04P	1SCA022710R0610	1	2.2
3	200	75	150	200	OT200U12P	1SCA022752R2010	1	1.8
4	200	75	150	200	OT200U22P	1SCA022741R8880	1	2.2
3	400	125	250	350	OT400U03P	1SCA022718R9670	1	3.4
4	400	125	250	350	OT400U04P	1SCA022719R1900	1	4.0
3	400	125	250	350	OT400U12P	1SCA022754R6960	1	3.4
4	400	125	250	350	OT400U22P	1SCA022762R7290	1	4.0
3	600	200	450	500	OT600U03P	1SCA022718R9830	1	6.5
4	600	200	450	500	OT600U04P	1SCA022719R2200	1	7.7
3	600	200	450	500	OT600U12P	1SCA022753R7710	1	6.4
4	600	200	450	500	OT600U22P	1SCA022753R7890	1	7.7
3	800	250	500	500	OT800U03P	1SCA105665R1001	1	19
4	800	250	500	500	OT800U04P	1SCA105667R1001	1	22
3	800	250	500	500	OT800U12P	1SCA106128R1001	1	19
4	800	250	500	500	OT800U22P	1SCA106125R1001	1	22
3	1200	-	-	-	OT1200U03P	1SCA022860R6910	1	19
4	1200	-	-	-	OT1200U04P	1SCA022860R7120	1	22
3	1200	-	-	-	OT1200U12P	1SCA022871R9270	1	19
4	1200	-	-	-	OT1200U22P	1SCA105654R1001	1	22

Including handle, NEMA 1, 3R, 4, 4x, 12, IP65, shaft and busbar connections

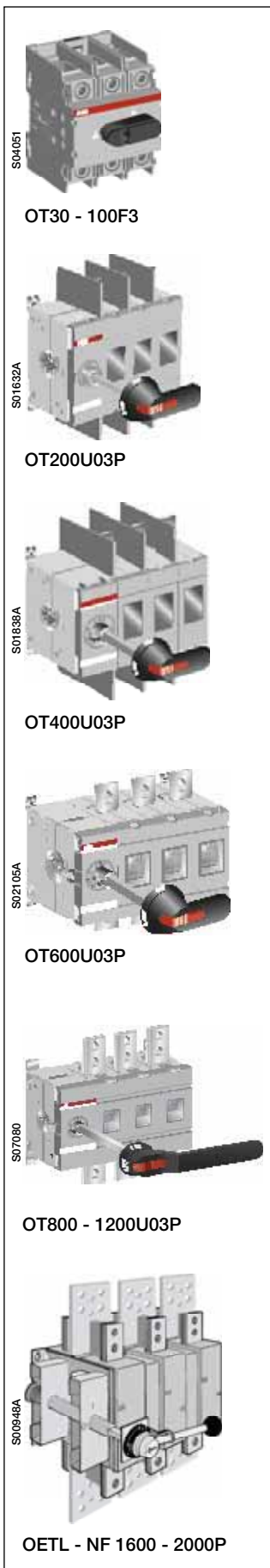
3	1600	-	-	-	OETL-NF1600P	1SCA022282R0690	1	65
3	2000 ¹⁾	-	-	-	OETL-NF2000P	1SCA022282R0850	1	65

Shafts and handles included as standard

Suitable for switches	Included shaft	Included handle	Included terminal bolts
OT160E	OXF6X210	OHB65J6	
OT200U_P	OXF6X210	OHB65J6	M8x25
OT400U_P	OXF12X185	OHB95J12	M10x30
OT600U_P	OXF12X185	OHB125J12	M12x40
OT800...1200U_P	OXF12X280	OHB274J12	M12x60
OETL-NF1600...2000	OXF12X325	YASDA8	M12x60

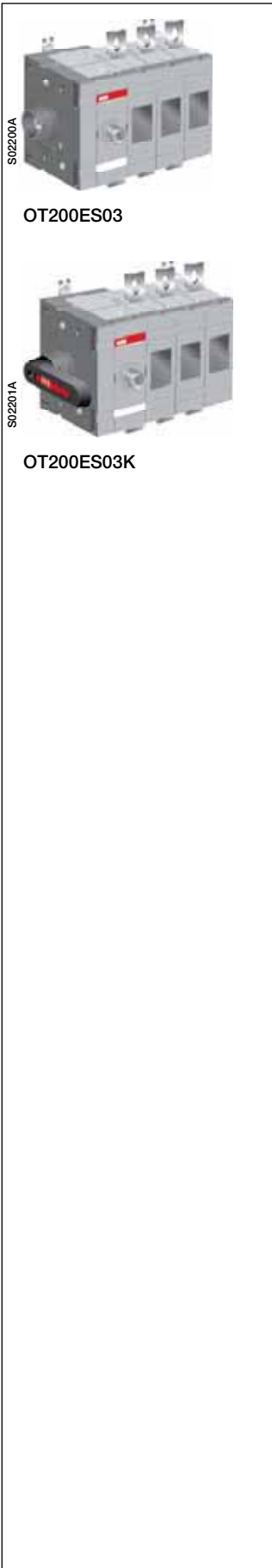
- Approvals:
- OT16...80: UL 508, CSA 22-2 # 14
- OT30...1200: UL 98, CSA 22-2 # 4
- OETL-NF: UL98, CSA 22-2 # 4
- IEC 60947-3

¹⁾ 480 VAC max.



Switch-disconnectors

Ordering information



Side operated switch-disconnectors without handle

Including terminal bolt kit, the handle and shaft have to be ordered separately.

Number of poles	I_{th} (open) [A]	Rated oper. currents AC22A/AC23A 400V [A/A]	Type	Order number	Units/ type [pcs]	Weight/ unit [kg]
3	200	200/160	OT160EVS03	1SCA120563R1001	1	1.8
4	200	200/160	OT160EVS04	1SCA120564R1001	1	2.2
3	200	200/200	OT200ES03	1SCA022860R0200	1	1.8
4	200	200/200	OT200ES04	1SCA022860R0540	1	2.2
3	250	250/250	OT250ES03	1SCA022860R0890	1	1.8
4	250	250/250	OT250ES04	1SCA022860R1010	1	2.2
3	315	315/315	OT315ES03	1SCA022860R1270	1	3.4
4	315	315/315	OT315ES04	1SCA022860R1510	1	4.0
3	400	400/400	OT400ES03	1SCA022860R1780	1	3.4
4	400	400/400	OT400ES04	1SCA022860R1940	1	4.0
3	630	630/630	OT630ES03	1SCA022860R2240	1	7.0
4	630	630/630	OT630ES04	1SCA022860R2410	1	8.2
3	800	800/800	OT800ES03	1SCA022860R2670	1	7.0
4	800	800/800	OT800ES04	1SCA022860R2830	1	8.2

Side operated switch-disconnectors with direct mounted handle

Including terminal bolt kit, a black Test-ON-OFF plastic handle and shaft as standard. The handle is padlockable in the OFF-position.

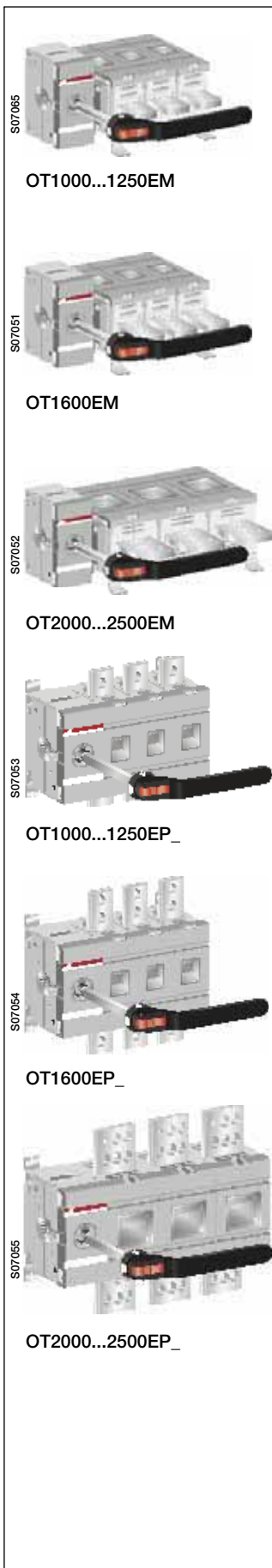
3	200	200/160	OT160EVS03K	1SCA120570R1001	1	1.9
4	200	200/160	OT160EVS04K	1SCA120565R1001	1	2.3
3	200	200/200	OT200ES03K	1SCA022860R0620	1	1.9
4	200	200/200	OT200ES04K	1SCA022860R0710	1	2.3
3	250	250/250	OT250ES03K	1SCA022860R0970	1	1.9
4	250	250/250	OT250ES04K	1SCA022860R1190	1	2.3
3	315	315/315	OT315ES03K	1SCA022860R1350	1	3.5
4	315	315/315	OT315ES04K	1SCA022860R1600	1	4.1
3	400	400/400	OT400ES03K	1SCA022860R1860	1	3.5
4	400	400/400	OT400ES04K	1SCA022860R2080	1	4.1
3	630	630/630	OT630ES03K	1SCA022860R2320	1	7.0
4	630	630/630	OT630ES04K	1SCA022860R2590	1	8.4
3	800	800/800	OT800ES03K	1SCA022860R2750	1	7.2
4	800	800/800	OT800ES04K	1SCA022860R2910	1	8.4

Shafts and handles included as standard

Suitable for switches	Included shaft	Included handle	Included terminal bolts
OT160EV...250			M8x25
OT315...400			M10x30
OT630...800			M12x40

Switch-disconnectors, earthing switches

Ordering information



Earthing switches, bottom mounted

The mechanism is turned 90 degree - space saving

Including terminal bolt kit, a black OFF - \perp plastic handle and shaft as standard. The handle is padlockable in OFF and \perp -position.

Number of poles	$I_{cw}/1\text{ s}$ [kA]	$I_{cw}/0,25\text{ s}$ [kA]	$I_{cm\text{ peak}}$ [kA]	Type	Order number	Unit/type [pcs]	Weight /unit [kg]
$I_{cw}/1\text{ s} = 50\text{ kA}, I_{cm} = 110\text{ kA (peak)}$							
3	50	50	110	OT1000EM03P	1SCA118937R1001	1	17.5
4	50	50	92	OT1000EM04P	1SCA118950R1001	1	20.0
3	50	50	110	OT1250EM03P	1SCA115708R1001	1	17.5
4	50	50	92	OT1250EM04P	1SCA118949R1001	1	20.0
3	50	50	110	OT1600EM03P	1SCA115815R1001	1	19.5
4	50	50	92	OT1600EM04P	1SCA118948R1001	1	22.5
$I_{cw}/1\text{ s} = 55\text{ kA}, I_{cw}/0,25\text{ s} = 80\text{ kA}, I_{cm} = 176\text{ kA (peak)}$							
3	55	80	176	OT2000EM03P	1SCA118939R1001	1	42.5
4	55	80	176	OT2000EM04P	1SCA118947R1001	1	49.5
3	55	80	176	OT2500EM03P	1SCA115835R1001	1	42.5
4	55	80	176	OT2500EM04P	1SCA118946R1001	1	49.5

Earthing switches with wide phase distances, bottom mounted

The mechanism is turned 90 degree - space saving

Including terminal bolt kit, a black OFF - \perp plastic handle and shaft as standard. The handle is padlockable in OFF and \perp -position. W4=140mm, W8=185mm.

Number of poles	$I_{cw}/1\text{ s}$ [kA]	$I_{cw}/0,25\text{ s}$ [kA]	$I_{cm\text{ peak}}$ [kA]	Type	Order number	Unit/type [pcs]	Weight /unit [kg]
$I_{cw}/1\text{ s} = 50\text{ kA}, I_{cm} = 110\text{ kA (peak)}$							
3	50	50	110	OT1250EM03W4P	1SCA115805R1001	1	20.5
3	50	50	110	OT1250EM03W8P	1SCA115810R1001	1	22.5
4	50	50	92	OT1250EM04W4P	1SCA118940R1001	1	24.5
4	50	50	92	OT1250EM04W8P	1SCA118941R1001	1	26.5
3	50	50	110	OT1600EM03W4P	1SCA115822R1001	1	20.5
3	50	50	110	OT1600EM03W8P	1SCA115827R1001	1	22.5
4	50	50	92	OT1600EM04W4P	1SCA118942R1001	1	24.5
4	50	50	92	OT1600EM04W8P	1SCA118944R1001	1	26.5
$I_{cw}/1\text{ s} = 55\text{ kA}, I_{cw}/0,25\text{ s} = 80\text{ kA}, I_{cm} = 176\text{ kA (peak)}$							
3	55	80	176	OT2500EM03W4P	1SCA115840R1001	1	45.0
3	55	80	176	OT2500EM03W8P	1SCA115843R1001	1	47.0
4	55	80	176	OT2500EM04W4P	1SCA118943R1001	1	52.0
4	55	80	176	OT2500EM04W8P	1SCA118945R1001	1	54.0

Earthing switches, base mounted

Including terminal bolt kit, a black OFF - \perp plastic handle and shaft as standard. The handle is padlockable in OFF and \perp -position

Number of poles	$I_{cw}/1\text{ s}$ [kA]	$I_{cw}/0,25\text{ s}$ [kA]	$I_{cm\text{ peak}}$ [kA]	Type	Order number	Unit/type [pcs]	Weight /unit [kg]
$I_{cw}/1\text{ s} = 50\text{ kA}, I_{cm} = 110\text{ kA (peak)}$							
3	50	50	110	OT1000EP03P	1SCA118451R1001	1	17.0
4	50	50	92	OT1000EP04P	1SCA118452R1001	1	19.5
3	50	50	110	OT1250EP03P	1SCA118453R1001	1	17.0
4	50	50	92	OT1250EP04P	1SCA118454R1001	1	19.5
3	50	50	110	OT1600EP03P	1SCA118455R1001	1	19.0
4	50	50	92	OT1600EP04P	1SCA118456R1001	1	22.0
$I_{cw}/1\text{ s} = 55\text{ kA}, I_{cw}/0,25\text{ s} = 80\text{ kA}, I_{cm} = 176\text{ kA (peak)}$							
3	55	80	176	OT2000EP03P	1SCA118457R1001	1	42.0
4	55	80	176	OT2000EP04P	1SCA118458R1001	1	49.0
3	55	80	176	OT2500EP03P	1SCA118459R1001	1	42.0
4	55	80	176	OT2500EP04P	1SCA118460R1001	1	49.0

Motorized switch-disconnectors

Ordering information

Motorized switch-disconnectors OTM

Including a handle for manual operation, bolt kit with nut and washers for all terminals, male connectors for control circuit and a handle and spare fuse storage clip.

Type codes for motor voltage $U_e = 220-240 \text{ VAC}$

Rated current AC-22A/AC-23A $\leq 690 \text{ V [A]}$	Number of poles	Type	Order number	Units/ type [pcs]	Weight [kg]
--	-----------------------	------	--------------	-------------------------	----------------

IEC type motorized switch-disconnectors with standard phase distance

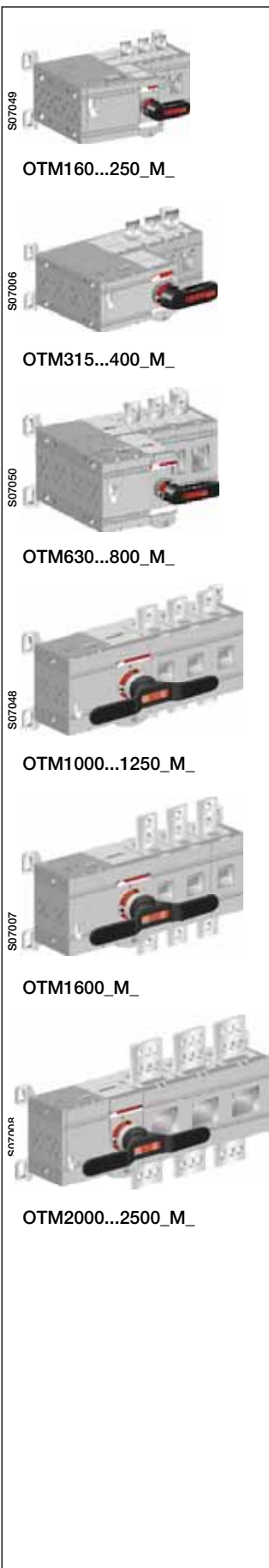
160/160	3	OTM160E3M230C	1SCA115283R1001	1	4.6
160/160	4	OTM160E4M230C	1SCA115293R1001	1	5.0
200/200	3	OTM200E3M230C	1SCA115284R1001	1	4.6
200/200	4	OTM200E4M230C	1SCA115292R1001	1	5.0
250/250	3	OTM250E3M230C	1SCA115285R1001	1	4.6
250/250	4	OTM250E4M230C	1SCA115290R1001	1	5.0
315/315	3	OTM315E3M230C	1SCA115334R1001	1	8.4
315/315	4	OTM315E4M230C	1SCA115335R1001	1	9.0
400/400	3	OTM400E3M230C	1SCA115333R1001	1	8.4
400/400	4	OTM400E4M230C	1SCA115336R1001	1	9.0
630/630	3	OTM630E3M230C	1SCA115354R1001	1	17.4
630/630	4	OTM630E4M230C	1SCA115357R1001	1	18.9
800/800	3	OTM800E3M230C	1SCA115355R1001	1	17.4
800/800	4	OTM800E4M230C	1SCA115356R1001	1	18.9
1000/1000	3	OTM1000E3M230C	1SCA115364R1001	1	37
1000/1000	4	OTM1000E4M230C	1SCA115368R1001	1	42
1250/1250	3	OTM1250E3M230C	1SCA115365R1001	1	37
1250/1250	4	OTM1250E4M230C	1SCA115367R1001	1	42
1600/1250	3	OTM1600E3M230C	1SCA115366R1001	1	39
1600/1250	4	OTM1600E4M230C	1SCA115369R1001	1	44
2000/- ¹⁾	3	OTM2000E3M230C	1SCA115372R1001	1	47
2000/- ¹⁾	4	OTM2000E4M230C	1SCA115374R1001	1	55
2500/- ¹⁾	3	OTM2500E3M230C	1SCA115373R1001	1	47
2500/- ¹⁾	4	OTM2500E4M230C	1SCA115375R1001	1	55

IEC type motorized switch-disconnectors with wide phase distance

160/160	3	OTM160E3WM230C	1SCA115286R1001	1	4.7
160/160	4	OTM160E4WM230C	1SCA115295R1001	1	5.1
200/200	3	OTM200E3WM230C	1SCA115288R1001	1	4.7
200/200	4	OTM200E4WM230C	1SCA115296R1001	1	5.1
250/250	3	OTM250E3WM230C	1SCA115289R1001	1	4.7
250/250	4	OTM250E4WM230C	1SCA115297R1001	1	5.1

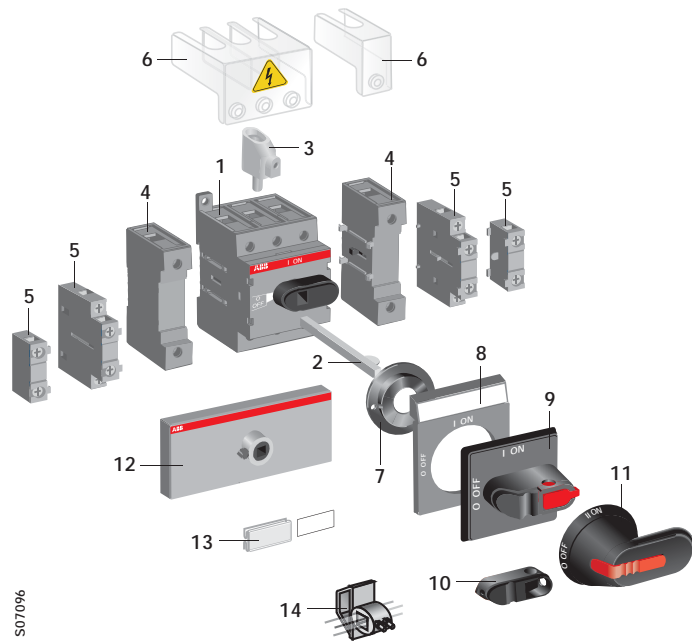
Handle and bolt kits included as standard

Suitable for switch disconnectors	Handle+shaft kit	Bolt kit
OTM160...250	OTV250EMK	M8x25
OTM315...400	OTV400EMK	M10x30
OTM630...800	OTV800EMK	M12x40
OTM1000...1250	OTV1000EMK	M12x50
OTM1600	OTV1000EMK	M12x60
OTM2000...2500	OTV1000EMK	M12x60



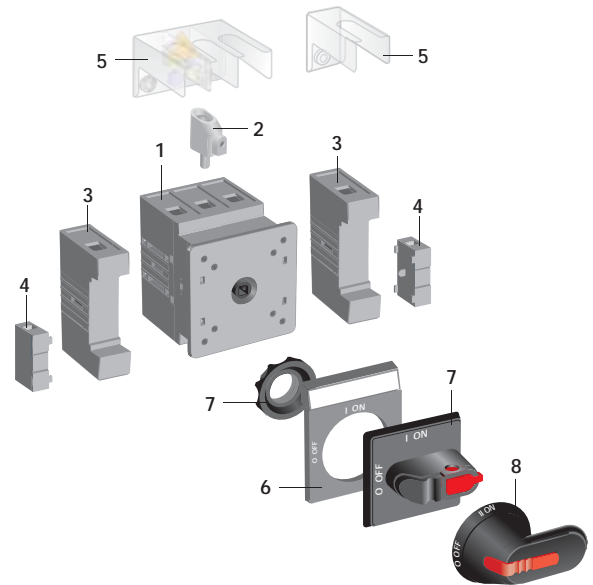
Accessories Selection overview

OT16F...OT125F



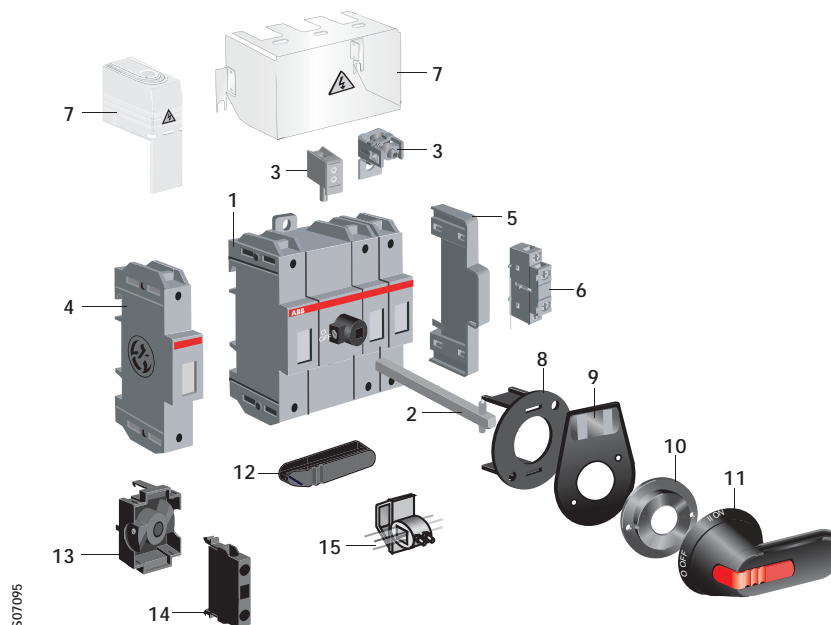
1 Switch-disconnector | 2 Extended shaft | 3 Terminal clamp | 4 Fourth pole, N- and PE-terminals | 5 Auxiliary contact | 6 Terminal shroud | 7 Shaft alignment ring | 8 Legend plate | 9 Selector type handle | 10 Handle knob | 11 Pistol type handle | 12 Conversion kit | 13 Labelling accessories | 14 Cam attachment for interlocking

OT16FT...OT125FT



1 Switch-disconnector | 2 Terminal clamp | 3 Fourth pole, N- and PE-terminals | 4 Auxiliary contact | 5 Terminal shroud | 6 Legend plate | 7 Selector type handle | 8 Pistol type handle

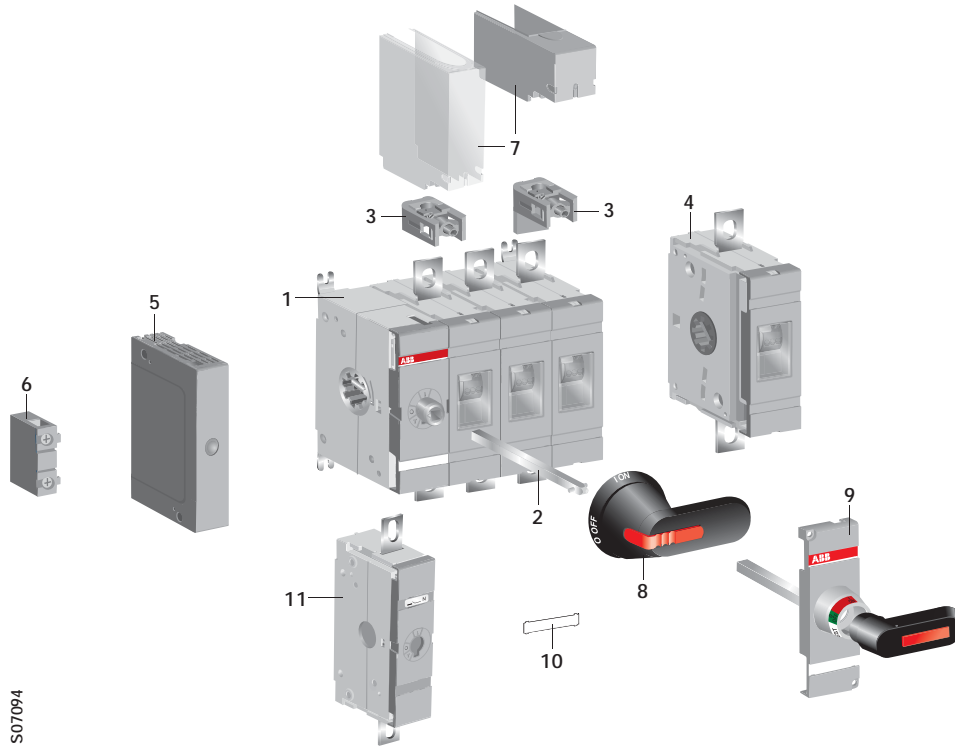
OT160E



1 Switch-disconnector | 2 Extended shaft | 3 Terminal clamp | 4 Fourth pole, N- and PE-terminals | 5 Adapter for auxiliary contact blocks | 6 Auxiliary contact | 7 Terminal shroud | 8 Handle support | 9 Legend plate | 10 Shaft alignment ring | 11 Pistol type handle | 12 Handle knob | 13 Adapter for auxiliary contact blocks | 14 Auxiliary contact | 15 Cam attachment for interlocking

Accessories Selection overview

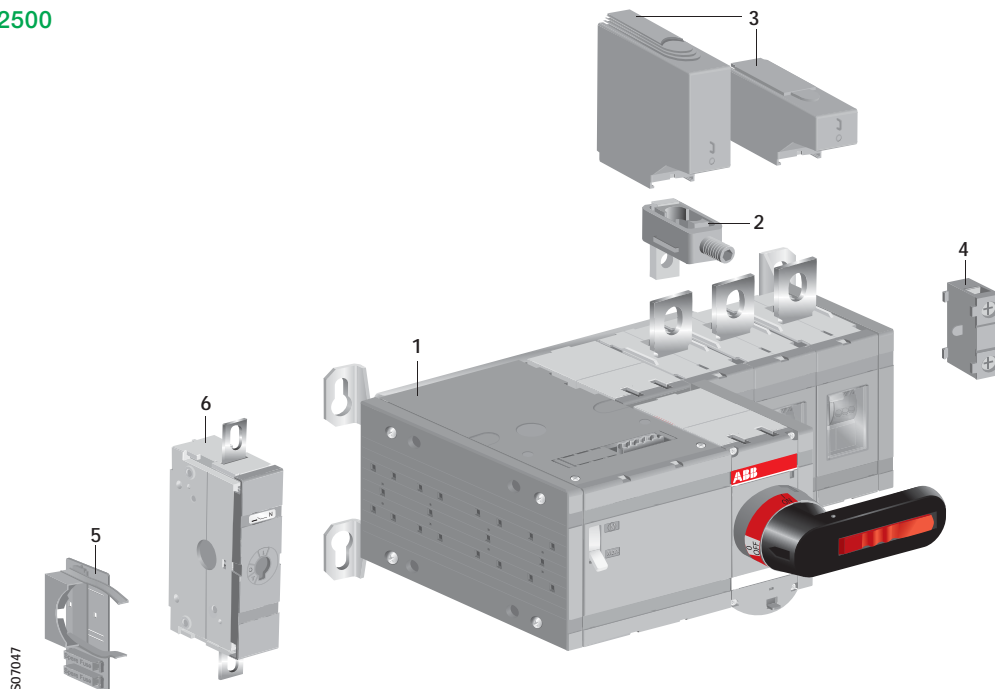
OT160EV...OT2500



S07094

1 Switch-disconnector | 2 Extended shaft | 3 Terminal clamp | 4 Fourth pole | 5 Module for auxiliary contact | 6 Auxiliary contact | 7 Terminal shroud | 8 Pistol type handle | 9 Direct mounting type handle | 10 Labelling accessories | 11 Detachable neutral link

OTM160...OTM2500

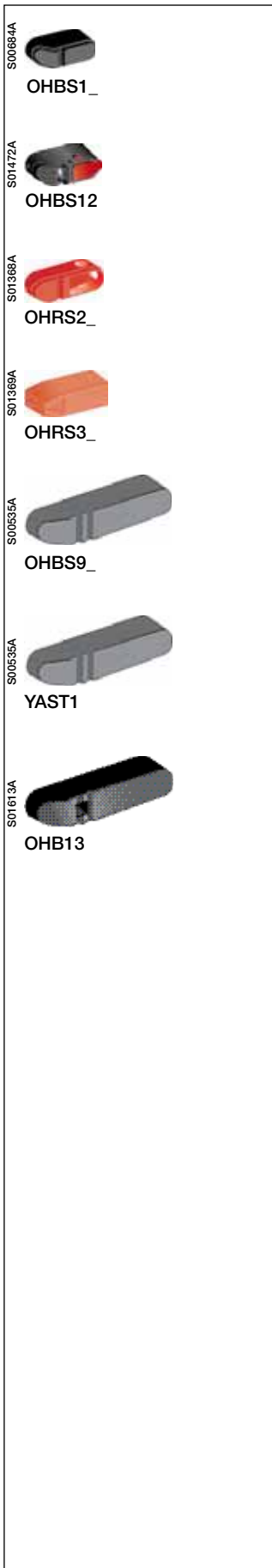


S07047

1 Motorized switch-disconnector | 2 Terminal clamp | 3 Terminal shroud | 4 Auxiliary contact | 5 Storage for handle and fuses | 6 Detachable neutral link

Optional handles

Ordering information



Optional handles, base and DIN-rail mounted switches

Handle knobs

Mounting directly to the switch, no shaft needed.
Padlockable with one padlock with bail diameter 5 mm, see the table below

Colour	Handle length [mm]	Suitable for switches	Type	Order number	Units/ type [pcs]
Black	31	OT16...80F3/F4	OHBS1	1SCA109087R1001	10
Black	31	OT16...80F3/F4	OHBS1/1	1SCA109088R1001	1
Red	31	OT16...80F3/F4	OHRS1	1SCA109095R1001	10
Red	31	OT16...80F3/F4	OHRS1/1	1SCA109096R1001	1
Black	37	OT16...40F3/F4	OHBS12	1SCA108252R1001	10
Red	37	OT16...40F3/F4	OHRS12	1SCA108253R1001	10
Black	40	OT63...125F3/F4 OT16...40F6/F8	OHBS2	1SCA109089R1001	10
Black	40	OT63...125F3/F4 OT16...40F6/F8	OHBS2/1	1SCA109090R1001	1
Red	40	OT63...125F3/F4 OT16...40F6/F8	OHRS2	1SCA108598R1001	10
Red	40	OT63...125F3/F4 OT16...40F6/F8	OHRS2/1	1SCA108599R1001	1
Black	39	OT16...125F3/F4 OT16...40F6/F8	OHBS3	1SCA108320R1001	10
Black	39	OT16...125F3/F4 OT16...40F6/F8	OHBS3/1	1SCA108319R1001	1
Red	39	OT16...125F3/F4 OT16...40F6/F8	OHRS3	1SCA108667R1001	10
Red	39	OT16...125F3/F4 OT16...40F6/F8	OHRS3/1	1SCA108688R1001	1
Black	72	OT63...125F6/F8	OHBS9	1SCA108665R1001	10
Black	72	OT63...125F6/F8	OHBS9/1	1SCA108689R1001	1
Red	72	OT63...125F6/F8	OHRS9	1SCA108666R1001	10
Red	72	OT63...125F6/F8	OHRS9/1	1SCA108690R1001	1
Black	72	OT160E	YAST1	1SCA022301R5350	10

Mounting directly to the switch, a 6 mm shaft can be inserted through the handle

Black	72	OT160E	OHB13	1SCA022712R4620	10
-------	----	--------	-------	-----------------	----

Switch type	Handle type	
	Non-padlockable	Padlockable
OT16...40F3/F4	OHBS1_ , OHRS1_	OHBS12_ , OHRS12_
	OHBS3_ , OHRS3_	
OT16...40F6/F8 + OWP6D40	OHBS3_ , OHRS3_	OHBS2_ , OHRS2_
OT63...125F3/F4	OHBS3_ , OHRS3_	OHBS2_ , OHRS2_
OT63...80F6/F8+ OWP6D80	OHBS9_ , OHRS9_	
OT100...125F6/F8 + OWP6D125	OHBS9_ , OHRS9_	
OT160E	YAST1	
OT160E	OHB13	

Handle type	Shaft through the handle	45 mm cut-out enable*
OHBS1_ , OHRS1_	No	Yes
OHBS2_ , OHRS2_	No	Yes
OHBS3_ , OHRS3_	No	Yes
OHBS9_ , OHRS9_	No	No
OHBS12_ , OHRS12_	Yes	Yes
YAST1	No	No
OHB13	Yes	No

*) in I-position the handle shall remain within the cut-out height

Optional handles

Ordering information

Optional handles, base and DIN-rail mounted switches

for shaft diameter 6 mm, door drilling 22.5 mm. The type and the ordering numbers are for one piece.

Selector type handles

Indication I-O and ON-OFF

Colour	Suitable for switches	Type	Order number	Delivery batch [pcs]	Weight/unit [kg]
--------	-----------------------	------	--------------	----------------------	------------------

IP 54 handles, NEMA 1

Black	OT16...80F	OHBS1AH	1SCA102680R1001	150	
Yellow-red	OT16...80F	OHYS1AH	1SCA105290R1001	150	
Silver	OT16...80F	OHSS1AH	1SCA105274R1001	150	
Grey	OT16...80F	OHGS1AH	1SCA105261R1001	150	

IP 54 handles, door interlock in ON-position, NEMA 1

Black	OT16...80F	OHBS1AH1	1SCA105210R1001	150	
Yellow-red	OT16...80F	OHYS1AH1	1SCA105291R1001	150	
Silver	OT16...80F	OHSS1AH1	1SCA105275R1001	150	
Grey	OT16...80F	OHGS1AH1	1SCA105262R1001	150	

IP 54 handles, padlockable with one padlock with bail diameter 5...6.3 mm, NEMA 1

Black	OT16...125F	OHBS3AH	1SCA105234R1001	150	
Yellow-red	OT16...125F	OHYS3AH	1SCA105325R1001	150	
Silver	OT16...125F	OHSS3AH	1SCA105283R1001	150	
Grey	OT16...125F	OHGS3AH	1SCA105270R1001	150	

IP 54 handles, padlockable with one padlock with bail diameter 5...6.3 mm, door interlock in ON-position, NEMA 1

Black	OT16...125F	OHBS3AH1	1SCA105235R1001	150	
Yellow-red	OT16...125F	OHYS3AH1	1SCA105326R1001	150	
Silver	OT16...125F	OHSS3AH1	1SCA105284R1001	150	
Grey	OT16...125F	OHGS3AH1	1SCA105271R1001	150	

IP 65 handles, padlockable with max. 3 padlocks with bail diameter 5...8 mm, door interlock in ON-position, defeatable, NEMA 1, 3R, 12

Black	OT16...125F	OHBS2AJ	1SCA105213R1001	120	
Yellow-red	OT16...125F	OHYS2AJ	1SCA105296R1001	120	
Silver	OT16...125F	OHSS2AJ	1SCA105278R1001	120	
Grey	OT16...125F	OHGS2AJ	1SCA105265R1001	120	

IP 65 handles, padlockable with max. 3 padlocks with bail diameter 5...8 mm, door interlock in ON-position, NEMA 1, 3R, 12

Black	OT16...125F	OHBS2AJ1	1SCA105215R1001	120	
Yellow-red	OT16...125F	OHYS2AJ1	1SCA105297R1001	120	
Silver	OT16...125F	OHSS2AJ1	1SCA105279R1001	120	
Grey	OT16...125F	OHGS2AJ1	1SCA105266R1001	120	

Handle with metal hasp

IP65 handles, NEMA 1, 3R, 12, padlockable with max. 3 padlocks, door interlock in the ON-position, defeatable.

Black	OT16...125F	OHBS2AJEH1	1SCA108230R1001	120	
-------	-------------	------------	-----------------	-----	--

Round padlockable handles

Padlockable in 0-position, max 3 padlocks with max 8 mm hasp diameter.

One hole mounting handle, IP65, NEMA 4X outdoor, size 66x66

Black	OT16...125F_	OZ331SPB	1SCA112983R1001	10	0.05
Red-yellow	OT16...125F_	OZ331SPRY	1SCA113097R1001	10	0.05

IP67, IP69K, NEMA 4X, size 66x66

Black	OT16...125F_	OZ331P67B	1SCA111427R1001	10	0.04
Red-yellow	OT16...125F_	OZ331P67RY	1SCA111429R1001	10	0.04

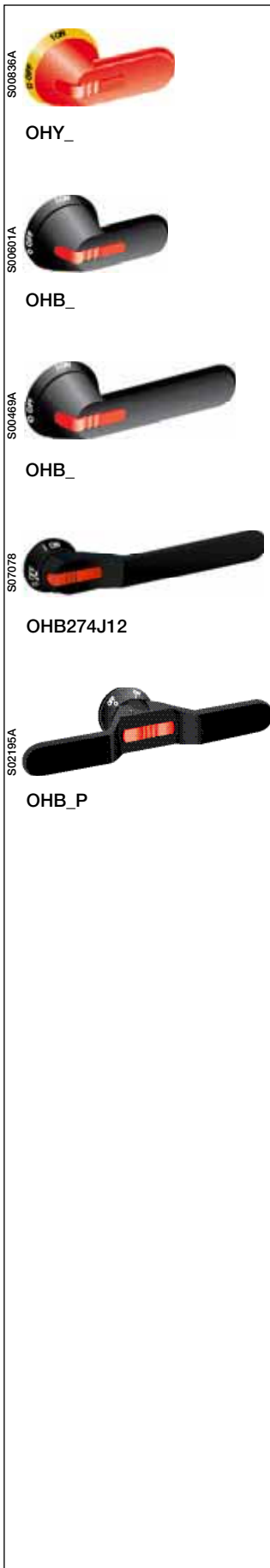
Handles with door coupling in ON-position, not defeatable, IP65, NEMA 4X, size 66x66

Shaft alignment ring for OZ371P_ handle, see page 31.

Black	OT16...125F_	OZ371PB	1SCA111684R1001	10	0.05
Red-yellow	OT16...125F_	OZ371PRY	1SCA111685R1001	10	0.05



Optional handles Ordering information



Optional handles, base and DIN-rail mounted switches

Pistol type handles

OH_ handles: IP 65, NEMA 1,3R, 12, padlockable with three padlocks in OFF-position, door interlock in ON-position. Screw fixing from the back side of the handle. No screws on the front ensures double insulation. The type and the ordering numbers are for one piece.

Colour	Handle length [mm]	Suitable for switches	Type	Order number	Delivery batch [pcs]	Weight/unit [kg]
For shaft diameter 6 mm, indication in types OHB and OHY: I-O, ON-OFF, in types OHG: I-O						
Black	45	OT16...125F	OHB45J6	1SCA022380R8770	100	0.10
Yellow-red	45	OT16...125F	OHY45J6	1SCA022380R8930	100	0.10
Grey	45	OT16...125F	OHG45J6	1SCA022380R8850	100	0.10
For shaft diameter 6 mm, indication in types OHB and OHY: I-O, ON-OFF, in types OHG: I-O.						
Black	65	OT160...250_	OHB65J6	1SCA022380R9660	100	0.12
Yellow-red	65	OT160...250_	OHY65J6	1SCA022380R9820	100	0.12
Grey	65	OT160...250_	OHG65J6	1SCA022380R9740	100	0.12
Black	80	OT160...250_	OHB80J6	1SCA022381R0240	100	0.14
Yellow-red	80	OT160...250_	OHY80J6	1SCA022381R0410	100	0.14
Grey	80	OT160...250_	OHG80J6	1SCA022381R0320	100	0.14
For shaft diameter 6 mm, indication: Test-OFF-ON/Test-0-I						
Black	65	OT200...250_	OHB65J6T	1SCA022399R8110	100	0.12
Yellow-red	65	OT200...250_	OHY65J6T	1SCA022456R9540	100	0.12
For shaft diameter 12 mm, indication OHB and OHY: I-O, ON-OFF, in types OHG: I-O						
Black	95	OT315...400_	OHB95J12	1SCA022381R0830	90	0.16
Yellow-red	95	OT315...400_	OHY95J12	1SCA022381R1050	90	0.16
Grey	95	OT315...400_	OHG95J12	1SCA022381R0910	90	0.16
Black	125	OT630...800_	OHB125J12	1SCA022381R1560	90	0.17
Yellow-red	125	OT630...800_	OHY125J12	1SCA022381R1720	90	0.17
Grey	125	OT630...800_	OHG125J12	1SCA022381R1640	90	0.17
Black	145	OT630...800_	OHB145J12	1SCA022381R2110	90	0.17
Yellow-red	145	OT630...800_	OHY145J12	1SCA022381R2370	90	0.17
Grey	145	OT630...800_	OHG145J12	1SCA022381R2290	90	0.17
Black	274	OT1000...2500	OHB274J12	1SCA115920R1001	25	0.54
Yellow-red	274	OT1000...2500	OHY274J12	1SCA115919R1001	25	0.54
Black	330	OT1000...2500	OHB330J12	1SCA115922R1001	25	0.58
Yellow-red	330	OT1000...2500	OHY330J12	1SCA115921R1001	25	0.58
Black	2x150	OT1000...2500	OHB150J12P	1SCA022865R9430	50	0.17
Yellow-red	2x150	OT1000...2500	OHY150J12P	1SCA101586R1001	50	0.17
Black	2x200	OT1000...2500	OHB200J12P	1SCA022865R9510	50	0.40
Yellow-red	2x200	OT1000...2500	OHY200J12P	1SCA101587R1001	50	0.40
Black	275	OETL3150	OHB275J12	1SCA022381R2960	90	0.20
Yellow-red	275	OETL3150	OHY275J12	1SCA022381R3180	90	0.20
Grey	275	OETL3150	OHG275J12	1SCA022381R3000	90	0.20
For shaft diameter 12 mm, indication: Test-OFF-ON/Test-0-I						
Black	95	OT315...400_	OHB95J12T	1SCA022736R1750	90	0.16
Yellow-red	95	OT315...400_	OHY95J12T	1SCA022736R1910	90	0.16
Black	125	OT630...800_	OHB125J12T	1SCA022652R2220	90	0.17
Yellow-red	125	OT630...800_	OHY125J12T	1SCA022652R2310	90	0.17
Black	145	OT630...800_	OHB145J12T	1SCA022652R2570	90	0.17
Yellow-red	145	OT630...800_	OHY145J12T	1SCA022652R2650	90	0.17
Black	175	OT630...800_	OHB175J12T	1SCA022708R0740	90	0.18
Yellow-red	175	OT630...800_	OHY175J12T	1SCA111508R1001	90	0.18
Black	274	OT1000...2500	OHB274J12T	1SCA120250R1001	25	0.54
Black	330	OT1000...2500	OHB330J12T	1SCA120252R1001	25	0.58
Black	2x200	OT1000...2500	OHB200J12PT	1SCA106510R1001	50	0.40
Yellow-red	2x200	OT1000...2500	OHY200J12PT	1SCA111512R1001	50	0.40
For shaft diameter 12 mm, indication: I-O-II						
Black	275	OETL3150	OHB275J12E011	1SCA022460R7220	90	0.19
Yellow-red	275	OETL3150	OHY275J12E011	1SCA022460R7310	90	0.19
Grey	275	OETL3150	OHG275J12E011	1SCA022460R7490	90	0.19

• Door interlocking in ON-position means that the door can not be opened, when the handle is in ON-position. This can be defeated in IP 65 types to allow authorized personnel access for inspection.

• NEMA 4, 4x pistol handles available on request.
• Handles padlockable in all positions available on request.

Optional handles

Ordering information

Optional handles, base mounted switches

Handles for direct mounting

Colour	Handle length [mm]	Suitable for switches	Type	Order number	Units/ type [pcs]	Weight/ unit [kg]
Indication Test-OFF-ON/Test-O-I. Padlockable with three padlocks in OFF-position. Includes shaft and mechanism cover.						
Black	65	OT160EV...250_K	OTV250EK	1SCA022763R2700	1	0.10
Yellow-red	65	OT160EV...250_K	OTVY250EK	1SCA022772R7910	1	0.10
Black	95	OT315...400_K	OTV400EK	1SCA022763R2960	1	0.20
Yellow-red	95	OT315...400_K	OTVY400EK	1SCA022772R7830	1	0.20
Black	125	OT630...800_K	OTV800EK	1SCA022804R6340	1	0.30
Yellow-red	125	OT630...800_K	OTVY800EK	1SCA022810R2780	1	0.30
Black	274	OT1000...2500_K	OTV1000EK	1SCA106608R1001	1	
Black	2x200	OT1000...2500_K	OTV100EPK	1SCA121085R1001	1	

Metallic handles

IP65, NEMA 1, 3R, 4, 4x, 12, padlockable with 3 padlocks in OFF- position, door interlock in ON- position.

For shaft diameter 12 mm, indication I-0

Black	220	OETL3150	YASDA7	1SCA022071R3010	1	0.68
Black	320	OT1000...2500	YASDA35	1SCA104400R1001	1	0.80

For shaft diameter 12 mm, indication ON-OFF

Black	220	OETL3150	YASDA8	1SCA022071R3270	1	0.68
-------	-----	----------	--------	-----------------	---	------

IP44, padlockable with 3 padlocks in OFF- position, door interlock in I- and II- position.

For shaft diameter 12 mm, indication I-0-II

Black	220	OETL3150	YASDA21	1SCA022098R9420	1	0.68
Black	320	OETL3150	YASDA6	1SCA022071R2890	1	0.80

Stainless steel handles

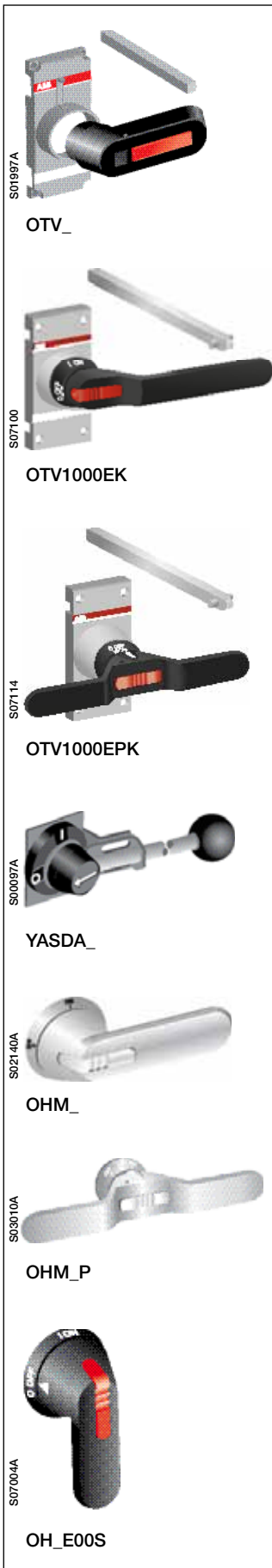
Stainless steel handles, indication I-O/ON-OFF, padlockable with 3 padlocks in the OFF-position, door interlock in the ON-position, IP66 (NEMA 4X)

Colour	Handle length [mm]	Type	Order number	Units/ type [pcs]	Weight/ unit [kg]
For shaft diameter 6 mm					
Grey	65	OHM65L6	1SCA022739R1070	1	0.73
For shaft diameter 12 mm					
Grey	125	OHM125L12	1SCA022739R1150	1	0.76
Grey	175	OHM175L12	1SCA022739R1230	1	0.83
Grey	275	OHM275L12	1SCA022832R4840	1	0.96
Grey	2x200	OHM200L12P	1SCA104439R1001	1	2.0

For side operated switch disconnectors, IP 65, Nema type 1, 3R, 12

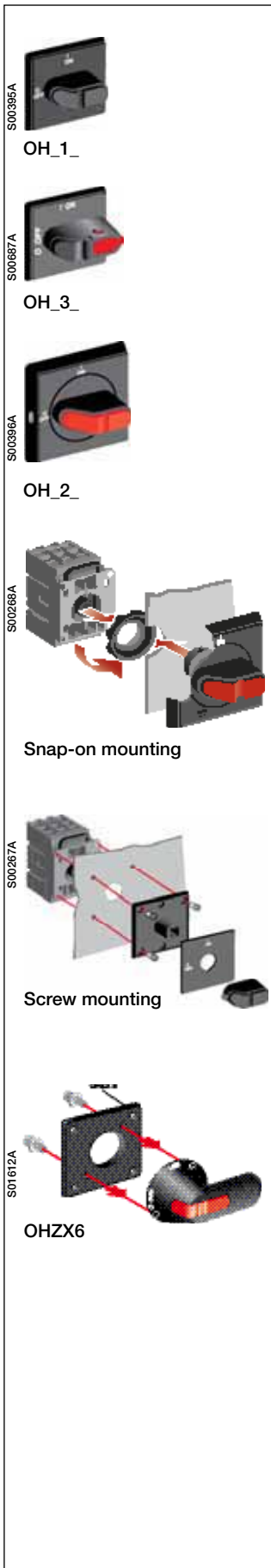
For mounting on the side of the enclosure. Padlockable with three padlocks in the OFF-position, door interlock in the ON-position, IP 65. The position indications are rotated 90°. If the handle is mounted on the front of the door, a standard handle can be used as well.

Colour	Handle length [mm]	Type	Order number	Units/ type [pcs]	Weight/ unit [kg]
For shaft diameter 6 mm					
Plastic handles, black and red-yellow: I-O/ON-OFF, grey: I-O.					
Black	65	OHB65J6E00S	1SCA022382R9850	1	0.12
Red-yellow	65	OHY65J6E00S	1SCA022382R9930	1	0.12
Grey	65	OHG65J6E00S	1SCA022383R4510	1	0.12
Plastic handles, black and red-yellow: Test/I-O/ON-OFF, grey: Test/I-O.					
Black	65	OHB65J6TE00S	1SCA109016R1001	1	0.12
Red-yellow	65	OHY65J6TE00S	1SCA022688R0140	1	0.12
Grey	65	OHG65J6TE00S	1SCA109014R1001	1	0.12
For shaft diameter 12 mm					
Plastic handles, indication I-O/ON-OFF					
Black	145	OHB145J12E00S	1SCA022679R9700	1	0.17



Optional handles

Ordering information



Optional handles, door mounted switches

Selector type handles

Indication I-O and ON-OFF. No separate shaft needed.
The type and the ordering numbers are for one piece.

Colour	Suitable for switches	Type	Order number	Delivery batch [pcs]
--------	-----------------------	------	--------------	----------------------

Snap-on mounting, door drilling 22,5 mm

No padlocking, IP 54, NEMA 1

Black	OT16...40FT	OHBS1PH	1SCA105211R1001	150
Yellow-red	OT16...40FT	OHYS1PH	1SCA105294R1001	150
Silver	OT16...40FT	OHSS1PH	1SCA105276R1001	150
Grey	OT16...40FT	OHGS1PH	1SCA105263R1001	150

Padlockable with one padlock, IP 54, NEMA 1

Black	OT16...40FT	OHBS3PH	1SCA105236R1001	150
Yellow-red	OT16...40FT	OHYS3PH	1SCA105327R1001	150
Silver	OT16...40FT	OHSS3PH	1SCA105285R1001	150
Grey	OT16...40FT	OHGS3PH	1SCA105272R1001	150

Padlockable with max. 3 padlocks, IP 65, NEMA 1, 3R, 12

Black	OT16...40FT	OHBS2PJ	1SCA105231R1001	120
Yellow-red	OT16...40FT	OHYS2PJ	1SCA105322R1001	120
Silver	OT16...40FT	OHSS2PJ	1SCA105280R1001	120
Grey	OT16...40FT	OHGS2PJ	1SCA105268R1001	120

Screw mounting, hole distance 36 mm

No padlocking, IP 54, NEMA 1

Black	OT16...80FT	OHBS1RH	1SCA105212R1001	150
Yellow-red	OT16...80FT	OHYS1RH	1SCA105295R1001	150
Silver	OT16...80FT	OHSS1RH	1SCA105277R1001	150
Grey	OT16...80FT	OHGS1RH	1SCA105264R1001	150

Padlockable with one padlock, IP 54, NEMA 1

Black	OT16...80FT	OHBS3RH	1SCA105237R1001	150
Yellow-red	OT16...80FT	OHYS3RH	1SCA105328R1001	150
Silver	OT16...80FT	OHSS3RH	1SCA105286R1001	150
Grey	OT16...80FT	OHGS3RH	1SCA105273R1001	150

Padlockable with max. 3 padlocks, IP 65, hole distance 36/48 mm, NEMA 1, 3R, 12

Black	OT16...125FT	OHBS2RJ	1SCA105232R1001	120
Yellow-red	OT16...125FT	OHYS2RJ	1SCA105323R1001	120
Silver	OT16...125FT	OHSS2RJ	1SCA105281R1001	120
Grey	OT16...125FT	OHGS2RJ	1SCA105269R1001	120

Pistol handle mounting kit for OT 100...125 FT_ switches

Pistol handle is not included

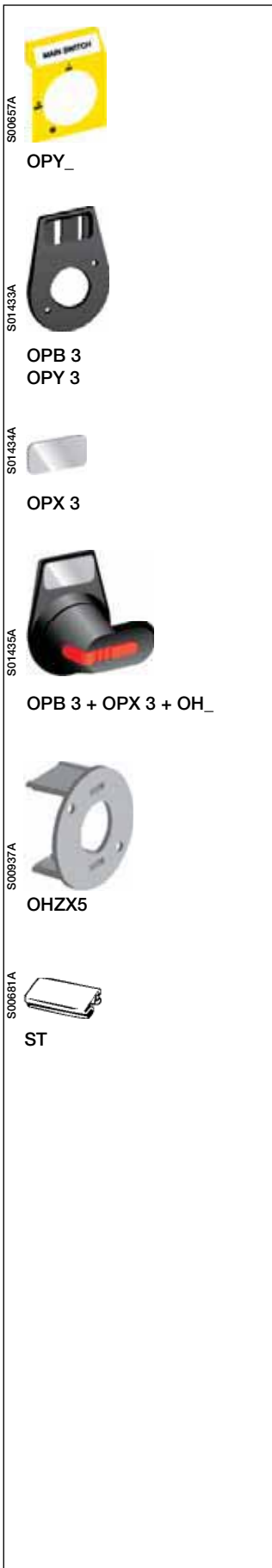
Black	OHZX6	1SCA022559R5670	10
-------	-------	-----------------	----

• Door interlocking in ON-position means that the door can not be opened, when the handle is in ON-position. This can be defeated in IP 65 types to allow authorized personnel access for inspection.

• NEMA 4, 4x pistol handles available on request.
• Handles padlockable in all positions are available on request.

Legend plates and handle accessories

Ordering information



OPY_

OPB 3
OPY 3

OPX 3

OPB 3 + OPX 3 + OH_

OHZX5

ST

Legend plates for selector type handles

Description	Type	Order number	Units/ type [pcs]
Plain plates for OH 1_ and OH 3_ handles.			
Black	OPBS1	1SCA111519R1001	1
Yellow	OPYS1	1SCA111528R1001	1
Silver	OPSS1	1SCA111523R1001	1
Grey	OPGS1	1SCA111563R1001	1
Plain plates for OH 2_ handles.			
Black	OPB2	1SCA022353R4110	1
Yellow	OPY2	1SCA022353R4200	1
Silver	OPS2	1SCA022353R4460	1
Grey	OPG2	1SCA022353R4380	1
Printed plates for OH 1_ and OH3_ handles. Text: MAIN SWITCH.			
Black	OPBS1EN1	1SCA111520R1001	1
Yellow	OPYS1EN1	1SCA111530R1001	1
Silver	OPSS1EN1	1SCA111525R1001	1
Grey	OPGS1EN1	1SCA111526R1001	1
Printed plates for OH 2_ handles. Text: MAIN SWITCH.			
Black	OPB2EN1	1SCA022400R2070	1
Yellow	OPY2EN1	1SCA022400R2740	1
Silver	OPS2EN1	1SCA022400R2230	1
Grey	OPG2EN1	1SCA022400R2310	1

Legend plates for pistol type handles

Holder	Text	Type	Order number	Units/ type [pcs]
Black		OPB3	1SCA022679R3410	1
Yellow		OPY3	1SCA022695R0450	1
Lettering plate				
Silver	Blanco	OPX3	1SCA022679R3500	1
Silver	Pääkytkin	OPX3F1	1SCA022695R0530	1
Silver	Main Switch	OPX3EN1	1SCA022695R0610	1
Silver	Hauptschalter	OPX3DE1	1SCA022695R0700	1
Silver	Huvudbrytare	OPX3SE1	1SCA022695R0880	1
Silver	Customer's own text	OPX3/TEXT	1SCA022696R6370	1

Handle support

Suitable for OT 160E

For direct mounting of OH_65, 80 handles on the switch mechanism.
The type and the ordering numbers are for one piece.

Colour	Height from the bottom of the switch	Type	Order number	Delivery batch [pcs]
Black	83 mm	OHZX5	1SCA22467R5060	10

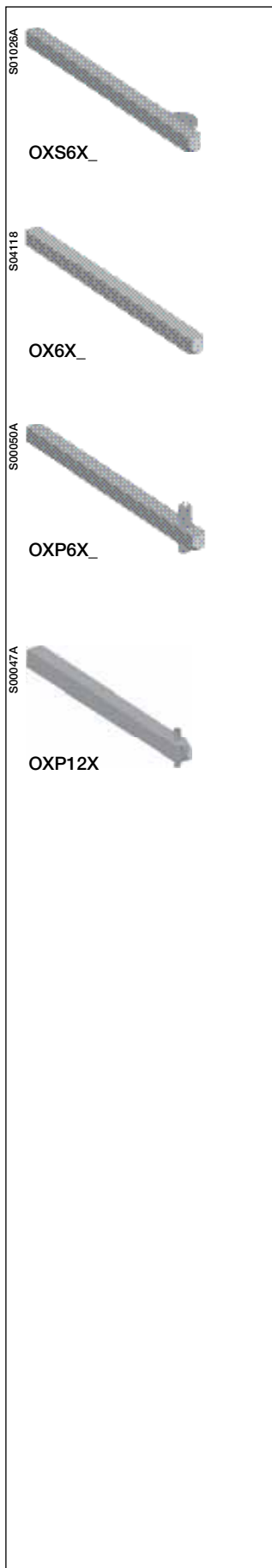
Labelling accessories

Suitable for OT100F and OT125F

Description	Type	Order number	Units/ type [pcs]	Weight/ unit [kg]
Label carrier, snap-on fixing	ST	1SCA022407R8210	10	0.01
Description label, in a sheet 250 labels	ST-E	1SCA022407R8300	1	0.01


Shafts

Ordering information



Shafts

The type and ordering numbers are for one piece

Shaft length [mm]	H [mm]		Suitable for switches	Type	Order number	Delivery batch [pcs]	Weight/unit [kg]
For selector type handles. Shaft diameter 6 mm.							
85	See dimension drawings		OT16...125F	OXS6X85	1SCA101647R1001	10	0.02
105			OT16...125F	OXS6X105	1SCA108043R1001	10	0.02
120			OT16...125F	OXS6X120	1SCA101654R1001	10	0.03
130			OT16...125F	OXS6X130	1SCA101655R1001	10	0.03
160			OT16...125F	OXS6X160	1SCA101656R1001	10	0.04
180			OT16...125F	OXS6X180	1SCA101659R1001	10	0.04
250			OT16...125F	OXS6X250	1SCA101660R1001	10	0.05
330			OT16...125F	OXS6X330	1SCA101661R1001	10	0.05
For round padlockable type handles. Shaft diameter 6 mm.							
60	See dimension drawings		OT16...125F	OX6X60	1SCA111459R1001	10	0.02
85			OT16...125F	OX6X85	1SCA111274R1001	10	0.02
105			OT16...125F	OX6X105	1SCA111930R1001	10	0.02
115			OT16...125F	OX6X115	1SCA111931R1001	10	0.03
130			OT16...125F	OX6X130	1SCA111460R1001	10	0.03
155			OT16...125F	OX6X155	1SCA111275R1001	10	0.04
200			OT16...125F	OX6X200	1SCA111932R1001	10	0.04
300			OT16...125F	OX6X300	1SCA111933R1001	10	0.05
For pistol type handles. Shaft diameter 6 mm.							
150	See dimension drawings		OT16...125F	OX6X150	1SCA022295R5600	10	0.05
170			OT16...125F	OX6X170	1SCA108224R1001	10	0.05
265			OT16...125F	OX6X265	1SCA108225R1001	10	0.08
400			OT16...125F	OX6X400	1SCA108226R1001	10	0.12
Shaft diameter 6 mm ¹⁾							
130	105 ... 135		OT160E	OX6X130	1SCA022057R0570	10	0.04
150	125 ... 155		OT160E	OX6X150	1SCA022295R5600	10	0.05
210	185 ... 215		OT160E	OX6X210	1SCA022295R6080	10	0.06
130	109...174		OT160EV...250_	OX6X130	1SCA022057R0570	10	0.04
150	129...194		OT160EV...250_	OX6X150	1SCA022295R5600	10	0.05
161	140...205		OT160EV...250_	OX6X161	1SCA022067R1760	10	0.05
210	189...254		OT160EV...250_	OX6X210	1SCA022295R6080	10	0.06
290	269...334		OT160EV...250_	OX6X290	1SCA022042R6370	10	0.08
Shaft diameter 12 mm							
166	146...226		OT315...400_	OX6X166	1SCA022325R7100	1	0.20
185	165...245		OT315...400_	OX6X185	1SCA022325R6710	1	0.20
250	230...310		OT315...400_	OX6X250	1SCA022325R6980	1	0.28
280	260...340		OT315...400_	OX6X280	1SCA022137R5140	1	0.30
325	305...385		OT315...400_	OX6X325	1SCA022042R5810	1	0.36
395	445...525		OT315...400_	OX6X395	1SCA022042R5990	1	0.43
465	439...519		OT315...400_	OX6X465	1SCA022042R6020	1	0.51
535	515...595		OT315...400_	OX6X535	1SCA022042R6110	1	0.59
250	230...345		OT630...800_	OX6X250	1SCA022325R6980	1	0.28
280	260...375		OT630...800_	OX6X280	1SCA022137R5140	1	0.30
325	305...420		OT630...800_	OX6X325	1SCA022042R5810	1	0.36
395	375...490		OT630...800_	OX6X395	1SCA022042R5990	1	0.43
465	445...560		OT630...800_	OX6X465	1SCA022042R6020	1	0.51
535	515...630		OT630...800_	OX6X535	1SCA022042R6110	1	0.59
250	221...350		OT1000...2500	OX6X250	1SCA022325R6980	1	0.28
280	251...380		OT1000...2500 ²⁾	OX6X280	1SCA022137R5140	1	0.30
325	296...425		OT1000...2500 ²⁾	OX6X325	1SCA022042R5810	1	0.36
395	366...495		OT1000...2500 ²⁾	OX6X395	1SCA022042R5990	1	0.43
465	436...565		OT1000...2500 ²⁾	OX6X465	1SCA022042R6020	1	0.51
535	506...635		OT1000...2500 ²⁾	OX6X535	1SCA022042R6110	1	0.59
325	340...535		OETL3150	OX6X325	1SCA022042R5810	1	0.36
395	410...605		OETL3150	OX6X395	1SCA022042R5990	1	0.43
465	480...675		OETL3150	OX6X465	1SCA022042R6020	1	0.51
535	550...745		OETL3150	OX6X535	1SCA022042R6110	1	0.59

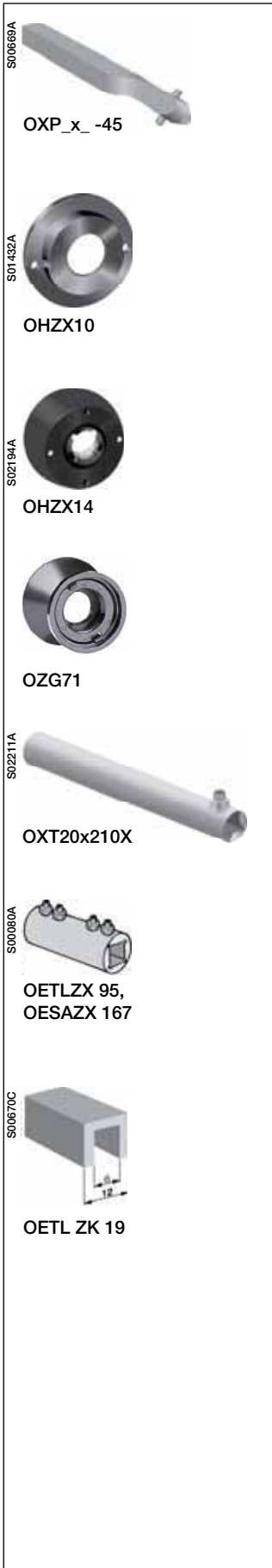
¹⁾ Longer shafts on request

²⁾ Wide versions OT1000-1600W_

- with shafts over 280 mm, shaft tube OXT20x210X must be used, see next page

Shafts and shaft accessories

Ordering information



Shafts

Twisted shafts for pistol type handles, the shaft position is rotated 45 degrees. The type and the ordering numbers are for one piece.

Shaft length [mm]	H dimension [mm]	Suitable for switches	Type	Order number	Delivery batch [pcs]	Weight/unit [kg]
For pistol type handles. Shaft diameter 6 mm.						
150	See dimension drawings	OT16...125F	OXP6X150-45	1SCA022294R4400	10	0.05
170		OT16...125F	OXP6X170-45	1SCA108227R1001	10	0.05
265		OT16...125F	OXP6X265-45	1SCA108228R1001	10	0.08
400		OT16...125F	OXP6X400-45	1SCA108229R1001	10	0.12
130	109...174	OT160EV...250	OXP6X130-45	1SCA022355R9110	10	0.04
150	129...194	OT160EV...250	OXP6X150-45	1SCA022294R4400	10	0.05
210	189...254	OT160EV...250	OXP6X210-45	1SCA022294R4230	10	0.06
290	269...334	OT160EV...250	OXP6X290-45	1SCA022304R4290	10	0.08
Shaft diameter 12 mm						
250	230...310	OT315...400	OXP12X250-45	1SCA022293R9400	1	0.28
280	260...340	OT315...400	OXP12X280-45	1SCA022382R0800	1	0.30
325	305...385	OT315...400	OXP12X325-45	1SCA022304R4450	1	0.36
395	445...525	OT315...400	OXP12X395-45	1SCA022749R0640	1	0.43
465	439...519	OT315...400	OXP12X465-45	1SCA022423R1770	1	0.51
535	515...595	OT315...400	OXP12X535-45	1SCA022723R2940	1	0.59
250	226...355	OT1000...2500	OXP12X250-45	1SCA022293R9400	1	0.28
280	256...385	OT1000...2500	OXP12X280-45	1SCA022382R0800	1	0.30
325	301...430	OT1000...2500	OXP12X325-45	1SCA022304R4450	1	0.36
395	371...500	OT1000...2500	OXP12X395-45	1SCA022749R0640	1	0.43
465	441...570	OT1000...2500	OXP12X465-45	1SCA022423R1770	1	0.51
535	511...640	OT1000...2500	OXP12X535-45	1SCA022723R2940	1	0.59
325	340...535	OETL3150	OXP12X325-45	1SCA022304R4450	1	0.36
395	410...605	OETL3150	OXP12X395-45	1SCA022749R0640	1	0.43
465	480...675	OETL3150	OXP12X465-45	1SCA022423R1770	1	0.51
535	550...745	OETL3150	OXP12X535-45	1SCA022723R2940	1	0.59

Shaft alignment ring

Improves the handle operation if a handle and a shaft have been poorly aligned. The type and the ordering numbers are for one piece.

Colour	Suitable for handle	Type	Order number	Delivery batch [pcs]	Weight/unit [kg]
For pistol type handles OH_65...275J6...12.					
Black		OHZX10	1SCA022661R3610	10	0.23
For selector type handles OH_1...3					
Black		OHZX11	1SCA022708R3170	10	0.23
For round padlockable handle OZ371P_					
Black		OZG71	1SCA111686R1001	10	0.05

Extension ring for pistol type handles

Black	OHB_	OHZX14	1SCA022851R6590	1	0.06
-------	------	--------	-----------------	---	------

Shaft tube for OT1000...2500

For switch-disconnectors with wide phase distance (140 mm or 185 mm) Supporting 12 mm shafts longer than 280 mm

OXT20x210X	1SCA103684R1001	1	1.5
------------	-----------------	---	-----

Shaft extension socket

For extending the shaft of combination attachment.

Shaft diameter [mm]	Type	Order number	Units/type [pcs]	Weight/unit [kg]
6	OESAZX167	1SCA022190R1560	1	0.03
12	OETLZX95	1SCA022083R5620	1	0.04

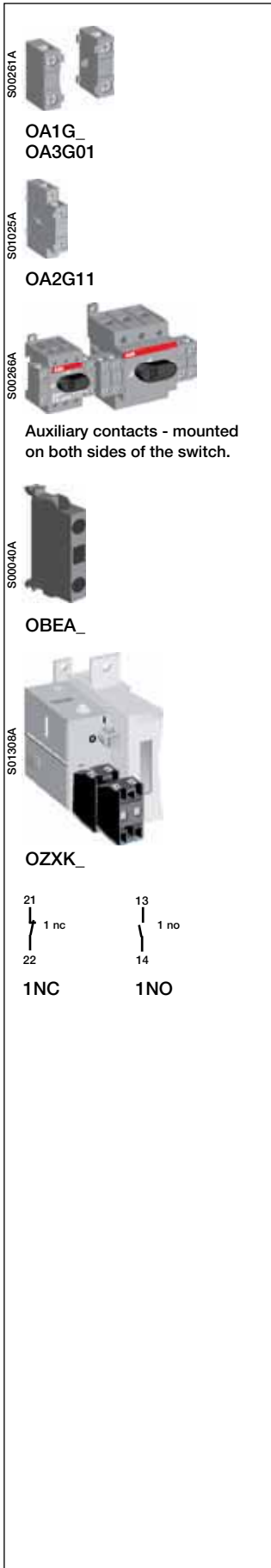
Adapter for extension socket

The adapter can be placed inside the extension socket OETLZX95.

6	OETLZK19	1SCA022093R1850	1	0.02
---	----------	-----------------	---	------

Auxiliary contacts

Ordering information



Auxiliary contact blocks, IP 20

Contact numbering according to EN 50013. The type and the ordering numbers are for one piece.

Suitable for switches	Function	Type	Order number	Delivery batch ⁴⁾ [pcs]	Weight/unit [kg]
-----------------------	----------	------	--------------	------------------------------------	------------------

Auxiliary contact blocks for OT 16...125

Snap-on mounting to the side of the switch

$I_{th} = 16A$, cable cross section max. $2 \times 2.5 \text{ mm}^2$. Early-break type OA1G10

Mountable on left side, max. 2 pcs

OT 16...125F_ , FT_	1NC	OA1G01	1SCA022353R4890	10	0.03
OT 16...125F_ , FT_	1NC	OA1G01AU ¹⁾	1SCA022436R7830	10	0.03

Mountable on the right side, max. 2 pcs

OT 16...125F_ , FT_	1NO	OA1G10	1SCA022353R4970	10	0.03
OT 16...125F_ , FT_	1NO	OA1G10AU ¹⁾	1SCA022436R7910	10	0.03

Mountable on both sides

OT 16...40: max. 2NO+2NC, OT63...125: max. 4NO+4NC³⁾

OT 16...125F_	1NO+1NC	OA2G11 ²⁾	1SCA022379R8100	10	0.03
---------------	---------	----------------------	-----------------	----	------

Auxiliary contact blocks for OT160E

Mounting with adapter to the side of the switch

$I_{th} = 16A$, cable cross section max. $2 \times 2.5 \text{ mm}^2$. Mounting with the adapter OAZX1, max. 2 blocks/side.

OT160E_ , ET_	1NO+1NC	OA2G11	1SCA022379R8100	10	0.03
---------------	---------	--------	-----------------	----	------

Mounting with adapter on top of the switch

$I_{th} = 10 A$. Cable cross section $0.5 \text{ mm}^2 \dots 2 \times 2.5 \text{ mm}^2$. Insulation voltage $U_i 690 V$. Mounting with the adapter OEZNP1, max. 6 aux. blocks. Early break type.

OT160E_	1NO	OBEA10	1SCA022190R3000	10	0.02
OT160E_	1NO	OBEA10AU ¹⁾	1SCA022185R3310	10	0.02
OT160E_	1NC	OBEA01	1SCA022190R3260	10	0.02
OT160E_	1NC	OBEA01AU ¹⁾	1SCA022185R3730	10	0.02

Auxiliary contact blocks for OT160EV...2500

Mounting under the mechanism cover

The "test" contacts operate in ON- and OFF-positions as well as when the handle is turned to TEST-position = 45 degrees over the OFF-position. The "test indication" contacts operate only when the handle is turned to TEST-position. See the function table below. The OA1G10 (N.O.) or OA3G01 (N.C.) auxiliary contact blocks can be used as standard auxiliary contacts, "test" or "test indication" contacts. The desired functions are achieved when an auxiliary contact block is installed in a specific place shown in the mounting instruction. In order to activate the "test" and "test indication" features a handle with test function is required. See the optional handles, page 31.

OT160EV-250: Max. 4 test contacts or 2 test contacts + 2 test indication contacts.

OT315-800: Max. 4 test contacts + 4 test indication contacts.

OT1000-2500: Max 4 test indication contacts + 6 test contacts + 2 early operation test contacts.

The test contacts can be used as standard auxiliary contacts as well.

Function table of OT160EV...2500 auxiliary contacts

Handle position	Main contacts	Aux. / Test contacts N.O.	Test indication contact N.O.
Test	open	closed	closed
0	open	open	open
I	closed	closed	open

Mounting on the left side of the switch

Max. 8 auxiliary contact blocks with the OEA28 module.

OT160EV...2500	1NO	OA1G10	1SCA022353R4970	10	0.03
	1NO	OA1G10AU ¹⁾	1SCA022436R7910	10	0.03
	1NC	OA3G01	1SCA022456R7410	10	0.03
	1NC	OA3G01AU ¹⁾	1SCA022819R5260	10	0.03

¹⁾ Types _AU are gold plated for extremely difficult circumstances and low voltages.

²⁾ Not mountable on the same side as the fourth pole.

³⁾ Contact numbering:
 (83) (43) (53) 13 21 (61) (31) (71)
 (84) (44) (54) 14 22 (62) (32) (72)

⁴⁾ Auxiliary contacts OA1G_ are available in larger packing as well. A bulk package includes 50 switches. Type number: add a suffix: /B, e.g. OA1G01/B.

Early break type auxiliary contacts means that in the switches, the NO aux.contacts break before the main contacts open.

Performance data of auxiliary contacts, see page 39.

The contact timing: see the charts on page 78.

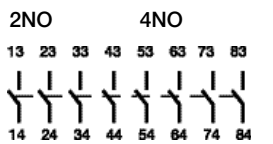
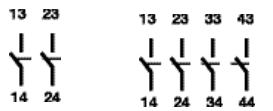
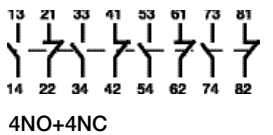
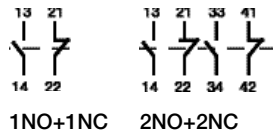
Auxiliary contacts

Ordering information

Auxiliary contact blocks, IP 20

Contact numbering according to EN 50013. The type and the ordering numbers are for one piece.

Suitable for switches	Function	Type	Order number	Delivery batch [pcs]	Weight/unit [kg]
-----------------------	----------	------	--------------	----------------------	------------------



8NO



OA_G_

Auxiliary contact blocks for OETL3150

Mounting on the mechanism cover

$I_{th} = 10$ A. Cable cross section $0.5 \text{ mm}^2 \dots 2 \times 2.5 \text{ mm}^2$. Insulation voltage U_i 690 V. Early break type.

OETL3150	Function	Type	Order number	Delivery batch [pcs]	Weight/unit [kg]
OETL3150	1NO+1NC	OZ XK1	1SCA022131R8690	1	0.12
OETL3150	2NO+2NC	OZ XK2	1SCA022131R8850	1	0.12
OETL3150	4NO+4NC	OZ XK3 ¹⁾	1SCA022131R9070	1	0.18
OETL3150	2NO	OZ XK4	1SCA022131R9230	1	0.09
OETL3150	4NO	OZ XK5	1SCA022131R9400	1	0.12
OETL3150	8NO	OZ XK6 ²⁾	1SCA022131R9660	1	0.18

Auxiliary contacts for OTM160...2500

Mounting on the side

Units/type = 1 piece.

Types _AU have gold plated contacts for harsh environments and low operating voltages.

Mounting on the right side of the OTM motorized switch-disconnector: Maximum 2+2 auxiliary contact blocks (N.O. or N.C.), snap-on mounting.

Suitable for switches	Description	Protection degree	Type	Order number	Delivery batch [pcs]	Weight [kg]
OTM	1NO	IP20	OA1G10	1SCA022353R4970	10	0.03
	1NC	IP20	OA3G01	1SCA022456R7410	10	0.03
	1NO	IP20	OA1G10AU	1SCA022436R7910	10	0.03
	1NC	IP20	OA3G01AU	1SCA022819R5260	10	0.03

Mounting under the mechanism cover:

The "test" contacts operate in ON- and OFF-positions as well as when the handle is turned to TEST-position = 45 degrees over the OFF-position. The "test indication" contacts operate only when the handle is turned to TEST-position. See the function table below. The OA1G10 (N.O.) or OA3G01 (N.C.) auxiliary contact blocks can be used as standard auxiliary contacts, "test" or "test indication" contacts. The desired functions are achieved when an auxiliary contact block is installed in a specific place shown in the mounting instruction.

Function table of OTM auxiliary contacts

Handle position	Main contacts	Aux./Test contacts N.O.	Test indication contacts N.O.
Test	open	closed	closed
0	open	open	open
I	closed	closed	open

Maximum number of contact blocks, "Aux./test" contacts and "test indication" contacts, see the table below.

Maximum number of auxiliary contacts under the mechanism cover of OTM

	OTM 160...250	OTM315...400	OTM630...800	OTM 1000...2500
Maximum number of contact blocks	2	4	4	6
Aux./Test contacts	2	-	-	2 ³⁾
Test indication contacts	-	4	4	4

¹⁾ 8 NO + 8 NC auxiliary contacts = 2 x OZ XK 3

²⁾ 16 NO auxiliary contacts = 2 x OZ XK 6

³⁾ Early operation test contact

Early break type auxiliary contacts means that in the switches, the NO aux.contacts break before the main contacts open.

Performance data of auxiliary contacts, see next page.

The contact timing: see the charts on page 78.

Auxiliary contacts

Ordering information

Mounting accessories for auxiliary contacts

Suitable for switches	Type	Order number	Units/type [pcs]	Weight/unit [kg]
-----------------------	------	--------------	------------------	------------------

Adapter for OA2G11 with OT160E

Max. two blocks/side. Mountable on either side of the switch.

OT160E_, ET_	OAZX1	1SCA022467R5140	1	0.03
--------------	-------	-----------------	---	------

Adapter for OBEA_ with OT160E

Mountable on top of the switch.

OT160E	OEZNP1	1SCA022259R7410	1	0.02
--------	--------	-----------------	---	------

Numbering stickers for auxiliary contact blocks OBEA_

Required if several blocks are used. Fill numbers by pen or typewrite.

OBEA10, 1 NO	OBEAZX10	1SCA022264R9910	10	0.01
OBEA01, 1 NC	OBEAZX01	1SCA022276R2470	10	0.01

Module for auxiliary contacts with OT160EV...2500

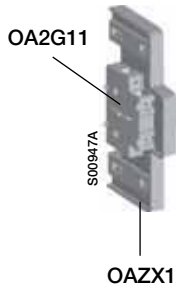
Screw mounting to the left side of the switch

OT160EV...2500	OEA28	1SCA022714R8810	1	0.04
----------------	-------	-----------------	---	------

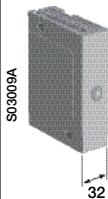
Performance data of auxiliary contacts according to IEC 60947-5-1

For OA1G_, OA2G_, OA3G_							For OBEA_ and OZK_			
Ue/[V]	AC15 Ie/[A]	Ue/[V]	DC12 Ie/[A] P/[W]		DC13 Ie/[A] P/[W]		AC12 Ue/[V] Ie/[A]		DC12 Ue/[V] Ie/[A]	
230	6	24	10	240	2	50	120	8	125	1.1
400	4	72	4	290	0.8	60	240	6	250	0.55
415	4	125	2	250	0.55	70	400	4	440	0.31
690	2	250	0.55	140	0.27	70	415	4	500	0.27
		440	0.1	44			480	3	600	0.2
							500	3		
							690	2		

For OA1G_, OA2G_, OA3G_	
U/[V]	690
U _{imp} /[kV]	4
Pollution degree	3
I _{th} /[A]	16
Cable size	1...2 x 0.75...2.5 mm ²
Maximum fuse	16A / gG
NEMA	A600, R300, wire size: 18 - 14 AWG, 1(2)



Configuration labels:
OBEAZX 10 OBEAZX 01



OEA28

Fourth poles, neutral and earth terminals, neutral links

Ordering information

Fourth poles

Mountable on the side of the switch. The type and the ordering numbers are for one piece.

Suitable for switches	Function	Type	Order number	Delivery batch [pcs]	Weight/unit [kg]
Simultaneous function with the main contacts					
OT16...40F3		OTPS40FPN1 ¹⁾	1SCA105001R1001	10	0.03
		OTPS40FPN2 ²⁾	1SCA105000R1001	10	0.06
OT 63...80F3		OTPS80FP	1SCA105461R1001	10	0.14
OT 100...125F3		OTPS125FP	1SCA105099R1001	10	0.14
OT 16...40FT3		OTPS40FDN1 ¹⁾	1SCA104999R1001	10	0.06
		OTPS40FDN2 ²⁾	1SCA104998R1001	10	0.14
OT 63...80FT3	7(N) L4	OTPS80FD	1SCA105458R1001	5	0.30
OT 100...125FT3		OTPS125FD	1SCA105096R1001	1	0.30
OT 160E3, ET3	7(N) T4	OTZNA1-160E4	1SCA022271R8310	5	0.3
OT160E3, ET3		OTPS160EP	1SCA022325R7360	1	0.3
OT160EV...250		OTZ250E	1SCA022735R9420	10	0.35
OT315...400		OTZ400E	1SCA022749R1960	10	0.59
OT630...800		OTZ800E	1SCA022807R5100	1	1.70
OT1000...1250		OTZ1250E	1SCA103765R1001	1	4.30
OT1600		OTZ1600E	1SCA100431R1001	1	4.54
OT2000...2500		OTZ2500E	1SCA107931R1001	1	4.30

Late-break and early-make

Suitable for switches	Function	Type	Order number	Delivery batch [pcs]	Weight/unit [kg]
OT 16...40F3	N	OTPL40FP	1SCA105717R1001	10	0.03
OT 63...80F3		OTPL80FP	1SCA105452R1001	10	0.06
OT 100...125F3		OTPL125FP	1SCA105090R1001	10	0.14
OT 16...40FT3	N	OTPL40FD	1SCA105716R1001	10	0.03
OT 63...80FT3		OTPL80FD	1SCA105451R1001	10	0.06
OT 100...125FT3		OTPL125FD	1SCA105088R1001	10	0.14

Neutral and earth terminals

Mountable on the side of the switch. The type and the ordering numbers are for one piece.

Fixed neutral

Suitable for switches	Function	Type	Order number	Delivery batch [pcs]	Weight/unit [kg]
OT 16...40F3	N	OTPN40FP	1SCA104997R1001	10	0.03
OT 63...80F3		OTPN80FP	1SCA105457R1001	10	0.06
OT 100...125F3		OTPN125FP	1SCA105094R1001	10	0.14
OT 160E3, ET3	N	OTPN160EP	1SCA022344R9510	1	0.30
OT 16...40FT3		OTPN40FD	1SCA105718R1001	10	0.03
OT 63...80FT3		OTPN80FD	1SCA105456R1001	10	0.06
OT 100...125FT3		OTPN125FD	1SCA105092R1001	10	0.14

Detachable neutral

Suitable for switches	Function	Type	Order number	Delivery batch [pcs]	Weight/unit [kg]
OT 16...40F3	N	OTPD40FP	1SCA104994R1001	10	0.03
OT 63...80F3		OTPD80FP	1SCA105445R1001	10	0.06
OT 100...125F3		OTPD125FP	1SCA105083R1001	10	0.14
OT 63...80FT3		OTPD80FD	1SCA105444R1001	1	0.06

Protective earth

Suitable for switches	Function	Type	Order number	Delivery batch [pcs]	Weight/unit [kg]
OT 16...40F3	PE	OTPE40FP	1SCA104995R1001	10	0.03
OT 63...80F3		OTPE80FP	1SCA105448R1001	10	0.06
OT 100...125F		OTPE125FP	1SCA105128R1001	10	0.14
OT 160E3, ET3	PE	OTPE160EP	1SCA022345R0010	1	0.30
OT 16...40FT3		OTPE40FD	1SCA109884R1001	10	0.03
OT 63...80FT3		OTPE80FD	1SCA105446R1001	10	0.06
OT 100...125FT3		OTPE125FD	1SCA105698R1001	10	0.14

Neutral links

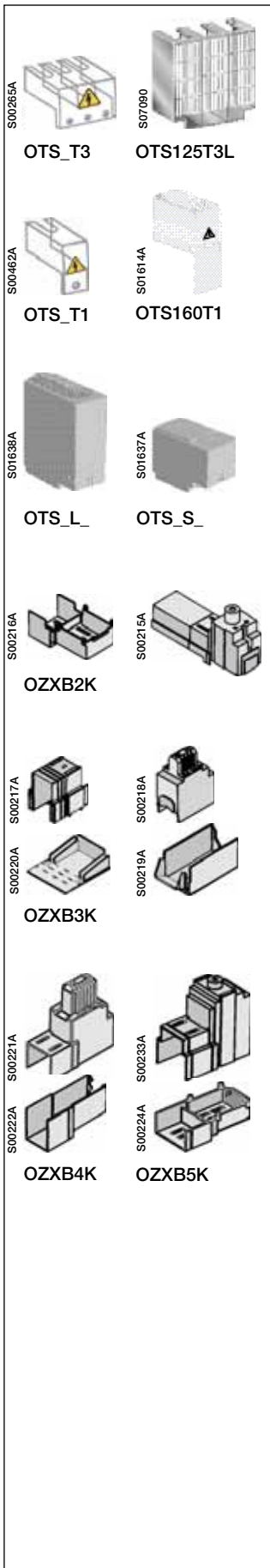
Suitable for switches	I _{th} [A]	Type	Order number	Units/type [pcs]	Weight/unit [kg]
Detachable, mountable separately to the base plate					
OT160EV...250/OTM 160...250	250	OXN250	1SCA022752R9950	1	0.26
OT/OTM 315...400	400	OXN400	1SCA022770R3060	1	0.70
OT/OTM 630...800	800	OXN800T	1SCA022829R0840	1	0.96
OT/OTM 1000...1250	1250	OXN1250T	1SCA104162R1001	1	2.2
Mountable separately to the base plate					
	200	OESAZX162	1SCA022193R0400	1	0.12
	315	OESAZX164	1SCA022202R9520	1	0.10
	400	OESAZX165	1SCA022202R9790	1	0.12
	1000	OESAZX160	1SCA022186R3960	1	1.00

¹⁾ N1=On the left side of the switch
²⁾ N2=On the right side of the switch



Terminal shrouds

Ordering information



Terminal shrouds

The type and the ordering numbers are for one piece.

Suitable for switches	Type	Order number	Delivery batch [pcs]	Weight/unit [kg]
Snap-on mounting, transparent				
For 3-pole switches				
OT 16...40F3, -FT3	OTS40T3	1SCA105317R1001	10	0.01
OT63...80F3, -FT3	OTS63T3	1SCA022353R6750	10	0.01
OT 100...125F3, FT3	OTS125T3	1SCA022379R9680	10	0.01
OT125FL_	OTS125T3L	1SCA114722R1001	1	0.065
OT160E3	OTS160T3	1SCA022495R4610	1	0.08
OT100...125F3 with terminal clamps OZXL1 or OZXT1	OTS125T3P	1SCA022491R9890	10	0.01
For 4-pole switches				
OT160E4	OTS160T4	1SCA022495R4700	1	0.08
For 1 to 4-pole switches, shroud for single pole and for fourth pole				
OTP_40F_	OTS40T1	1SCA105314R1001	10	0.01
OTP_80F_	OTS63T1	1SCA022353R6910	10	0.01
OTP_125F_	OTS125T1	1SCA022379R9760	10	0.01
OT160E_	OTS160T1	1SCA022691R2010	1	0.01
For OT100...125E3 with terminal clamps				
OZXL1/1 or OZXT1	OTS125T1P	1SCA022491R9970	10	0.01

Snap-on mounting, grey plastic

Pack of single pole shrouds, IP 3X. Transparent shrouds available on request.

Suitable for switches	Description	Type	Order number	Units/type [pcs]	Weight/unit [kg]
For 3-pole switches					
OT160EV...250/OTM160...250	Long type	OTS250G1L/3	1SCA022731R8150	3	0.09
OT160EV...250/OTM160...250	Short type	OTS250G1S/3	1SCA022731R8310	3	0.06
OT/OTM315...400	Long type	OTS400G1L/3	1SCA022736R8840	3	0.15
OT/OTM315...400	Short type	OTS400G1S/3	1SCA022736R9060	3	0.09
OT/OTM630...800	Long type	OTS800G1L/3	1SCA022776R7890	3	0.32
OT/OTM630...800	Short type	OTS800G1S/3	1SCA022776R8190	3	0.17
OT/OTM1000...1600	Long type	OTS1600G1L/3	1SCA022871R9510	3	0.6
OT/OTM1000...1600	Short type	OTS1600G1S/3	1SCA022871R9600	3	0.4
OT/OTM2000...2500	Long type	OTS2500G1L/3	1SCA107261R1001	3	1
OT/OTM2000...2500	Short type	OTS2500G1S/3	1SCA107260R1001	3	0.5
For 4-pole switches					
OT160EV...250/OTM160...250	Long type	OTS250G1L/4	1SCA022731R8230	4	0.12
OT160EV...250/OTM160...250	Short type	OTS250G1S/4	1SCA022731R8400	4	0.08
OT/OTM315...400	Long type	OTS400G1L/4	1SCA022736R9490	4	0.20
OT/OTM315...400	Short type	OTS400G1S/4	1SCA022736R9650	4	0.12
OT/OTM630...800	Long type	OTS800G1L/4	1SCA022776R7970	4	0.42
OT/OTM630...800	Short type	OTS800G1S/4	1SCA022776R8270	4	0.26
OT/OTM1000...1600	Long type	OTS1600G1L/4	1SCA022871R9780	4	0.8
OT/OTM1000...1600	Short type	OTS1600G1S/4	1SCA022871R9860	4	0.5
OT/OTM2000...2500	Long type	OTS2500G1L/4	1SCA107262R1001	4	1.3
OT/OTM2000...2500	Short type	OTS2500G1S/4	1SCA107271R1001	4	0.7

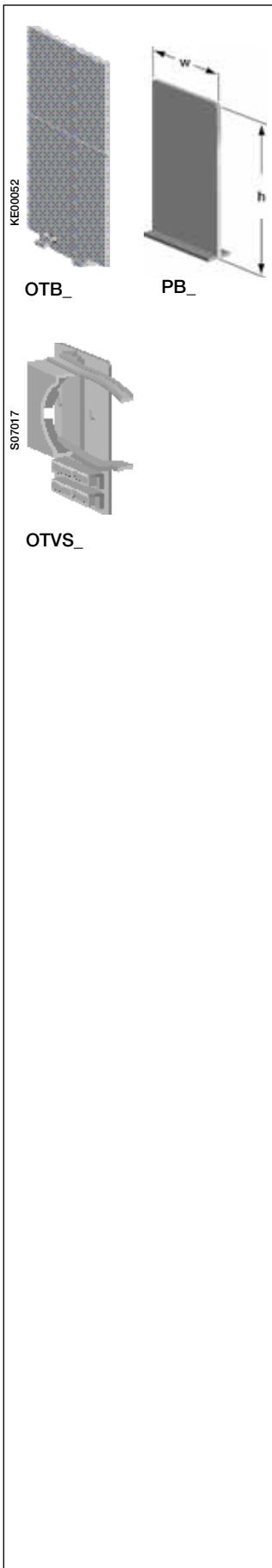
Terminal shrouds for terminal clamps

Snap-on mounting, transparent plastic, IP 2X.

Suitable for terminal clamps	Type	Order number	Units/type [pcs]	Weight/unit [kg]
OZXB2, 2L	OZXB2K	1SCA022264R0010	3	0.05
OZXB3, 4	OZXB3K	1SCA022264R0440	3	0.20
OZXB5, 6	OZXB4K	1SCA022199R2850	3	0.24
OZXB7, 7L	OZXB5K	1SCA022283R8040	3	0.13

Phase barriers and handle storage

Ordering information



Phase separators

Grey plastic plate for maintaining 1" clearance between the phases without terminal shrouds. Snap-on mounting.

Suitable for switches	Type	Order number	Units/type [pcs]	Weight/type [kg]
OT600U, OT630...800E, 3- and 4-pole	OTB800/6	1SCA022821R7760	6	0.35
OT1000...2500, 3- and 4-pole	OTB1600/6	1SCA100768R1001	6	0.50

Phase barriers

The phase barriers designed for ABB Tmax T4-T5 MCCB's can also be used for OT200...800 switch disconnectors. 3-pole switch disconnectors need 4 barriers and 4-pole switch disconnectors need 6 barriers for full protection.

Suitable for switches	Number of poles	Height h [mm]	Cutting width w of the phase barrier [mm]	Type	Order number	Units/type [pcs]
OT160EV...250	3	100	55	PB100 low	1SDA054970R1	4
	3	200	55	PB200 high	1SDA054972R1	4
	4	100	55	PB100 low	1SDA054971R1	6
	4	200	55	PB200 high	1SDA054973R1	6
OT315...400_	3	100	67	PB100 low	1SDA054970R1	4
	3	200	67	PB200 high	1SDA054972R1	4
	4	100	67	PB100 low	1SDA054971R1	6
	4	200	67	PB200 high	1SDA054973R1	6
OT600...800_	3	100	90	PB100 low	1SDA054970R1	4
	3	200	90	PB200 high	1SDA054972R1	4
	4	100	90	PB100 low	1SDA054971R1	6
	4	200	90	PB200 high	1SDA054973R1	6

Handle and spare fuse storage clip for OTM

Handle and two spare fuses (for motor operator) can be stored on the OTVS_. OTVS_ can be installed on the left side of the motorized switch-disconnector OTM. Snap-on mounting, no tools required.

On OTM 1000...2500E_, the size of the handle prevents the installation onto the switch frame. However, the handle clip can be separately installed on the panel frame and the fuse holder clip onto the switch frame.

Suitable for	Type	Order number	Units/type [pcs]	Weight [kg]
OTM160...250E_	OTVS1	1SCA111413R1001	1	0.02
OTM315...800E_	OTVS2	1SCA111414R1001	1	0.04

Connecting accessories

Ordering information



Terminal clamps

Suitable for switches	Cable cross section [mm²]	Type	Order number	Units/ type [pcs]	Weight/ unit [kg]
-----------------------	---------------------------	------	--------------	-------------------	-------------------

Terminal clamp sets for Al- and Cu-cables Insulated versions

OT63...125	16...50 Al 2.5...50 Cu	OZXT1	1SCA022469R6310	3	0.05
OT100...160E	16...120 Al/Cu 2x(6...50) Al/Cu	OZXT2 OZXT3	1SCA022620R7200 1SCA022639R0720	3 3	0.21 0.21

Terminal clamp sets for Al- and Cu-cables

Suitable for switches	Cable cross section [mm²]	Suitable shroud	Type	Order number	Units/ type [pcs]	Delivery batch [pcs]	Weight/ unit [kg]
OT100...125F	10...70		OZXL1	1SCA022439R6770	3	1	0.14
	10...70		OZXL1/1	1SCA022469R6220	1	50	0.05

OZXB type Al/Cu connectors made of stainless steel

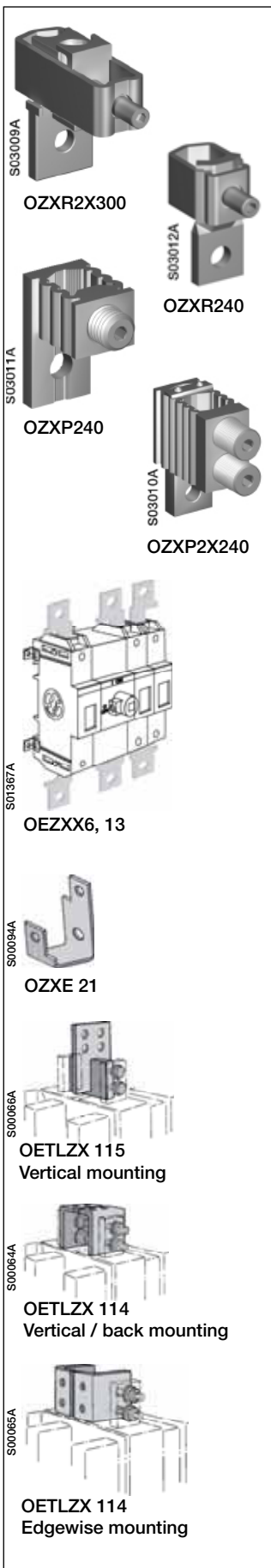
OT160EV...250, OTM160...250	10...70 10...70 25...120 25...120 25...120 25...120 95...185 95...185 95...240 95...240	OTS250_L OTS250_L OZXB2K OZXB2K OZXB2K OZXB2K OTS250_L OTS250_L OTS250_L OTS250_L	OZXB1L OZXB1L/1 OZXB2 OZXB2/1 OZXB2L OZXB2L/1 OZXB8 OZXB8/1 OZXB9 OZXB9/1	1SCA022169R2030 1SCA022194R0030 1SCA022119R7610 1SCA022194R0200 1SCA022158R7750 1SCA022194R0460 1SCA022744R1510 1SCA022744R1600 1SCA022750R3210 1SCA022750R3300	3 1 3 1 3 1 3 1 3 1	1 50 1 50 1 50 1 20 1 20	0.15 0.05 0.34 0.12 0.43 0.15 0.50 0.15 0.50 0.14
OT/OTM315...400	25...120 25...120 95...185 95...185 2x(95...185) 2x(95...185) 120...240 120...240 120...240 120...240 95...185 95...185 95...240 95...240	OZXB2K OZXB2K OZXB3K OZXB3K OZXB3K OZXB3K OZXB5K OZXB5K OZXB5K OZXB5K OTS400_L OTS400_L OTS400_L OTS400_L	OZXB2L OZXB2L/1 OZXB3 OZXB3/1 OZXB4 OZXB4/1 OZXB7 OZXB7/1 OZXB7L OZXB7L/1 OZXB8 OZXB8/1 OZXB9 OZXB9/1	1SCA022158R7750 1SCA022194R0460 1SCA022136R8100 1SCA022194R0620 1SCA022137R4760 1SCA022194R0890 1SCA022185R0040 1SCA022194R1430 1SCA022185R7130 1SCA022194R1600 1SCA022744R1510 1SCA022744R1600 1SCA022750R3210 1SCA022750R3300	3 1 3 1 3 1 3 1 3 1 3 1 3 1	1 50 1 20 1 20 1 20 1 20 1 20 1 20	0.43 0.15 1.28 0.13 1.71 0.60 1.00 0.34 1.20 0.39 0.50 0.15 0.50 0.14
OT/OTM630...800	120...300 120...300 2x(120...300) 2x(120...300)	OZXB4K OZXB4K OZXB4K OZXB4K	OZXB5 OZXB5/1 OZXB6 OZXB6/1	1SCA022137R2470 1SCA02194R1010 1SCA022137R4920 1SCA022194R1270	3 1 3 1	1 20 1 20	2.22 0.80 3.03 1.00
OT/OTM1000...1600	95...185 95...185 2x(95...185) 2x(95...185) 120...300 120...300 2x(120...300) 2x(120...300) 120...240 120...240	OTS1600_L OTS1600_L OTS1600_L OTS1600_L OTS1600_L OTS1600_L OTS1600_L OTS1600_L OTS1600_L OTS1600_L	OZXB3 OZXB3/1 OZXB4 OZXB4/1 OZXB5 OZXB5/1 OZXB6 OZXB6/1 OZXB7L OZXB7L/1	1SCA022136R8100 1SCA022194R0620 1SCA022137R4760 1SCA022194R0890 1SCA022137R2470 1SCA022194R1010 1SCA022137R4920 1SCA022194R1270 1SCA022185R7130 1SCA022194R1600	3 1 3 1 3 1 3 1 3 1	1 20 1 20 1 20 1 20 1 20	1.28 0.13 1.71 0.60 2.22 0.80 3.03 1.00 1.20 0.39
OT/OTM2000...2500	95...185 95...185 2x(95...185) 2x(95...185) 120...300 120...300 2x(120...300) 2x(120...300) 120...240 120...240	OTS2500_L OTS2500_L OTS2500_L OTS2500_L OTS2500_L OTS2500_L OTS2500_L OTS2500_L OTS2500_L OTS2500_L	OZXB3 OZXB3/1 OZXB4 OZXB4/1 OZXB5 OZXB5/1 OZXB6 OZXB6/1 OZXB7L OZXB7L/1	1SCA022136R8100 1SCA022194R0620 1SCA022137R4760 1SCA022194R0890 1SCA022137R2470 1SCA022194R1010 1SCA022137R4920 1SCA022194R1270 1SCA022185R7130 1SCA022194R1600	3 1 3 1 3 1 3 1 3 1	1 20 1 20 1 20 1 20 1 20	1.28 0.13 1.71 0.6 2.22 0.8 3.03 1 1.2 0.39
OETL3150	95...185 95...185 2x(95...185) 2x(95...185) 120...300 120...300 2x(120...300) 2x(120...300)	OZXB3K OZXB3K OZXB3K OZXB3K OZXB4K OZXB4K OZXB4K OZXB4K	OZXB3 OZXB3/1 OZXB4 OZXB4/1 OZXB5 OZXB5/1 OZXB6 OZXB6/1	1SCA022136R8100 1SCA022194R0620 1SCA022137R4760 1SCA022194R0890 1SCA022137R2470 1SCA022194R1010 1SCA022137R4920 1SCA022194R1270	3 1 3 1 3 1 3 1	1 20 1 20 1 20 1 20	1.28 0.13 1.71 0.60 2.22 0.80 3.03 1.00

• More information on Al/Cu terminal clamps, see the catalogue OZX1A GB.
• Included bolt sets:
OT 160EV...250, OZXE51, M8x25, 6 pcs/package
OT 315...400, OZXE54, M10x30, 6 pcs/package

OT 630...800, OZXE3, M12x40, 6 pcs/package
OT1000...1250, OZXE11, M12x50, 6 pcs/package
OT1600, OZXE14, M12x60, 6 pcs/package
OT2000.2500, OZXE14, M12x60, 12 pcs/package
OETL 3150, OZXE14, M12x60 mm, 12 pcs/package

Connecting accessories

Ordering information



Terminal clamps

Terminal clamp sets for Al- and Cu-cables

Suitable for switches	Cable cross section [mm ²]	Suitable shroud	Type	Order number	Units/ type [pcs]	Delivery batch [pcs]	Weight/ unit [kg]
OZXR type Al/Cu connectors made of stainless steel and copper							
OT160EV...250	25...95	OTS250_L	OZXR95	1SCA115530R1001	3		0.21
OT200...250	95...185	OTS250_L	OZXR185	1SCA115531R1001	3		0.45
OT315...400	2x(95...185)	-	OZXR2X185	1SCA115534R1001	3		0.66
OT315...400	185...300	-	OZXR300	1SCA115533R1001	3		0.87
OT630...800	2x(185...300)	-	OZXR2X300	1SCA115535R1001	3		1.59
OT315...400	95...240	OTS400_L	OZXR240	1SCA115532R1001	3		0.42
OZXP type Al/Cu connectors made of tin plated aluminium profile							
OT160EV...250	6...95	OTS250_L	OZXP95	1SCA115539R1001	3		0.03
OT315...400	35...240	-	OZXP240	1SCA115542R1001	3		0.27
OT630...800	2x(70...240)	OTS800_L	OZXP2X240	1SCA115544R1001	3		1.38

Busbar connections

Suitable for switches	Suitable for clamps	Type	Order number	Units/ type [pcs]	Weight unit [kg]
Busbar spreader kit					
OT160E	OZXB 2	OEZXX6	1SCA022292R6330	3	0.20
OT160E	OZXB 2	OEZXX13	1SCA022299R9720	4	0.30

Busbars for parallel connection

160E ¹⁾	2 x OZXB2_	OZXE21	1SCA022161R8810	3	0.30
--------------------	------------	--------	-----------------	---	------

Busbar connections for OETL 3150

Busbar termination from different directions.

Suitable for switches	Type	Order number	Units/ type [pcs]	Weight unit [kg]
Vertical mounting				
3 pole	OETLZX115	1SCA022117R7770	6	21.0
4 pole	OETLZX115/11	1SCA022126R2110	8	28.0

Vertical- / back- or edgewise mounting

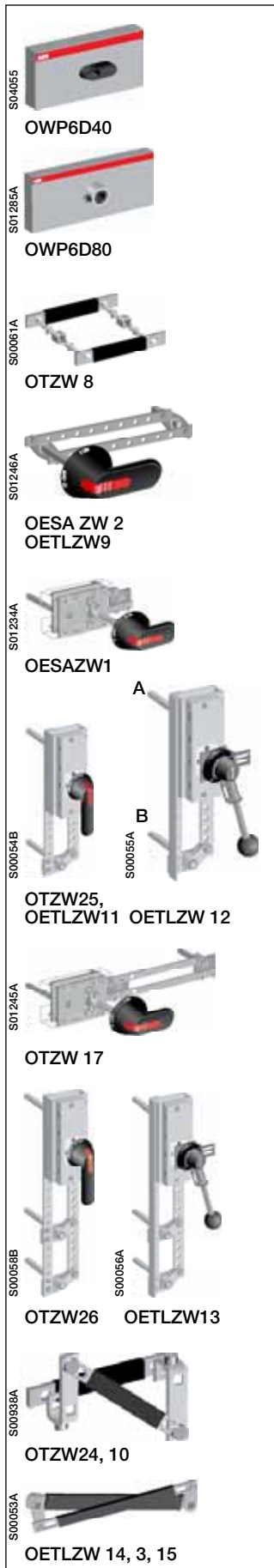
3 pole	OETLZX114	1SCA022117R7510	6	14.1
4 pole	OETLZX114/11	1SCA022126R1990	8	18.8

¹⁾ OT 160E has to be provided with OEZXX6 or 13.
The part number for the fourth pole clamp: OZXB2/1

• More information on Al/Cu terminal clamps, see the catalogue OZX1A GB

Conversion kits

Ordering information



Conversion kits for front operated switch combinations

Suitable for switches	Shaft distance [mm]	Type	Order number	Units/ type [pcs]	Weight/ unit [kg]
-----------------------	---------------------	------	--------------	-------------------	-------------------

6 and 8-pole switch mechanism

Parallel attachment for connecting two 3- or 4-pole switches. The switches work simultaneously. Mounting directly on the top of two switch-disconnectors, snap-on mounting. The switch size is printed on stickers for the different switch sizes. The fourth pole or auxiliary contacts can be mounted on the outer side of the combination.

OT16...40		OWP6D40	1SCA022865R4800	1	0.03
OT63...80		OWP6D80	1SCA022865R5010	1	0.03
OT100...125		OWP6D125	1SCA022865R5100	1	0.03

Attachment levers provided with holes, enabling different shaft distances. The combination switches can be mounted either horizontally or vertically. Two 3 or 4-pole switches needed.

OT16...40	45+(0...12)x15	OTZW8	1SCA022421R7600	1	0.17
OT63...80	60+(0...11)x15				
OT100...125	75+(0...10)x15				
OT160E	45+(0...11)x15	OESAZW2	1SCA022078R1600	1	0.8
OT160EV...250	45+(0...13)x15				
OT315...800	60+(0...19)x20	OETLZW9	1SCA022061R3300	1	1.1

Change-over switch mechanism

Two switches connected with a mechanism operating into I-O-II positions. Two 3 or 4-pole switches needed.

OT16...125	90+(0...10)x15	OESAZW1	1SCA022064R3710	1	0.78
OT160EV...250	210+(0...18)x20	OTZW25	1SCA022778R6920	1	2.8
OT315...400	210+(0...11)x20	OETLZW11	1SCA022078R0030	1	3.0
OT630...800	210+(0...20)x20	OETLZW12	1SCA022078R0200	1	4.6

By-pass switch mechanism

A combination of two switches in parallel with a third switch for change-over operation to by-pass, for example, a breaker for maintenance. The by-pass attachment can be used together with another combination attachment. Three 3 or 4-pole switches needed.

OT 16...125	Between 1 and 2: 90+(0...6)x15 Between 1 and 3: 90+(0...10)x15	OTZW17	1SCA022387R1620	1	0.88
OT160EV...250	Between 1 and 2: 210+(0...9)x20 Between 1 and 3: 250+(0...9)x20	OTZW26	1SCA022778R7060	1	3.3
OT315...800	Between 1 and 2: 210+(0...18)x20 Between 1 and 3: 250+(0...18)x20	OETLZW13	1SCA022078R0460	1	4.0

Mechanical interlock mechanism

Prevents one switch from closing to ON-position, if the other is not in OFF-position. When mounted upside down, prevents one switch from opening to OFF-position, if the other is not in ON-position. (UPS-usage, make-before-break)

Two 3- or 4-pole switches needed

OT 16...125	100	OTZW24	1SCA022639R5610	1	0.08
-------------	-----	--------	-----------------	---	------

Two 3- or 4-pole switches needed

OT 160...250	190	OTZW10	1SCA022431R5280	1	0.40
--------------	-----	--------	-----------------	---	------

Two 3 or 4-pole switches needed

OT315...400	250	OETLZW14	1SCA022077R3410	1	0.70
OT315...800	300	OETLZW3	1SCA022049R0380	1	0.80
OT315...2500 and OETL3150	500	OETLZW15	1SCA022081R9340	1	1.24

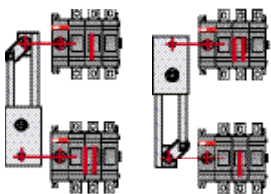
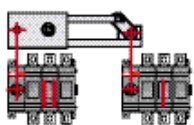
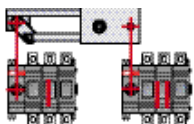
See the table of the handles and shafts included in the conversion kits on next page.

Conversion kits

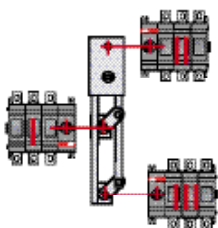
Ordering information

The shafts and handles for conversion kits

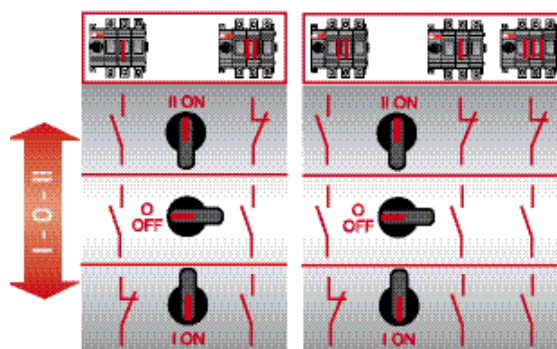
Conversion kit type	To be ordered separately		Included in conversion kit delivery		The standard handle or shaft of one of the combined switches can be used	
	Shaft	Handle	Shaft	Handle	Shaft	Handle
6 and 8-pole switches						
OWP6D40	x (shaft dia 6 mm)	OHBS1A_	-	-	-	-
OWP6D80	x (shaft dia 6 mm)	OHBS1A_	-	-	-	-
OWP6D125	x (shaft dia 6 mm)	OHBS1A_	-	-	-	-
OWP6D40	x (shaft dia 6 mm)	OHB45J6	-	-	-	-
OWP6D80	x (shaft dia 6 mm)	OHB45J6	-	-	-	-
OWP6D125	x (shaft dia 6 mm)	OHB45J6	-	-	-	-
OESAZW2	-	-	x (2 pcs)	OHB145J12	-	-
OETLZW9	-	-	-	-	x	x
OTZW8	x	x	-	-	-	-
Change-over switches						
OESAZW1	-	-	x (2 pcs)	OHB80J6E011	-	-
OTZW25	-	-	x (2 pcs)	OHB95J12E011	-	-
OETLZW11	-	-	x (2 pcs)	OHB145J12E011	-	-
OETLZW12	-	-	x (2 pcs)	YASDA21 (metallic)	-	-
By-pass switches						
OTZW17	-	-	x (3 pcs)	OHB80J6E011	-	-
OTZW26	-	-	x (3 pcs)	OHB95J12E011	-	-
OETLZW13	-	-	x (3 pcs)	YASDA 6	-	-
Mechanical interlock						
OTZW24	-	-	-	-	x	x
OTZW10	-	-	-	-	x	x
OETLZW14	-	-	-	-	x	x
OETLZW3	-	-	-	-	x	x
OETLZW15	-	-	-	-	x	x



Change-over switches, 6- and 8 pole switches

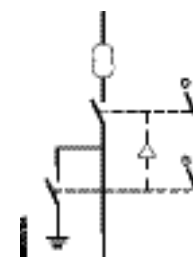


By-pass switches



Change-over switches

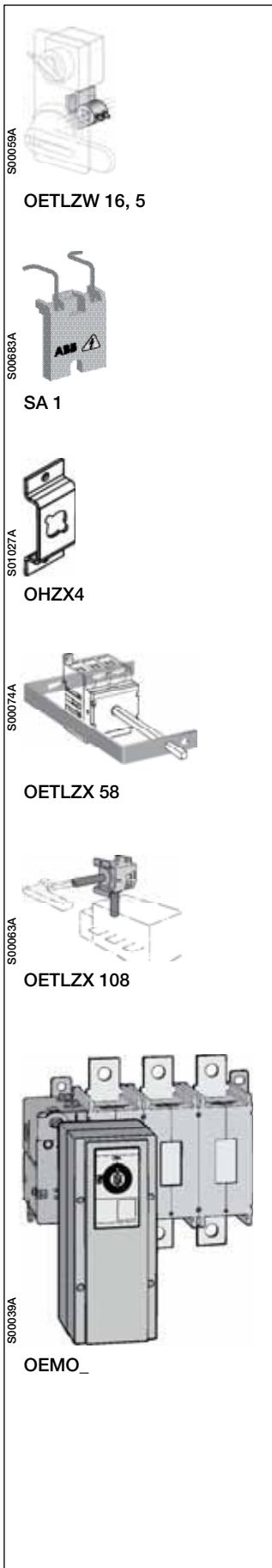
By-pass switches



Mechanical interlock

Locking and mounting accessories and motor operators

Ordering information



Locking accessories

Cam attachment for Castell, Lowe & Fletcher and Ronis interlock

Cam attachment for Castell, Lowe & Fletcher or Ronis interlock. Lock, handle or shaft not included. Mounting to OXP-shaft, works together with OH-door handle and a shaft. This accessory is mounted to the operating shaft of the switch and therefore only compatible with external handles.

Suitable for switches	Type	Order number	Units/ type [pcs]	Weight/ unit [kg]
OT16...250	OETLZW16	1SCA022093R2070	1	0.17
OT315...2500, OETL3150	OETLZW5	1SCA022052R3900	1	0.14

Padlocking adapter

For a padlock with max. 3.5 mm bail.

OT63...160E	SA1	GJF1 101 903 R0001	1	0.01
-------------	-----	--------------------	---	------

Door interlock bracket

Prevents defeating the door interlocking of handles.

For pistol type handles	Type	Order number	Units/ type [pcs]	Weight/ unit [kg]
OH_45...275	OHZX4	1SCA022467R2470	1	0.03

Mounting accessories

Suitable for switches	Type	Order number	Units/ type [pcs]	Weight/ unit [kg]
-----------------------	------	--------------	-------------------------	-------------------------

Shaft support for long shafts

OT16...125	OETLZX58	1SCA022068R8220	1	0.10
------------	----------	-----------------	---	------

Handle support bracket for direct mounting on the switch mechanism²⁾

OETL3150	OETLZX71 ¹⁾	1SCA022068R2700	1	0.40
----------	------------------------	-----------------	---	------

90° angle kit, a front operated switch can be converted to a side operated switch²⁾

OETL3150	OETLZX108	1SCA022087R8430	1	2.10
----------	-----------	-----------------	---	------

Motor operator

For remote control of the switch. The standard delivery includes complete control circuit; short cable and spare handle.

Suitable for switches	Voltage	Type	Order number	Units/ type [pcs]	Weight/ unit [kg]
OETL3150	110 VAC	OEMO004/110VAC	1SCA022182R0300	1	6.3
	230 VAC	OEMO004/230VAC	1SCA022196R9010	1	6.3

Function I-0 (ON-OFF)

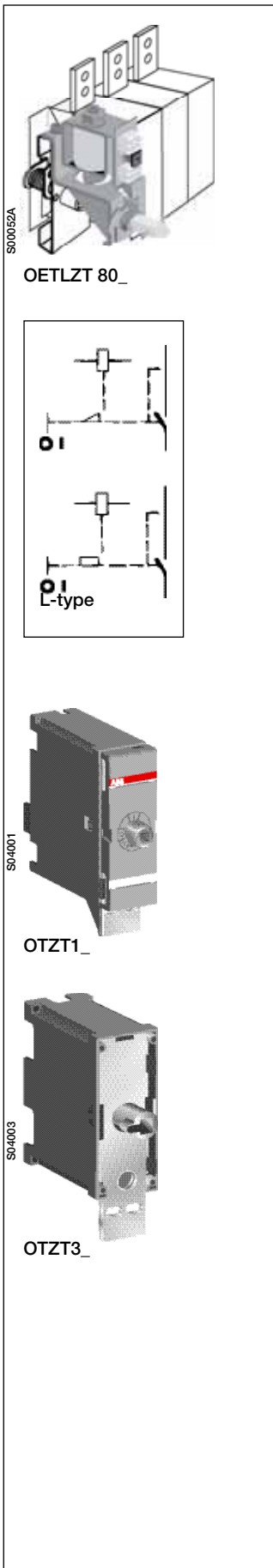
OETL3150	110 VAC	OEMO004/110VAC	1SCA022182R0300	1	6.3
	230 VAC	OEMO004/230VAC	1SCA022196R9010	1	6.3

¹⁾ With metallic handle

²⁾ Mounting: OETL3150 on mounting plate, key hole fixing.
The shaft delivered with the switch can be used.

Interlocking

Ordering information



Electrical interlock

Closed circuit principle, for interlocking the switch movement. When the coil circuit is dead, A-types can not be switched to ON-position and L-types to ON- or OFF-position. Aux. contacts are mountable on the top of the mechanism.

Coil voltage	Type	Order number	Units/ type [pcs]	Weight/ unit [kg]
--------------	------	--------------	-------------------------	-------------------------

For OETL 3150

OETLZT 80 _ / _ U_n /R: 110VAC/1000Ω, 230VAC/3900Ω, 24VDC/48Ω, 48VDC/190Ω, 60VDC/300Ω, 110VDC/1000Ω, 220VDC/3900Ω, U=0.7...1.1*U_n, P_{DC}=15 W, P_{AC} = 30VA.

A - types

24 V DC	OETLZT80A24DC	1SCA022081R1440	1	1.10
48 V DC	OETLZT80A48DC	1SCA022081R1010	1	1.10
60 V DC	OETLZT80A60DC	1SCA022081R0630	1	1.10
110 V DC	OETLZT80A110DC	1SCA022081R0210	1	1.10
220 V DC	OETLZT80A220DC	1SCA022080R9890	1	1.10
110V AC	OETLZT80A110AC	1SCA022080R9460	1	1.10
220 V AC	OETLZT80A220AC	1SCA022079R9050	1	1.10
240 V AC	OETLZT80A240AC	1SCA022384R3330	1	1.10

L - types

24 V DC	OETLZT80L24DC	1SCA022081R1280	1	1.10
48 V DC	OETLZT80L48DC	1SCA022081R0800	1	1.10
60 V DC	OETLZT80L60DC	1SCA022081R0470	1	1.10
110 V DC	OETLZT80L110DC	1SCA022081R0040	1	1.10
220 V DC	OETLZT80L220DC	1SCA022080R9620	1	1.10
110 V AC	OETLZT80L110AC	1SCA022080R9200	1	1.10
220 V AC	OETLZT80L220AC	1SCA022079R9640	1	1.10
230 V AC	OETLZT80L230AC	1SCA022375R0240	1	1.10
240 V AC	OETLZT80L240AC	1SCA022496R2040	1	1.10

Mechanism interlock kits & Electrical interlocks

OT200...2500 switch-disconnectors can be interlocked in the OFF position using padlocks and by using a mechanical interlock kit mounted on the mechanism. The diameter of the lock bail can be max dia. 8 mm. The coil has to be ordered separately, see next page.

Interlocking in the OFF position

OT160EV... 250_	OTZT1A	1SCA106522R1001	1	0.21
OT315... 400_	OTZT2A	1SCA106523R1001	1	0.57
OT600U, OT630 ... 800E	OTZT3A	1SCA106525R1001	1	0.75
OT800U, OT1000 ... 2500_	OTZT4A	1SCA106526R1001	1	1.15

Interlocking in the OFF & ON positions

OT160EV ... 250_	OTZT1L	1SCA106527R1001	1	0.21
OT315 ... 400_	OTZT2L	1SCA106529R1001	1	0.57
OT600U, OT630 ... 800E	OTZT3L	1SCA106530R1001	1	0.75
OT800U, OT1000 ... 2500_	OTZT4L	1SCA106531R1001	1	1.15

Interlocking

Ordering information

Mechanical interlock between OT earthing switch and OT1000...2500 switch-disconnector or E-max / T7 breaker

The operating of both the earthing switch and the switch-disconnector / breaker into ON-position at the same time is mechanically prevented by using two cables between the earthing switch and main switch or breaker.
Cable length 1370 mm

Suitable for switches	Description	Type	Order number	Delivery batch	Weight /unit [kg]
	Mechanical interlock kit	OTZL4	1SCA116554R1001	1	0.50
	Cable set, including 2 pcs 1370 mm long cables	-	1SDA062127R1	1	0.20
	Electrical interlock kit in OFF position	OTZM4A	1SCA118510R1001	1	0.85
	Electrical interlock kit in OFF and $\underline{\underline{0}}$ position	OTZM4L	1SCA118511R1001	1	0.85

Coils for OTZT_ and OTZM_ electrical interlocks

By installing a coil inside the housing of the interlock kit the switch can be interlocked electrically in the OFF position or both in the OFF and ON positions. The electrical interlock works using the "closed circuit principle", meaning that when the control voltage is not connected to the coil, the switches provided with A-type interlocks cannot be turned to the ON position and switches with L-type interlocks cannot be turned to the ON or OFF positions.

AC coils

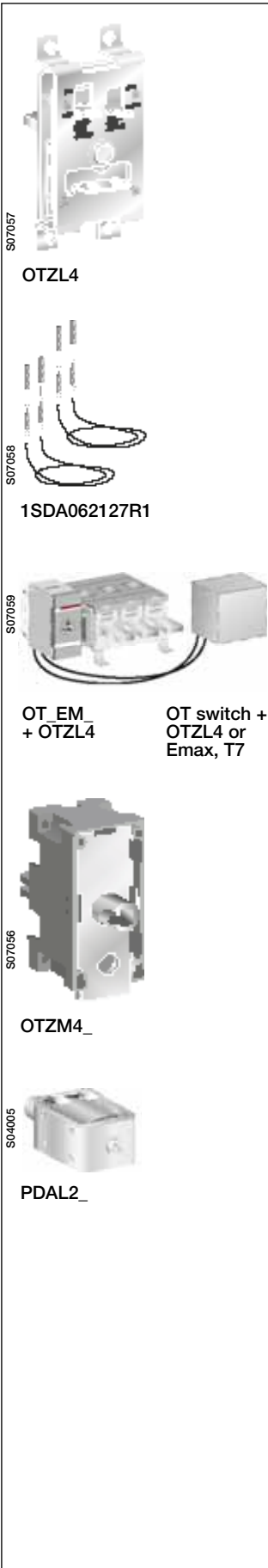
24 VAC, 60Hz	PDAL2/24AC60Hz	1SCA111350R1001	1	0.15
110 VAC, 50Hz	PDAL2/110AC50Hz	1SCA106543R1001	1	0.15
110 VAC, 60Hz	PDAL2/110AC60Hz	1SCA107100R1001	1	0.15
120 VAC, 60 Hz	PDAL2/120AC60Hz	1SCA111353R1001	1	0.15
208 VAC, 60Hz	PDAL2/208AC60Hz	1SCA107101R1001	1	0.15
230 VAC, 50Hz	PDAL2/230AC50Hz	1SCA107102R1001	1	0.15
240 VAC, 60Hz	PDAL2/240AC60Hz	1SCA111356R1001	1	0.15

DC coils

24 VDC	PDAL2/24DC	1SCA106542R1001	1	0.15
48 VDC	PDAL2/48DC	1SCA107103R1001	1	0.15
60 VDC	PDAL2/60DC	1SCA107104R1001	1	0.15
110 VDC	PDAL2/110DC	1SCA107105R1001	1	0.15
125 VDC	PDAL2/125DC	1SCA111338R1001	1	0.15
220 VDC	PDAL2/220DC	1SCA112503R1001	1	0.15

Technical data for the coil

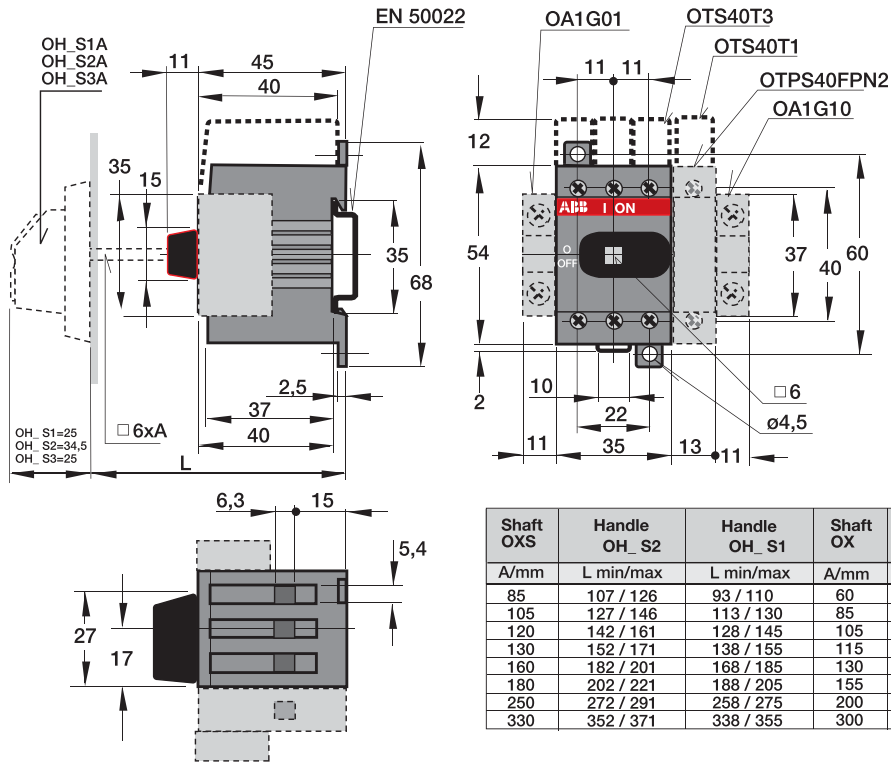
Operating voltage		$U=0.7...1.1xU_n$
Operating ambient temperature		-40°C...+65°C
Power consumption	with AC	6.5W
	with DC	9 VA



Front operated switch-disconnectors, base mounting

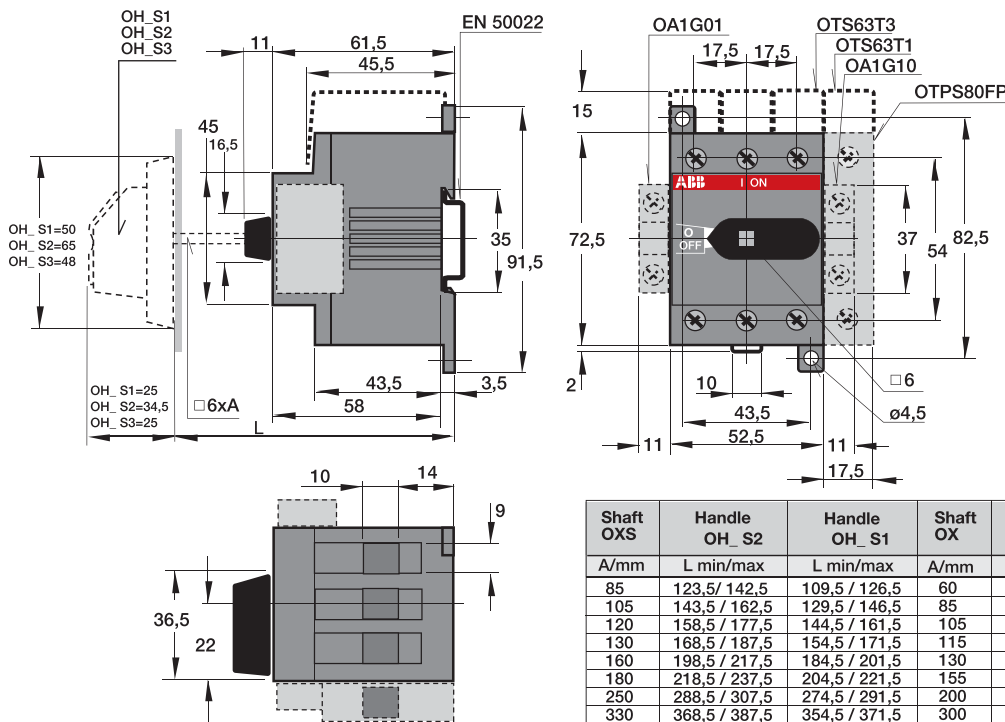
Dimension drawings

OT 16...40F3, _F4



M00157/OT16-40F3_F4 C

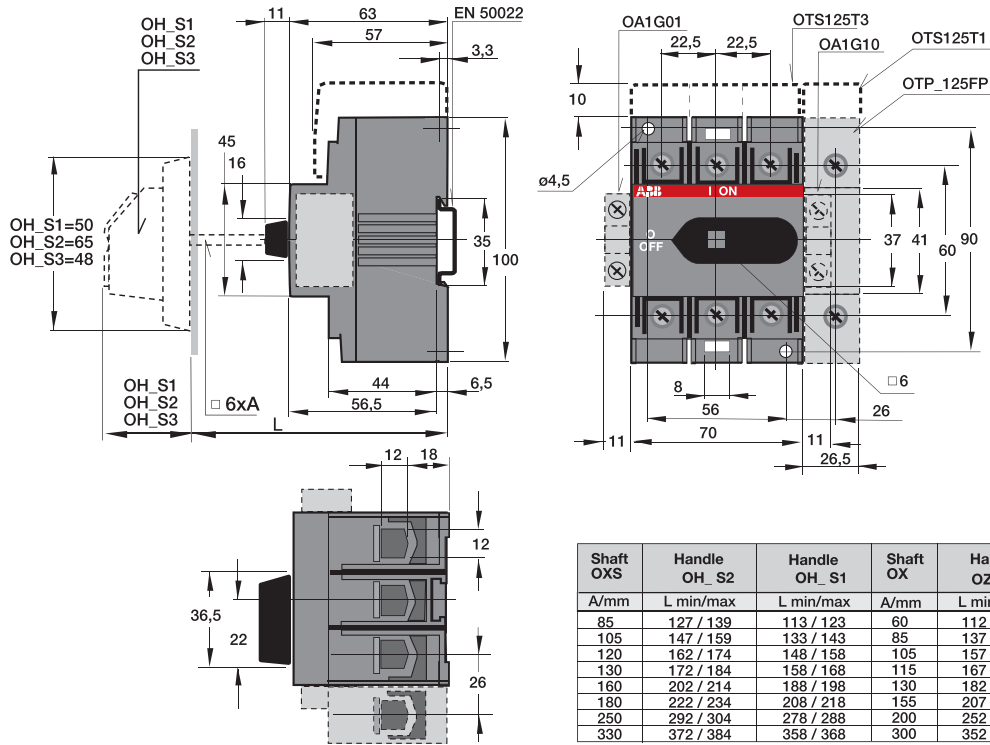
OT 63...80F3, _F4



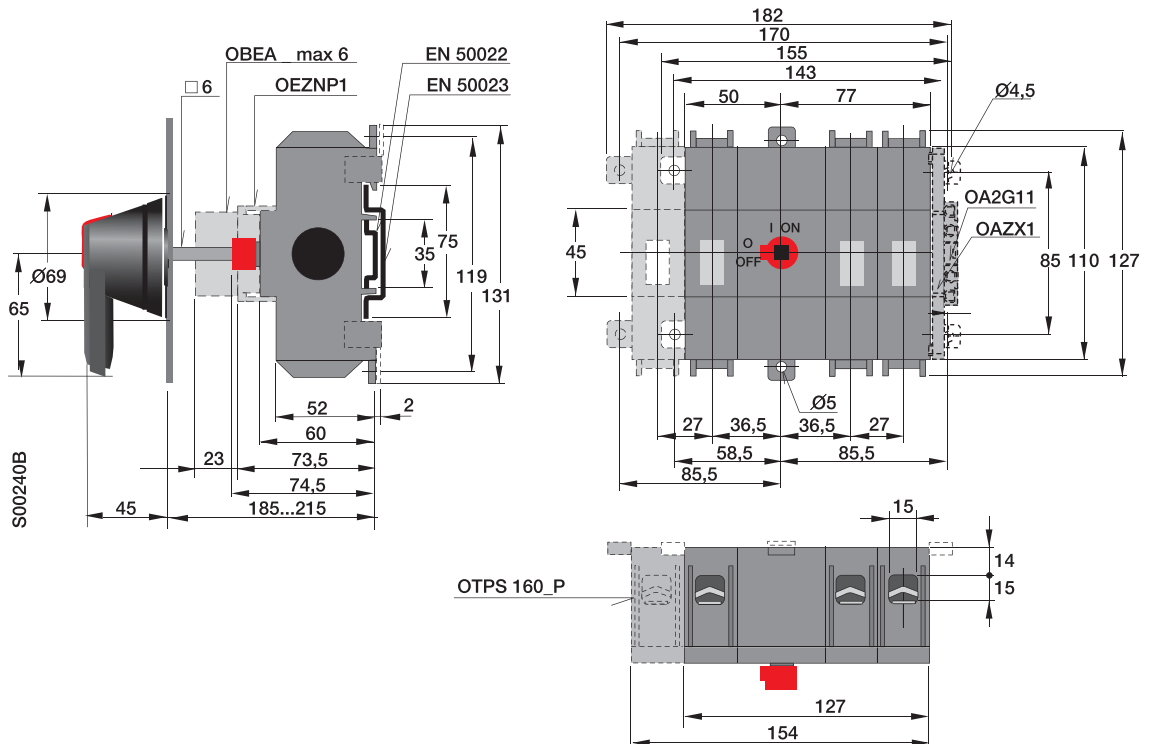
M00161/OT63-80F3_F4 C

Front operated switch-disconnectors, base mounting Dimension drawings

OT 30, 60, 100, 125F3, _F4



OT 160E3, -4

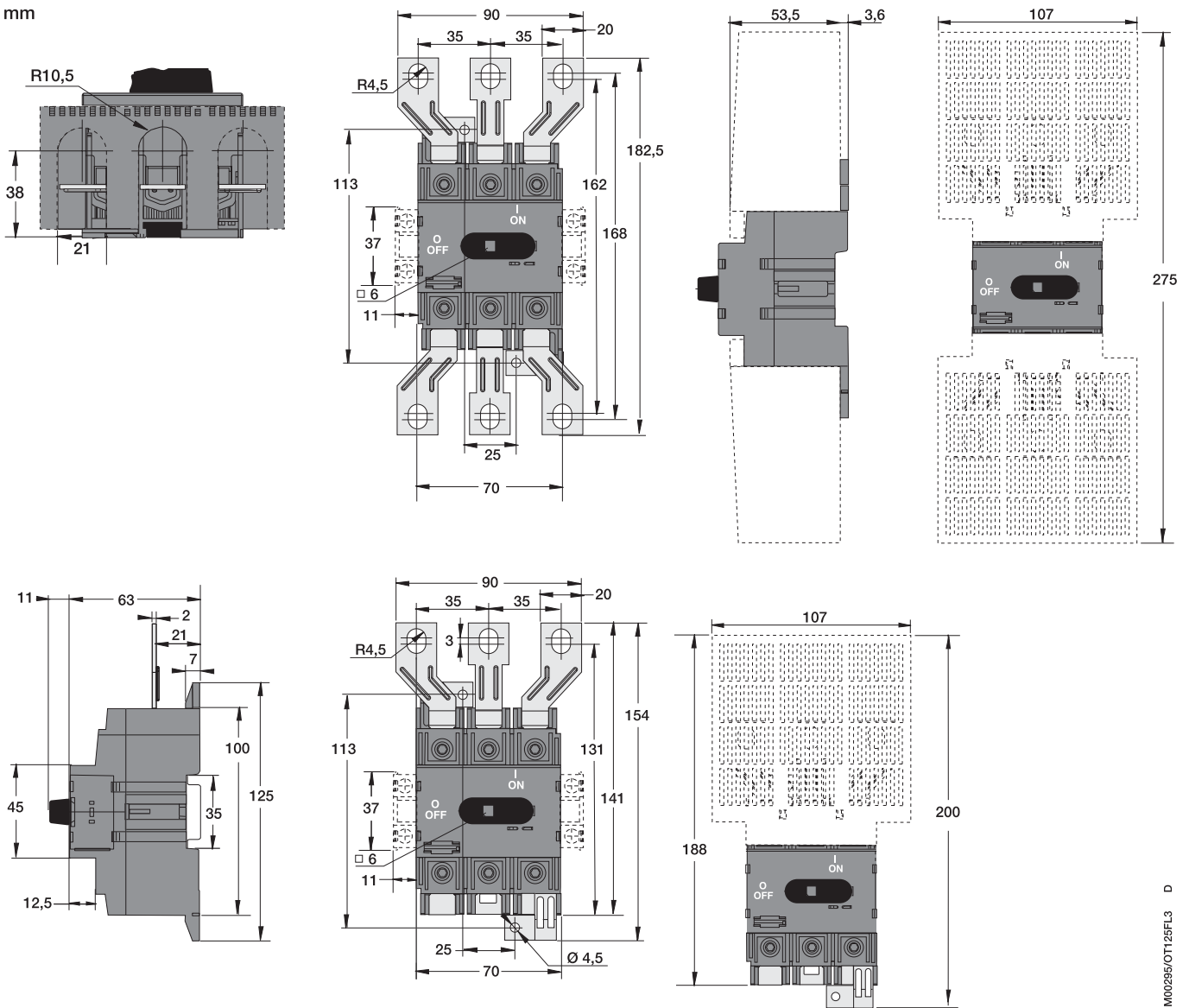


Front operated switch-disconnectors, base mounting

Dimension drawings

OT 125FL3 and OT 125FLA3

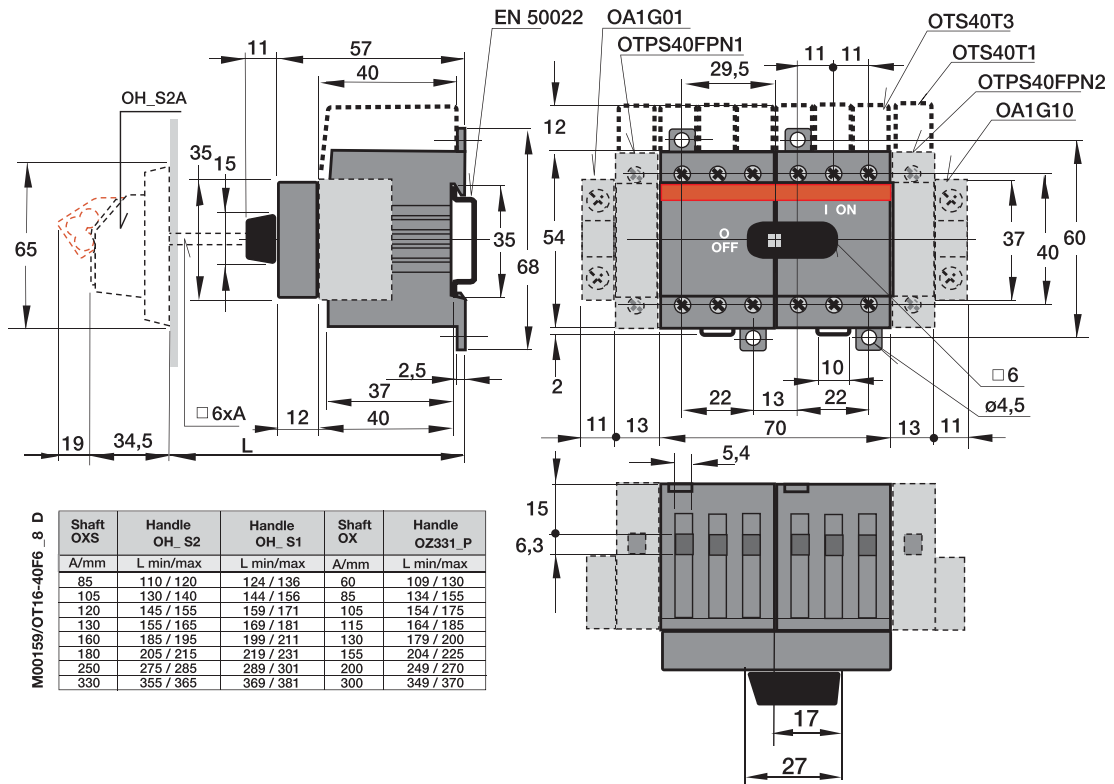
mm



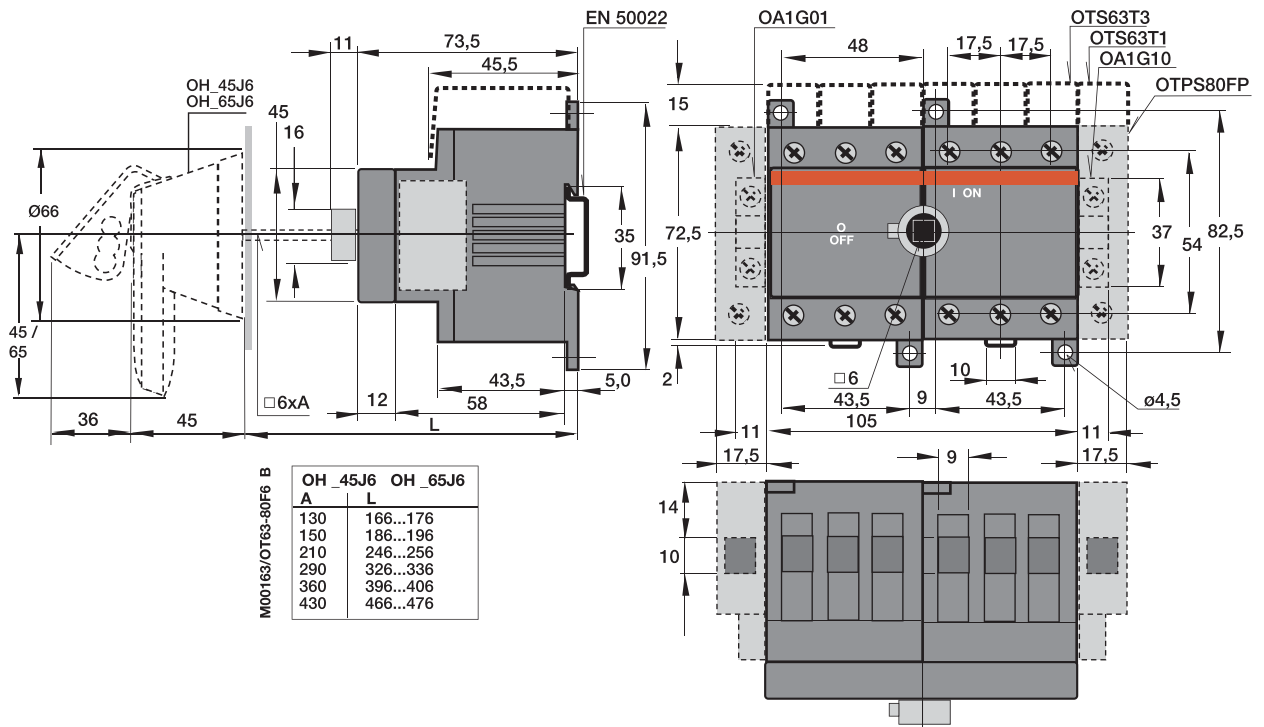
M00295/OT125FL3 D

Front operated switch-disconnectors, base mounting Dimension drawings

OT 16...40F6, _F8

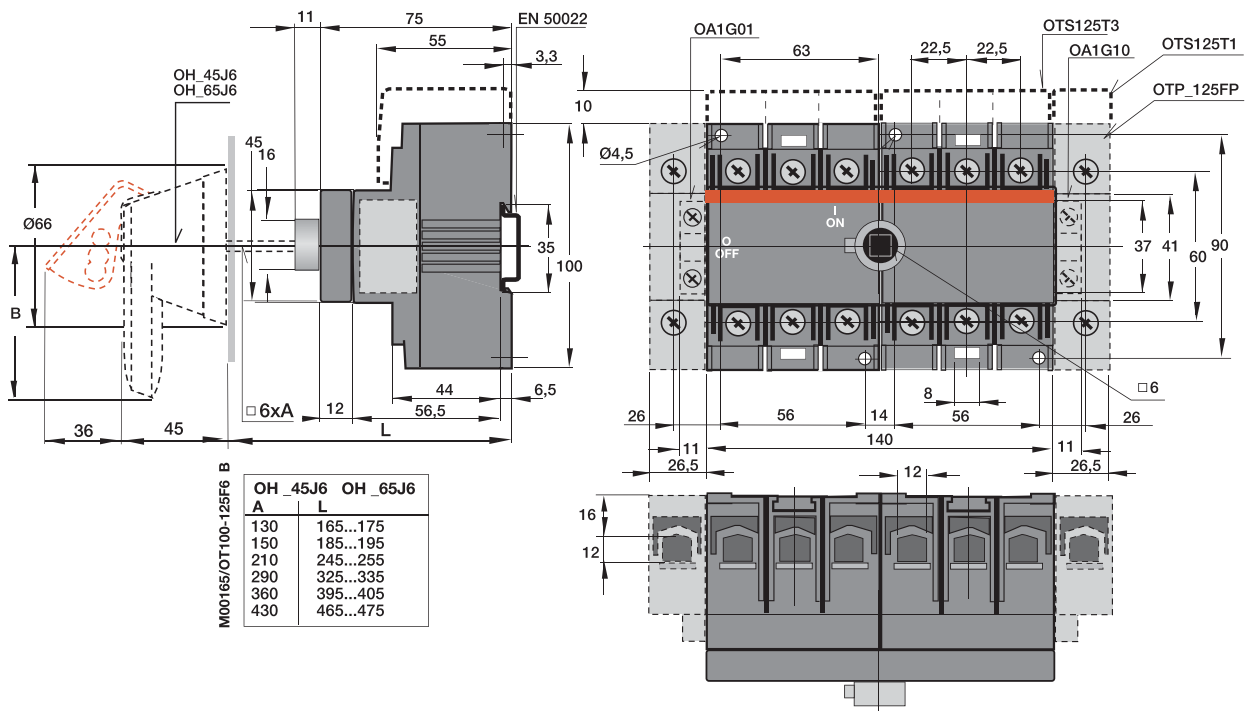


OT 63...80F6, _F8

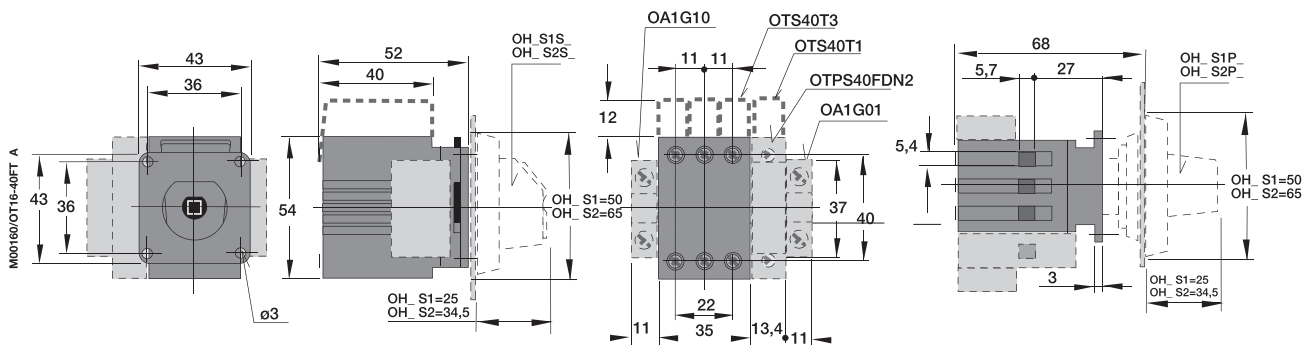


Front operated switch-disconnectors, base/door mounting Dimension drawings

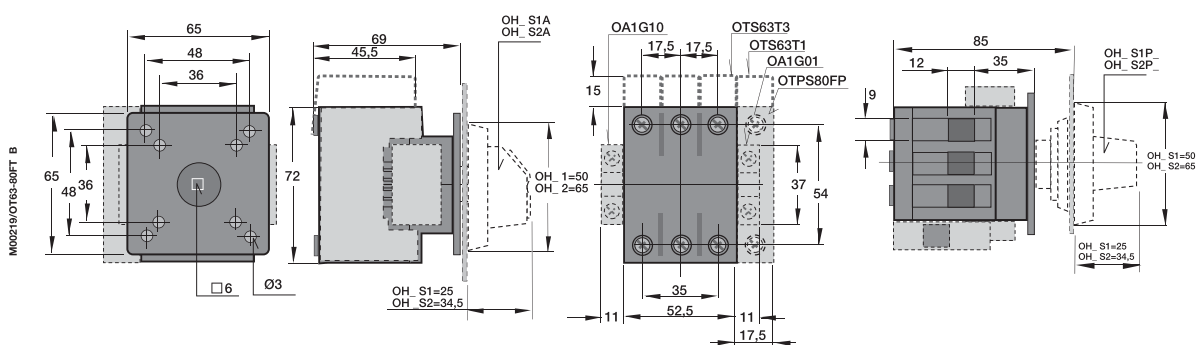
OT 100...125F6, _F8



OT 16...40FT3, _FT4



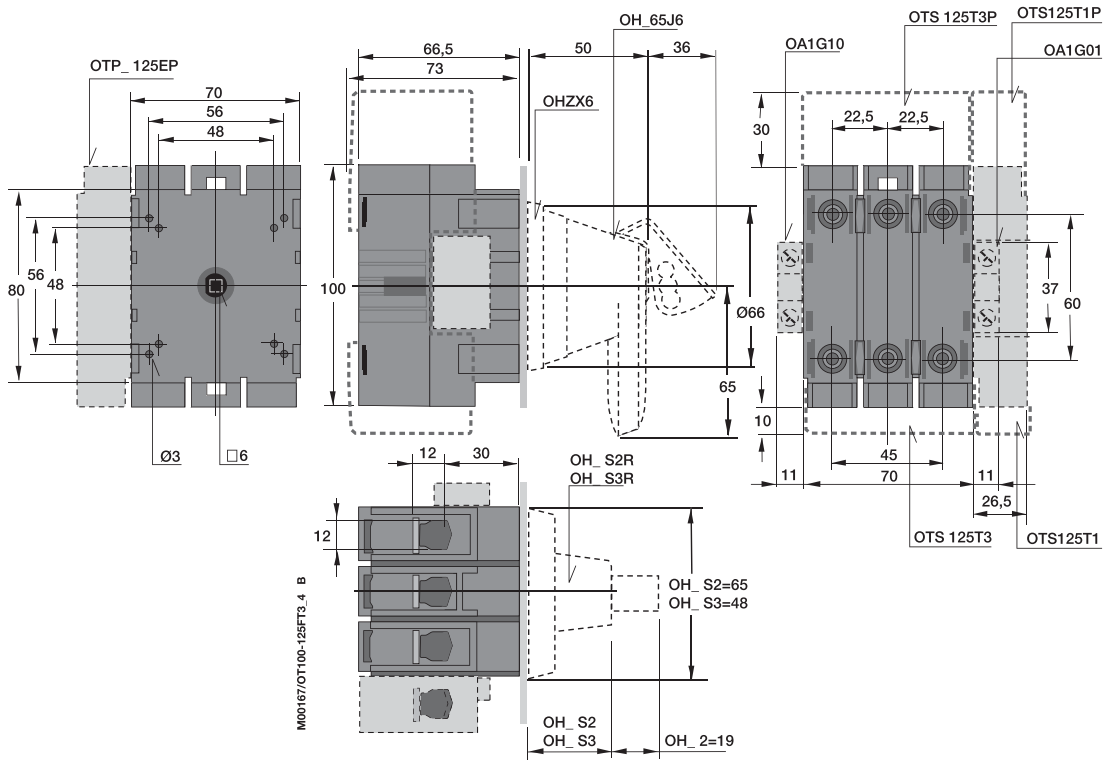
OT 63...80FT3, _FT4



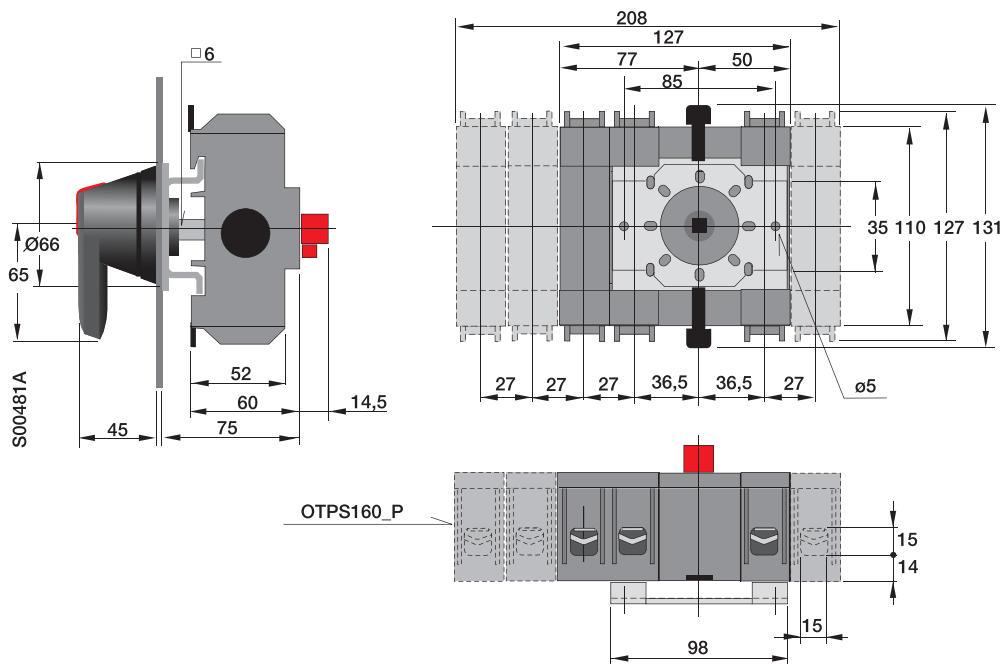
Front operated switch-disconnector, door mounting

Dimension drawings

OT 100...125FT3, _FT4



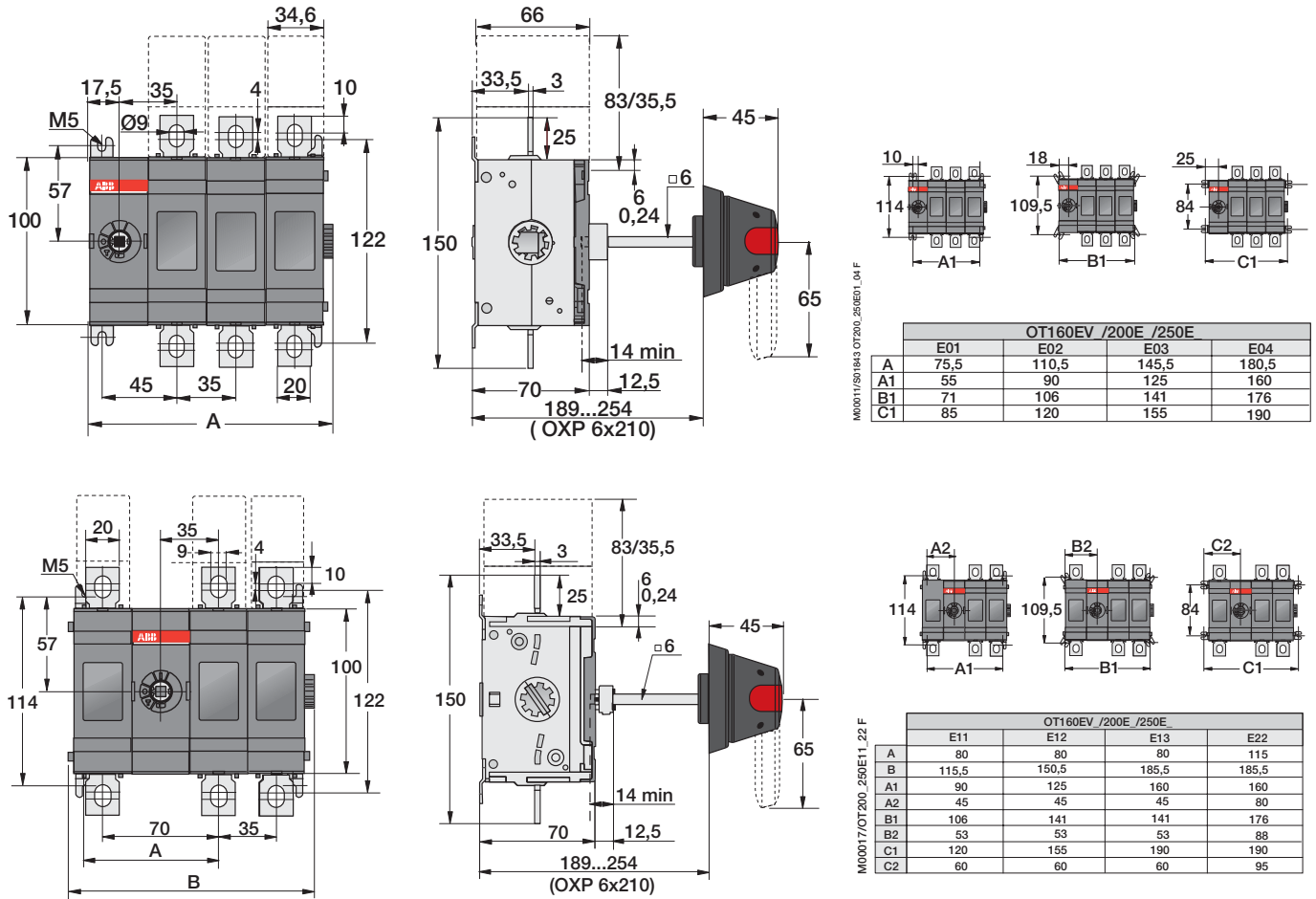
OT 160ET_



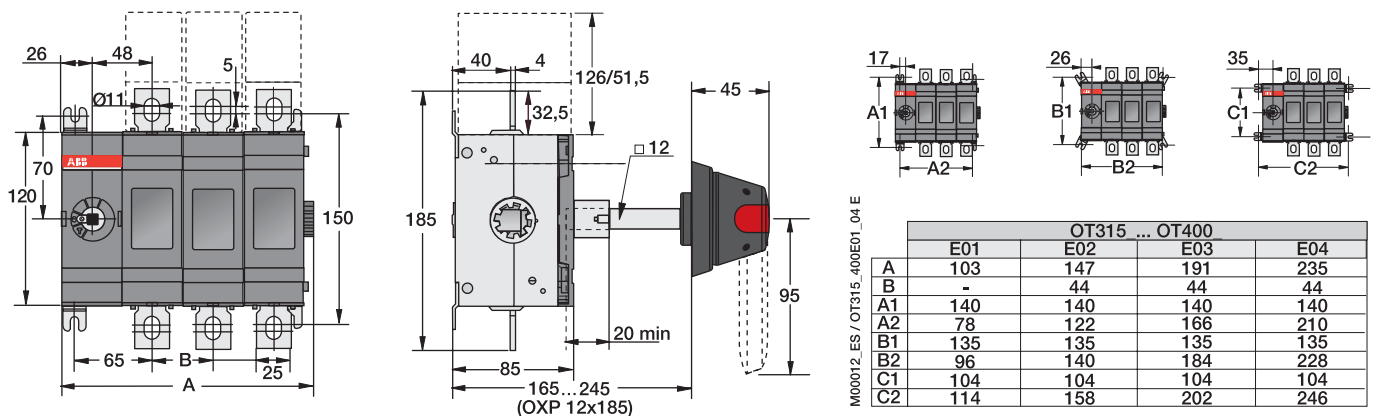
Front operated switch-disconnectors, base mounting

Dimension drawings

OT 160EV_P, OT 200_P and OT 250_P



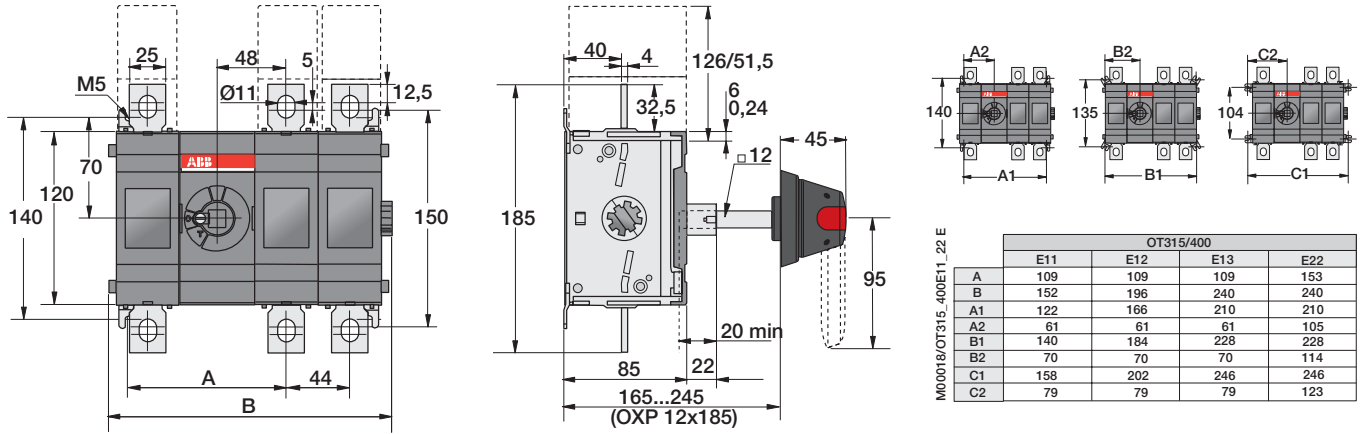
OT 315_P and OT 400_P



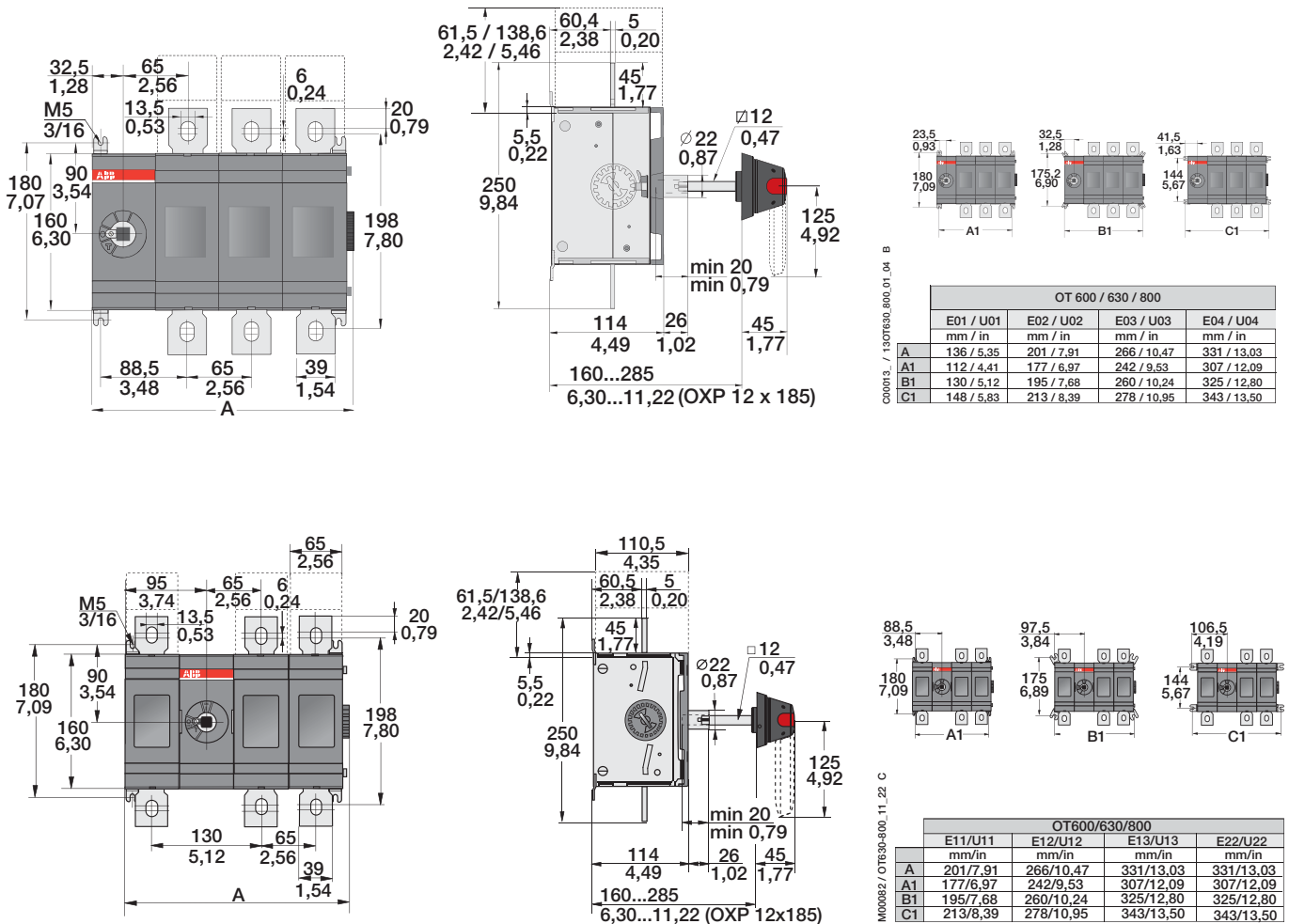
Front operated switch-disconnectors, base mounting

Dimension drawings

OT 315_P and 400_P



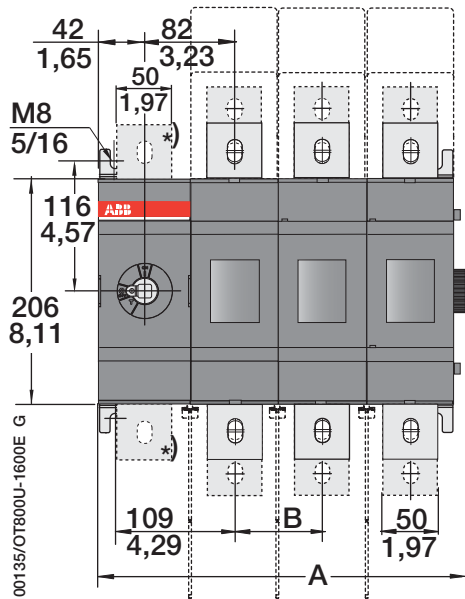
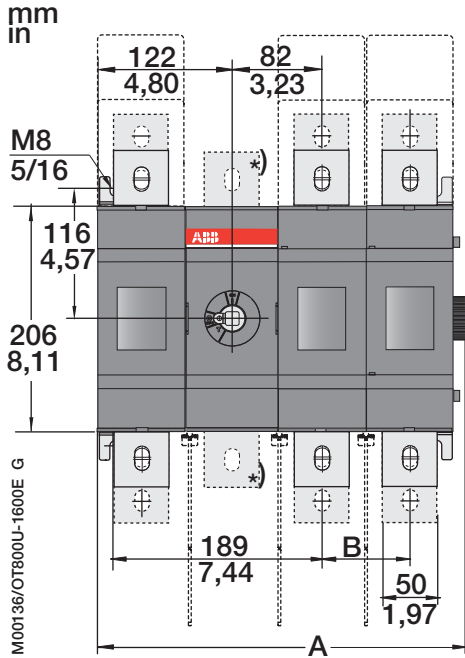
OT 630_P and OT 800_P



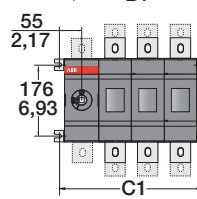
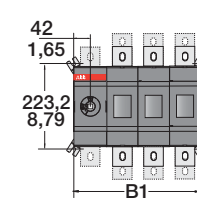
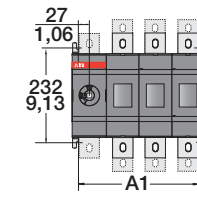
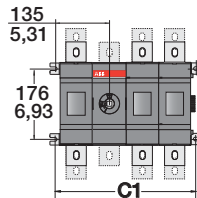
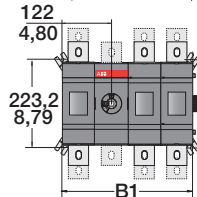
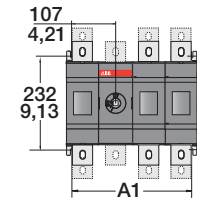
Front operated switch-disconnectors, base mounting

Dimension drawings

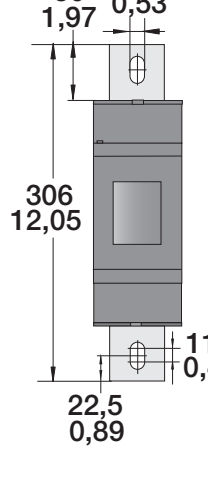
OT 1000_P, OT 1250_P, OT 1600_P and OT 800U_P, OT 1200U_P



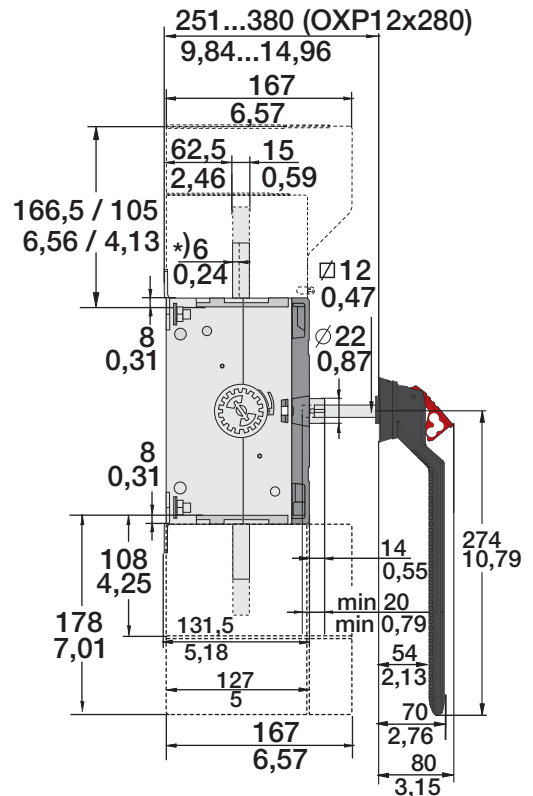
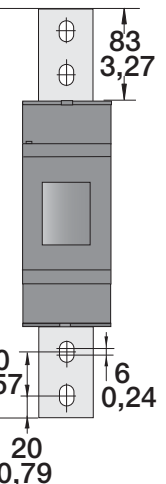
*) N3 types



OT1000-1250E
OT1000-1250X



OT1600E
OT1600X
OT800U
OT1200U



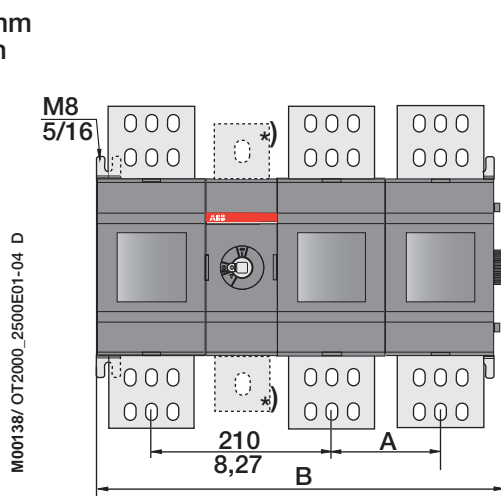
		OT 1000/ 1250/ 1600E OT 800/ 1200U											
		01	02	03	04	11	12	13	22	03W4	04W4	03W8	04W8
A	mm	174,50	254,50	334,50	414,50	254,50	334,50	414,50	414,50	454,50	594,50	544,50	729,50
	in	6,87	10,02	13,17	16,32	10,02	13,17	16,32	16,32	17,89	23,41	21,44	28,72
B	mm		80	80	80		80	80	80	140	140	185	185
	in		3,15	3,15	3,15		3,15	3,15	3,15	5,51	5,51	7,28	7,28
A1	mm	134	214	294	374	214	294	374	374	414	554	504	689
	in	5,28	8,43	11,57	14,72	8,43	11,57	14,72	14,72	16,30	21,81	19,84	27,13
B1	mm	164	244	324	404	244	324	404	404	444	584	534	719
	in	6,46	9,61	12,76	15,91	9,61	12,76	15,91	15,91	17,48	22,99	21,02	28,31
C1	mm	190	270	350	430	270	350	430	430	470	610	560	745
	in	7,48	10,63	13,78	16,93	10,63	13,78	16,93	16,93	18,50	24,02	22,05	29,33

Front operated switch-disconnectors, base mounting

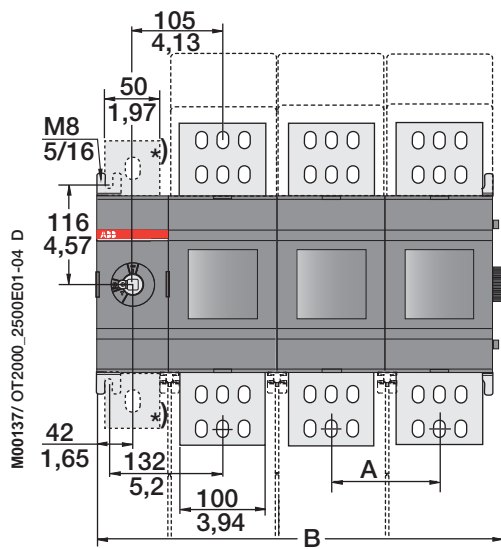
Dimension drawings

OT 2000_P and OT 2500_P

mm
in

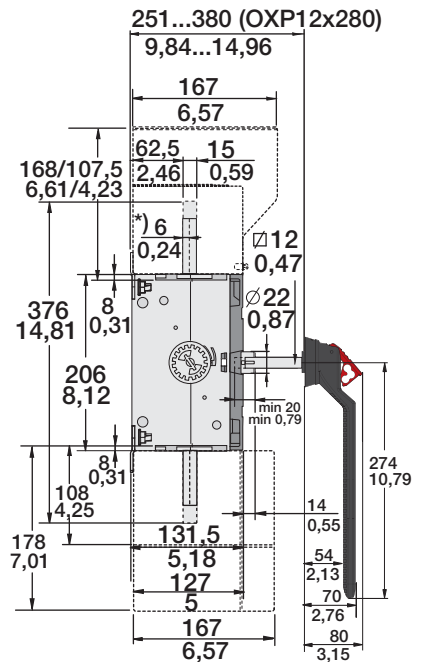
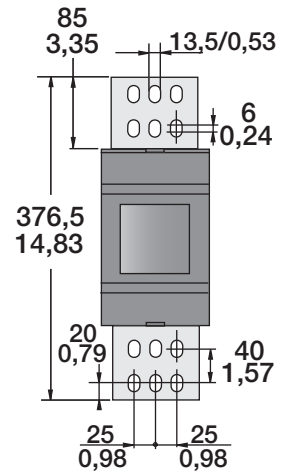
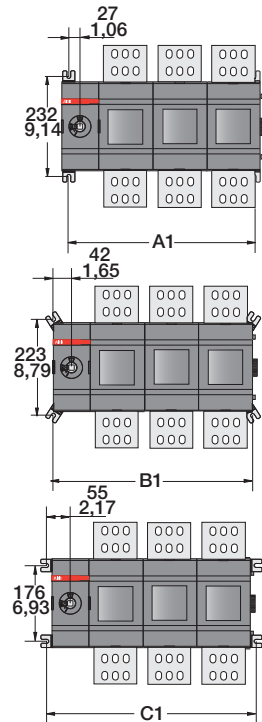
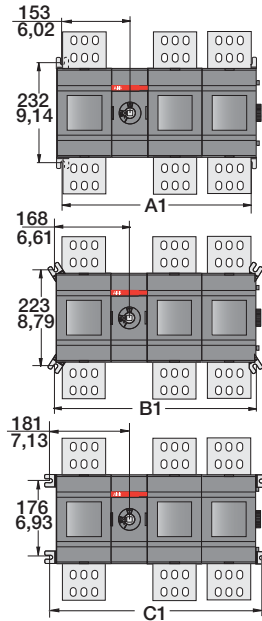


M00138/ OT2000_2500E01-04 D



M00137/ OT2000_2500E01-04 D

*) N3 types

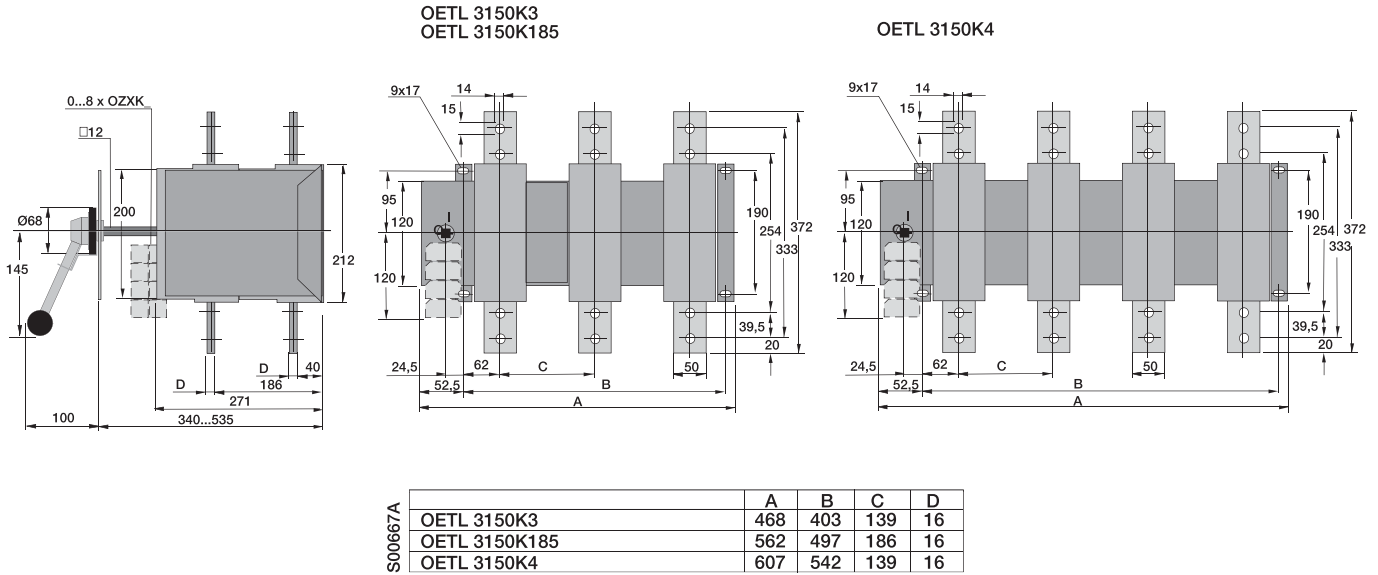


		OT 2000/ 2500E_											
		01	02	03	04	11	12	13	22	03W4	04W4	03W8	04W8
A	mm		126	126	126		126	126	126	140	140	185	185
	in		4,96	4,96	4,96		4,96	4,96	4,96	5,51	5,51	7,28	7,28
B	mm	220,5	346,5	472,5	598,5	346,5	472,5	598,5	598,5	500,5	640,5	590,5	775,5
	in	8,68	13,64	18,60	23,56	13,64	18,60	23,56	23,56	19,70	25,22	23,25	30,53
A1	mm	180	306	432	558	306	432	558	558	460	600	550	735
	in	7,09	12,05	17,01	21,97	12,05	17,01	21,97	21,97	18,11	23,62	21,65	28,94
B1	mm	210	336	462	588	336	462	588	588	490	630	580	765
	in	8,27	13,23	18,19	23,15	13,23	18,19	23,15	23,15	19,29	24,80	22,83	30,12
C1	mm	236	362	488	614	362	488	614	614	516	656	606	791
	in	9,29	14,25	19,21	24,17	14,25	19,21	24,17	24,17	20,31	25,83	23,86	31,14

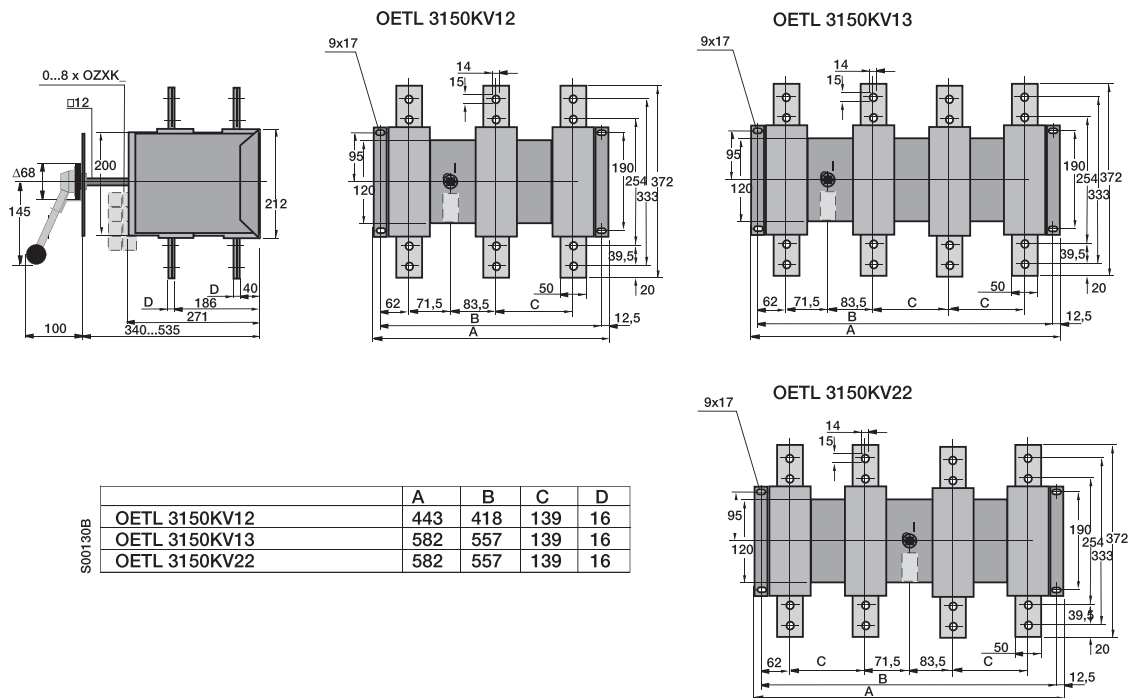
Front operated switch-disconnectors, base mounting

Dimension drawings

OETL 3150 K_



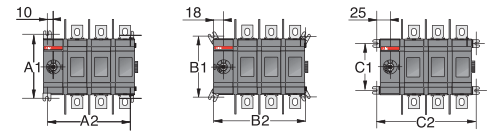
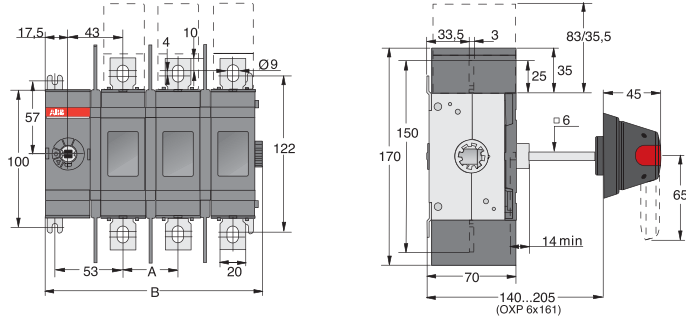
OETL 3150 KV_



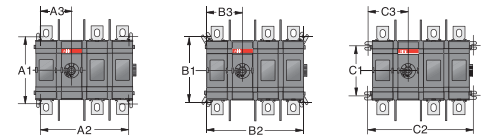
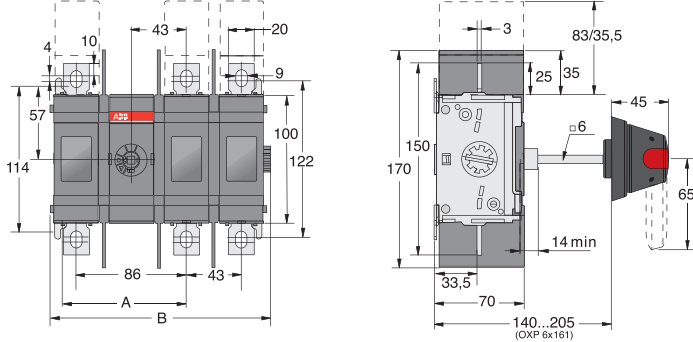
Front operated switch-disconnectors, base mounting

Dimension drawings

OT 160EV_WP, OT 200_WP and OT 250_WP

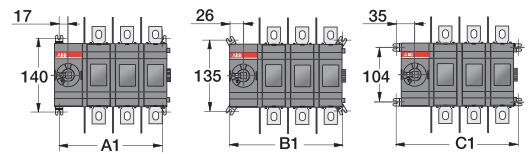
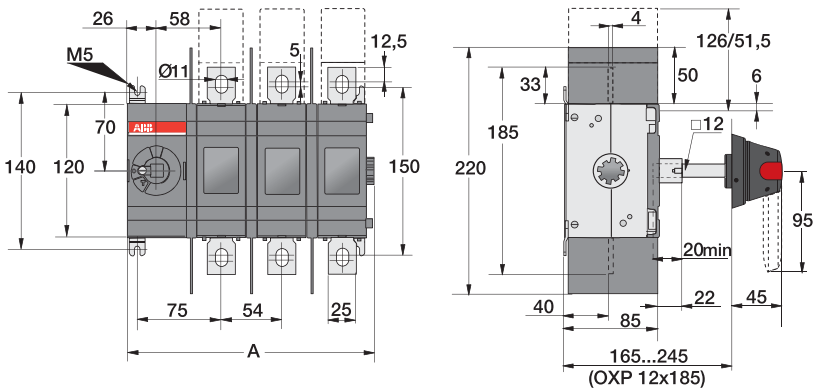


M00073/OT200E01_04W A				
OT160EV /200E /250E				
	E01W	E02W	E03W	E04W
	mm	mm	mm	mm
A	-	43	43	43
B	83,5	126,5	169,5	212,5
A1	114	114	114	114
A2	63	106	149	192
B1	109,5	109,5	109,5	109,5
B2	79	122	165	208
C1	84	84	84	84
C2	93	136	179	222



M00074/OT200E11_22W A				
OT160EV /200E /250E				
	mm	mm	mm	mm
A	96	96	96	139
B	131,5	174,5	217,5	217,5
A1	114	114	114	114
A2	106	149	192	192
A3	53	53	53	96
B1	109,5	109,5	109,5	109,5
B2	122	165	208	208
B3	61	61	61	104
C1	84	84	84	84
C2	136	179	222	222
C3	68	68	68	111

OT 315_WP and OT 400_WP



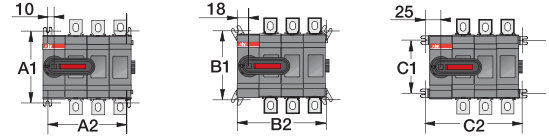
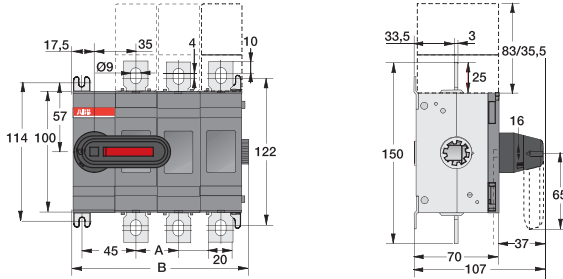
M00019/OT400U/E01_04W/ES G				
OT315/400				
	E01W	E02W	E03W	E04W
	mm	mm	mm	mm
A	113	167	221	275
A1	88	142	196	250
B1	106	160	214	268
C1	124	178	232	286

OT 1000_W_P..OT 2000_W_P, see pages 58 and 59

Front operated switch-disconnectors, base mounting

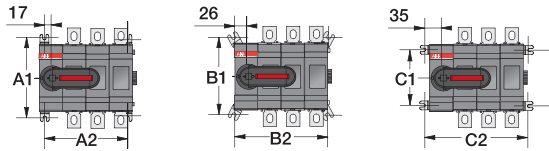
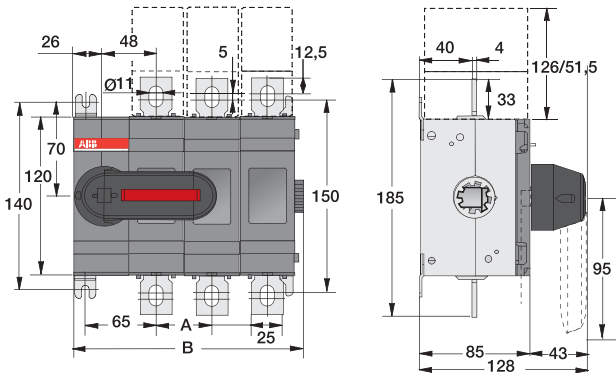
Dimension drawings

OT 160EV_K, OT 200_K and OT 250_K



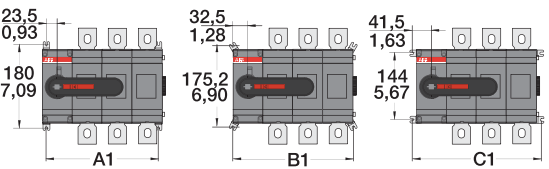
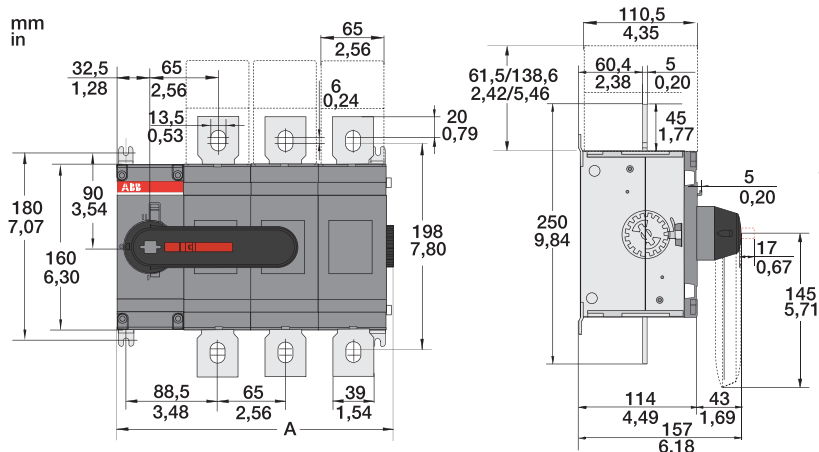
OT160EV_/200E_/250E_				
	E01K	E02K	E03K	E04K
A	-	35	35	35
B	75,5	110,5	145,5	180,5
A1	114	114	114	114
A2	55	90	125	160
B1	109,5	109,5	109,5	109,5
B2	71	106	141	176
C1	84	84	84	84
C2	85	120	155	190

OT 315_K and OT 400_K



OT315 ... OT400				
	E01K	E02K	E03K	E04K
A	-	44	44	44
B	103	147	191	235
A1	140	140	140	140
A2	78	122	166	210
B1	135	135	135	135
B2	96	140	184	228
C1	104	104	104	104
C2	114	158	202	246

OT 630_K and OT 800_K



OT 630/800				
	E01K	E02K	E03K	E04K
	mm/in	mm/in	mm/in	mm/in
A	136/5,35	201/7,91	266/10,47	331/13,03
A1	112/4,41	177/6,97	242/9,53	307/12,09
B1	130/5,12	195/7,68	260/10,24	325/12,80
C1	148/5,83	213/8,39	278/10,95	343/13,50

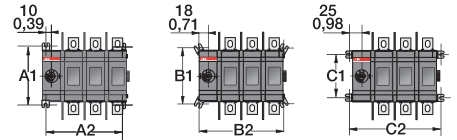
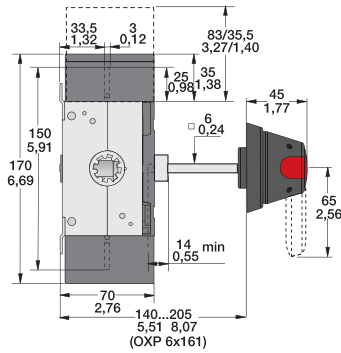
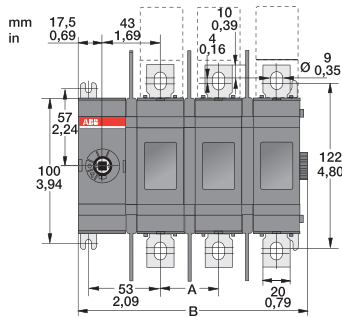
OT 1000...2500_K

See dimension drawings for switches from pages 58 and 59, dimension drawings for direct mounted handle OTV1000EK, see page 73

Front operated switch-disconnectors, base mounting

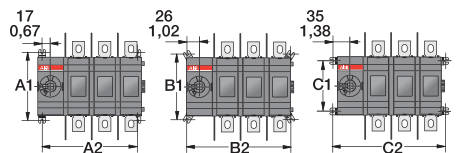
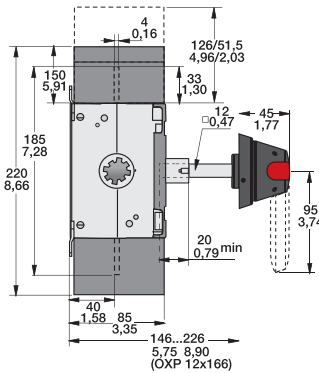
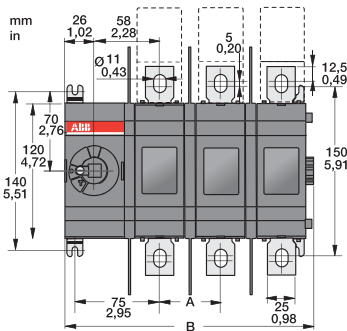
Dimension drawings

OT 200U_P



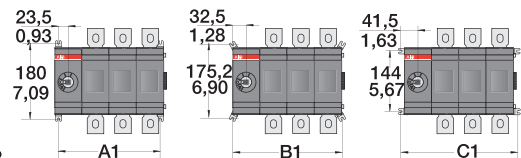
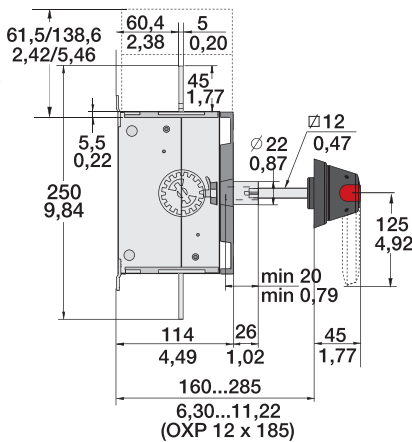
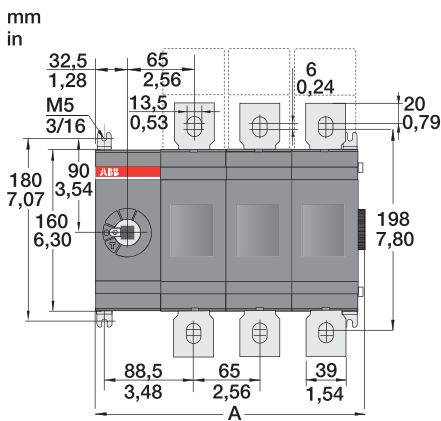
OT200				
	U01	U02	U03	U04
	mm / in	mm / in	mm / in	mm / in
A	-	43 / 1,69	43 / 1,69	43 / 1,69
B	83,5 / 3,24	126,5 / 4,98	169,5 / 6,67	212,5 / 8,37
A1	114 / 4,49	114 / 4,49	114 / 4,49	114 / 4,49
A2	63 / 2,48	106 / 4,17	149 / 5,87	192 / 7,56
B1	109,5 / 4,31	109,5 / 4,31	109,5 / 4,31	109,5 / 4,31
B2	79 / 3,11	122 / 4,80	165 / 6,50	208 / 8,19
C1	84 / 3,31	84 / 3,31	84 / 3,31	84 / 3,31
C2	93 / 3,66	136 / 5,35	179 / 7,05	222 / 8,74

OT 400U_P



OT 400				
	U01	U02	U03	U04
	mm / in	mm / in	mm / in	mm / in
A	-	54 / 2,13	54 / 2,13	54 / 2,13
B	113 / 4,45	167 / 6,58	221 / 8,70	275 / 10,83
A1	140 / 5,51	140 / 5,51	140 / 5,51	140 / 5,51
A2	88 / 3,47	142 / 5,59	196 / 7,72	250 / 9,84
B1	135 / 5,32	135 / 5,32	135 / 5,32	135 / 5,32
B2	106 / 4,17	160 / 4,17	214 / 8,43	268 / 10,55
C1	104 / 4,09	104 / 4,09	104 / 4,09	104 / 4,09
C2	124 / 4,88	178 / 7,01	232 / 9,13	286 / 11,27

OT 600U_P



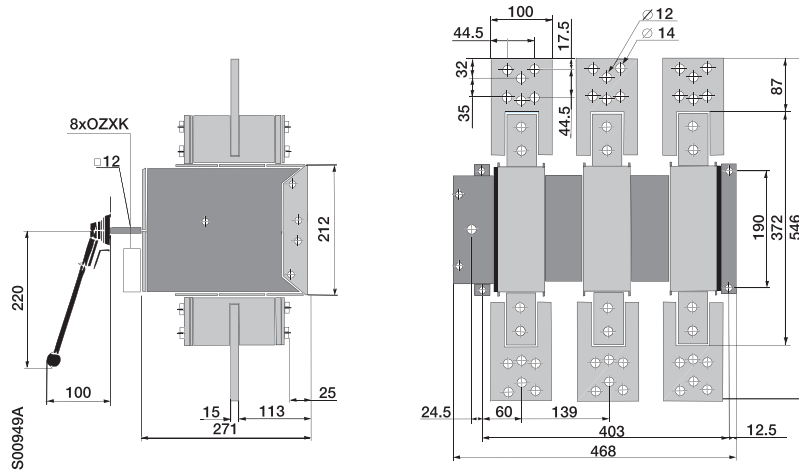
OT 600				
	U01	U02	U03	U04
	mm/in	mm/in	mm/in	mm/in
A	136/5,35	201/7,91	266/10,47	331/13,03
A1	112/4,41	177/6,97	242/9,53	307/12,09
B1	130/5,12	195/7,68	260/10,24	325/12,80
C1	148/5,83	213/8,39	278/10,95	343/13,50

OT 800U_P..OT 1200U_P, see page 58

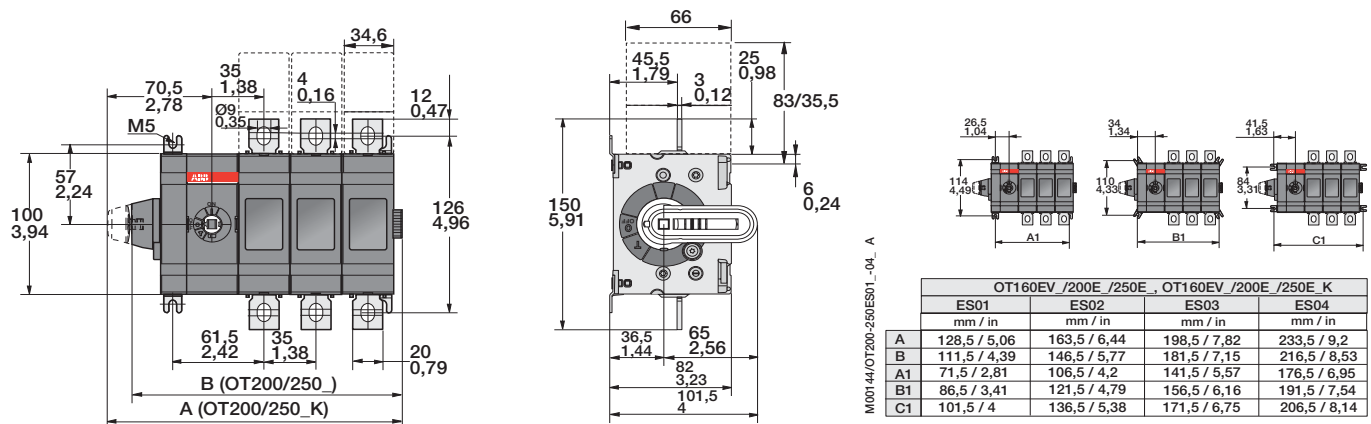
Front and side operated switch-disconnectors, base mounting

Dimension drawings

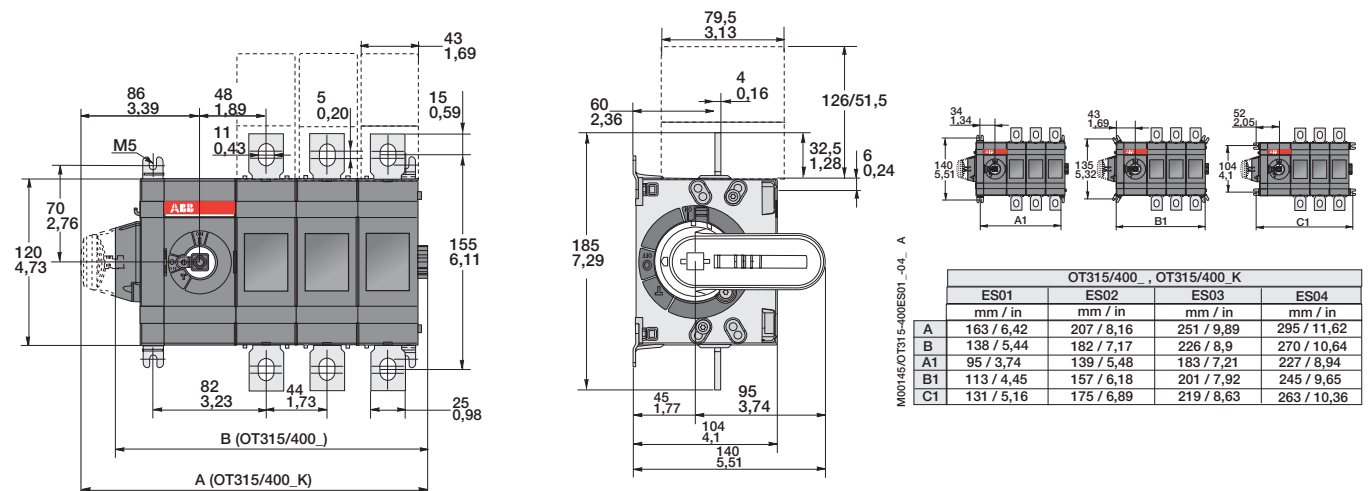
OETL-NF1600P and OETL-NF2000P



OT160EVs, OT 200ES_ and OT 250ES_

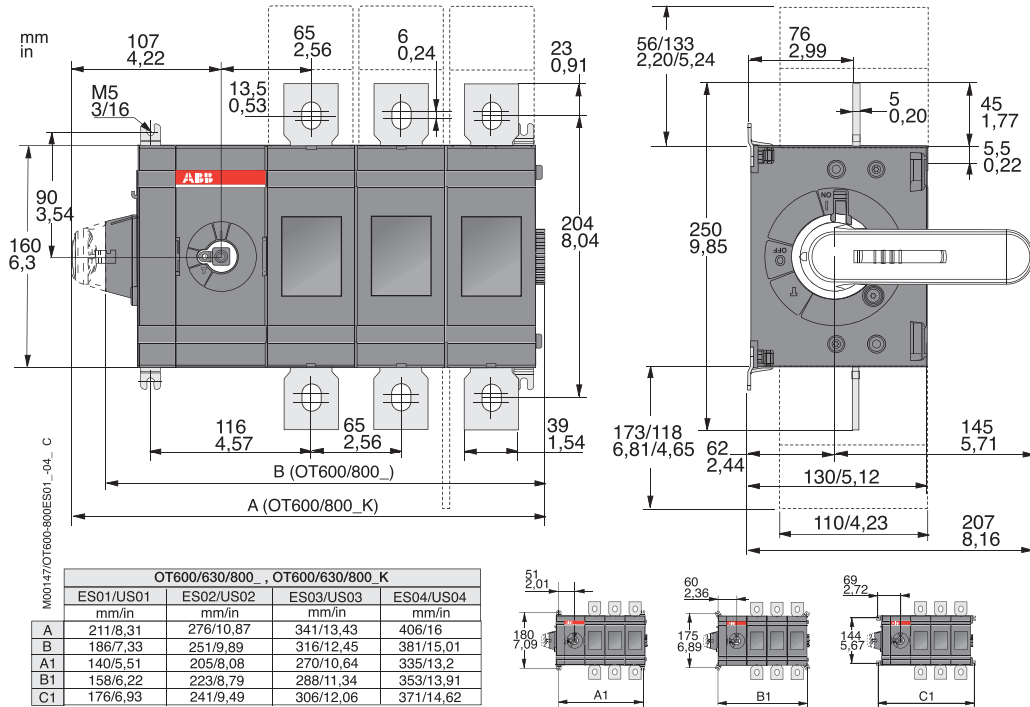


OT 315ES_ and OT 400ES_

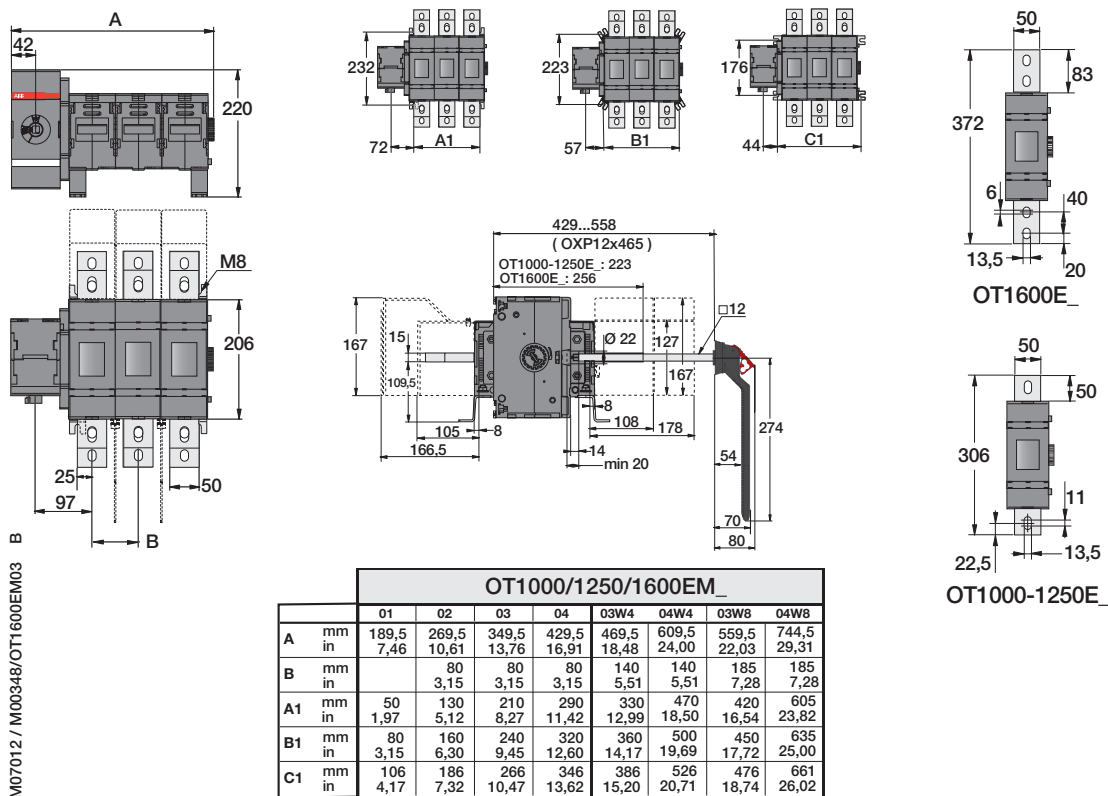


Side operated switch-disconnectors and earthing switches Dimension drawings

OT 630ES_ and OT 800ES_



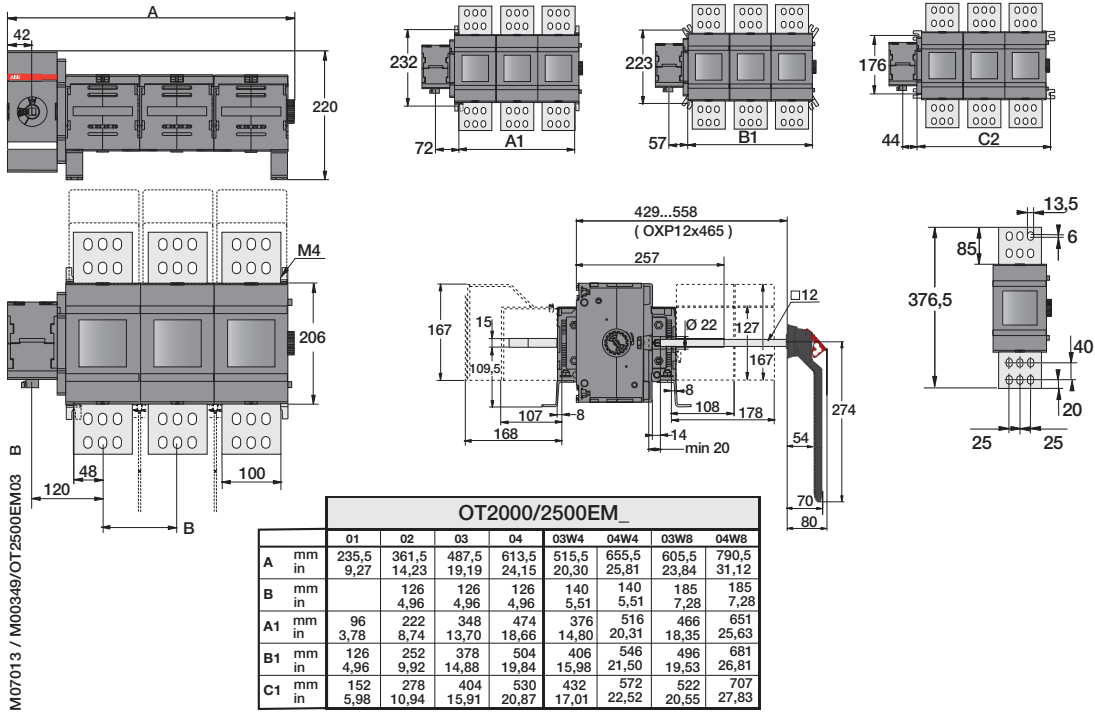
OT1000-1600EM_



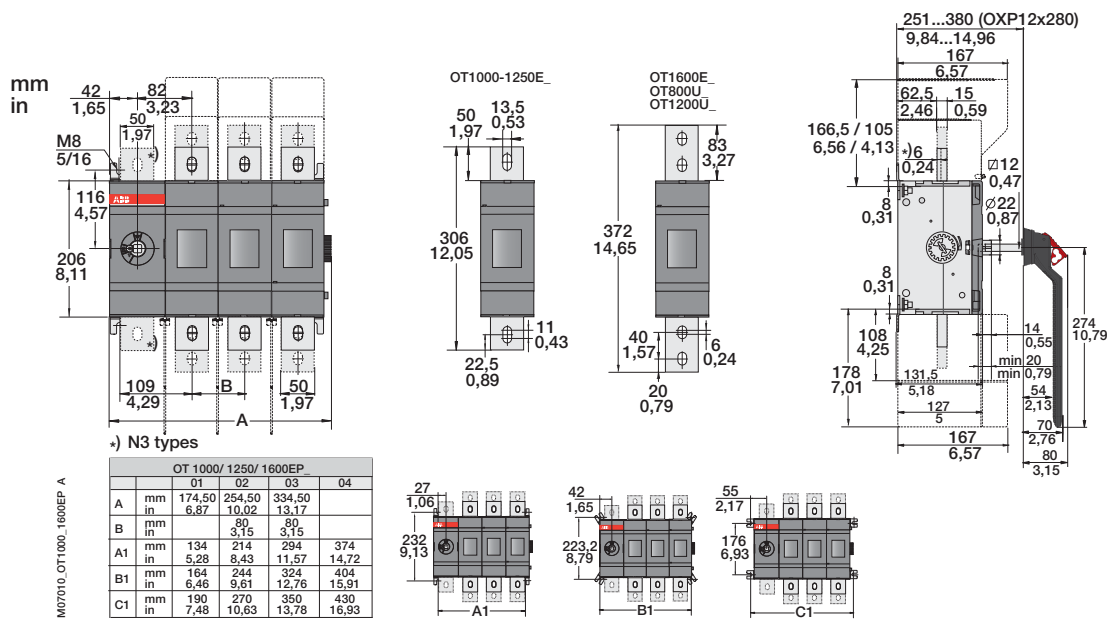
Earthing switches

Dimension drawings

OT2000-2500EM_



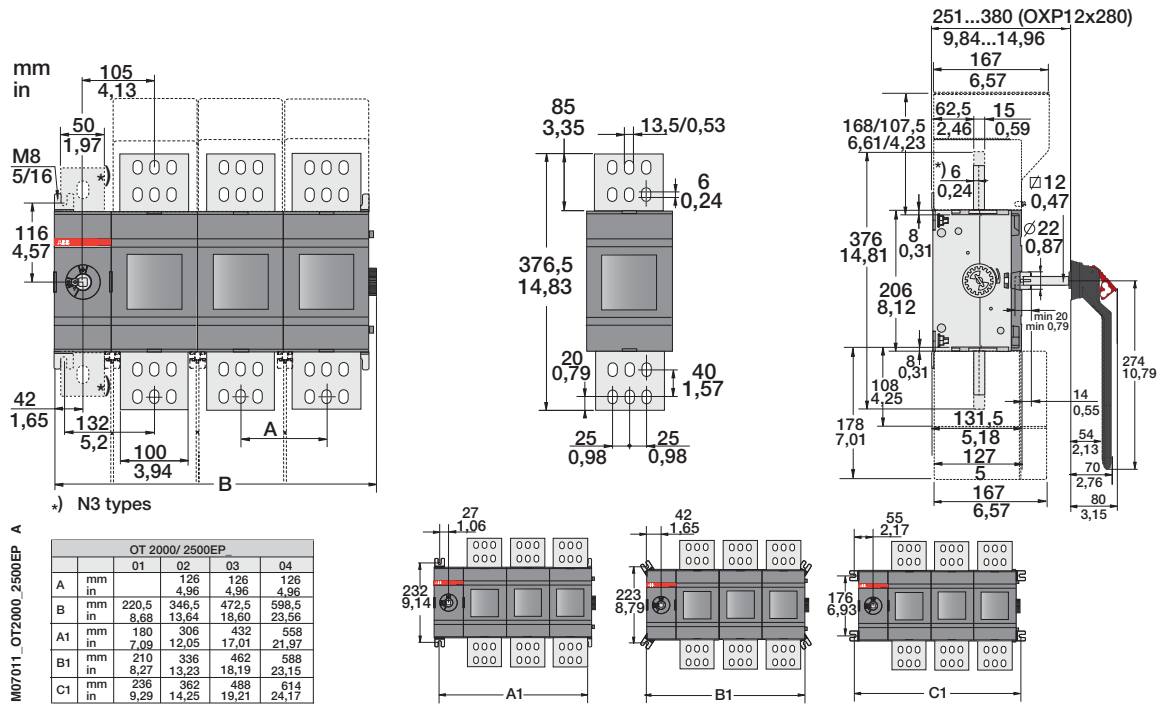
OT1000-1600EP_



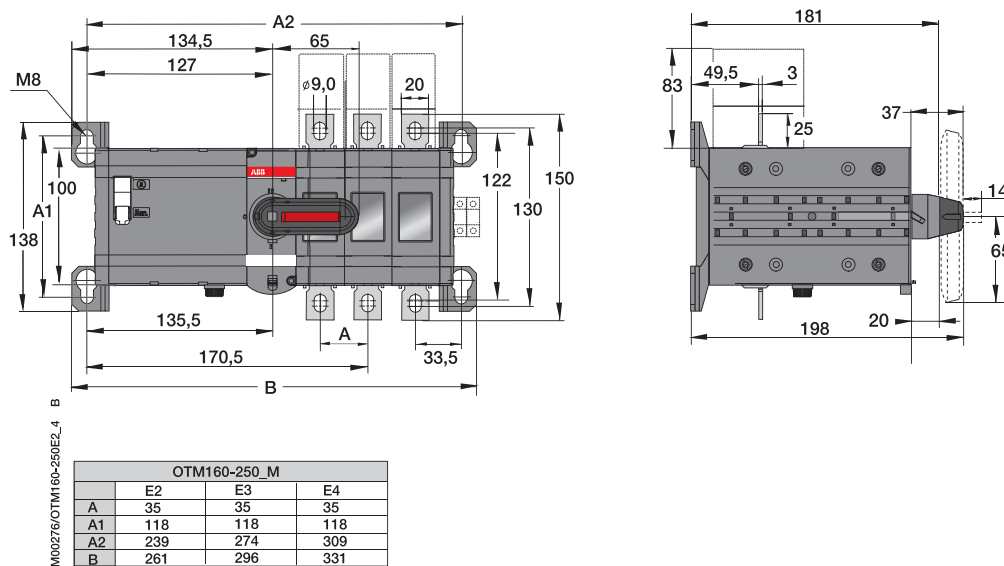
Earthing switches and motorized switch-disconnectors

Dimension drawings

OT2000-2500EP_



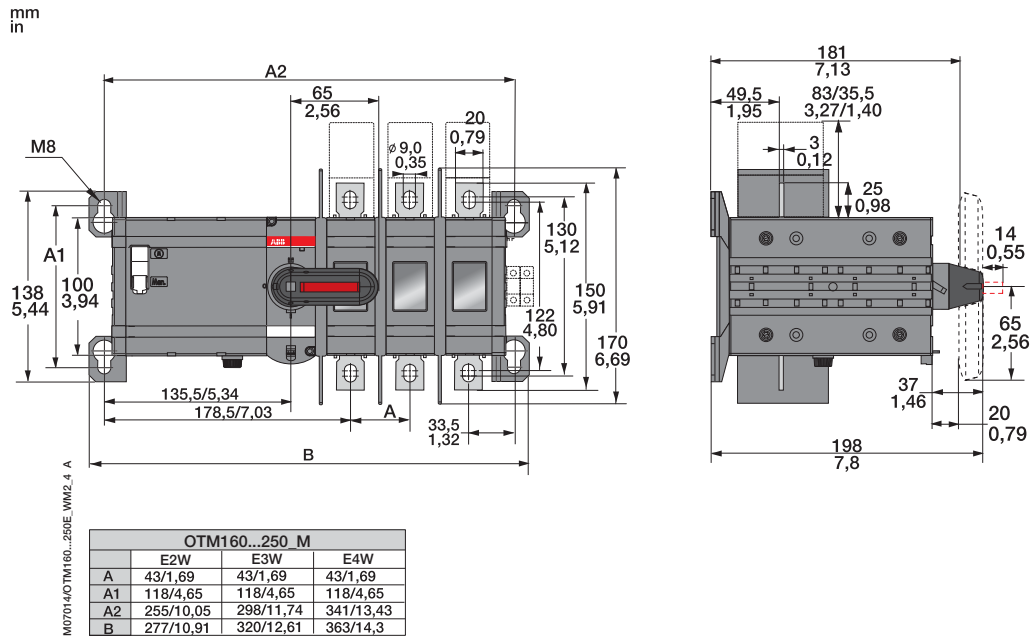
OTM160-250E_M



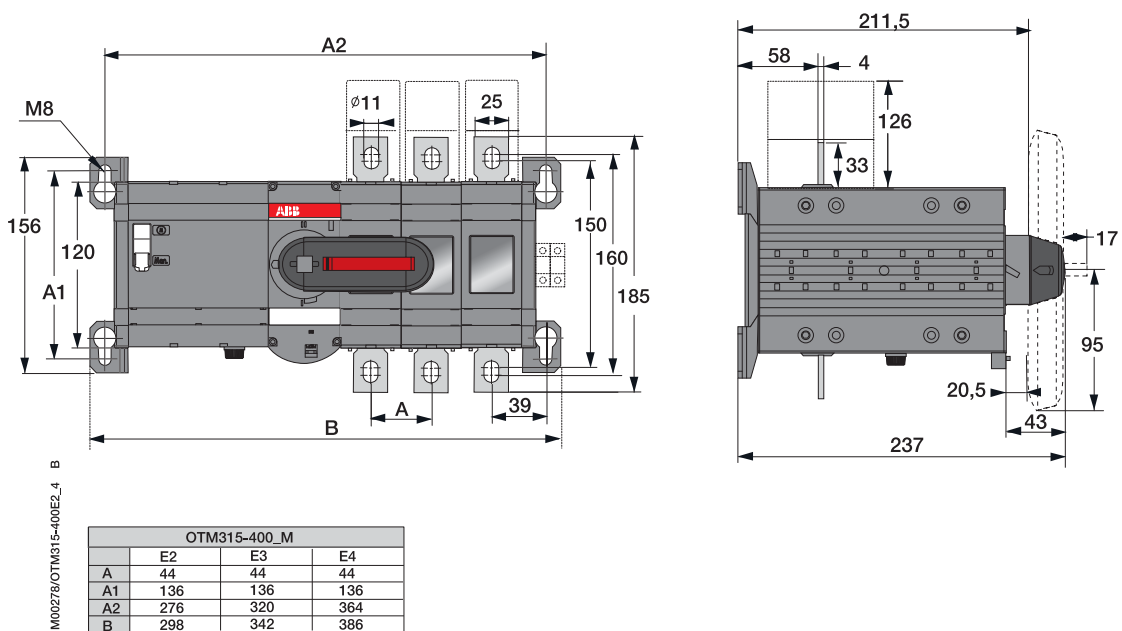
Motorized switch-disconnectors

Dimension drawings

OTM160-250E_WM



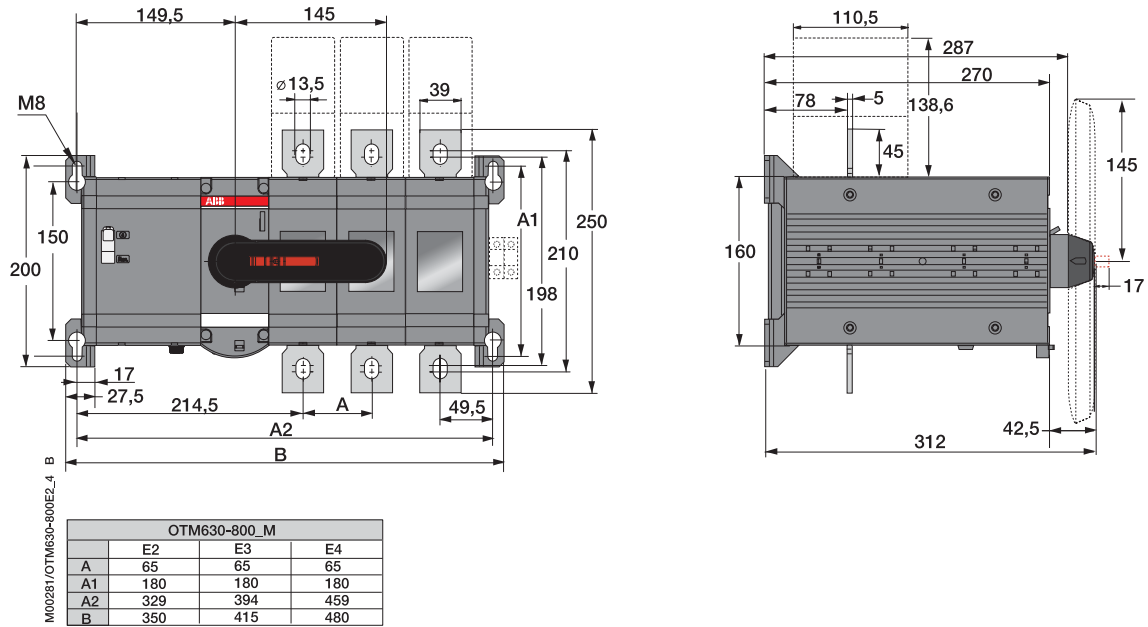
OTM315-400E_M



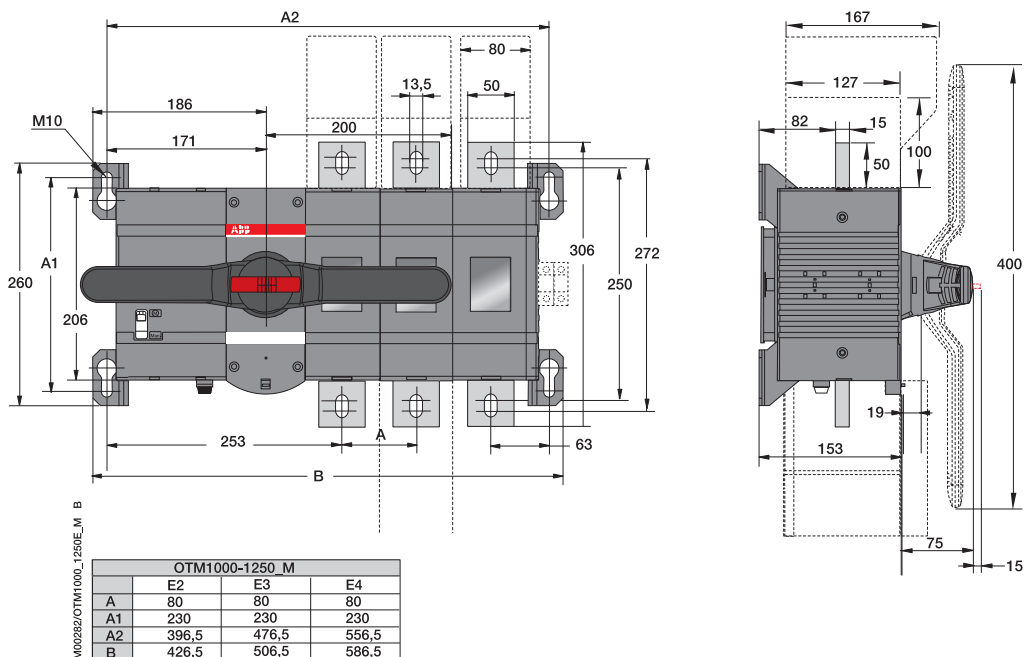
Motorized switch-disconnectors

Dimension drawings

OTM630-800E_M



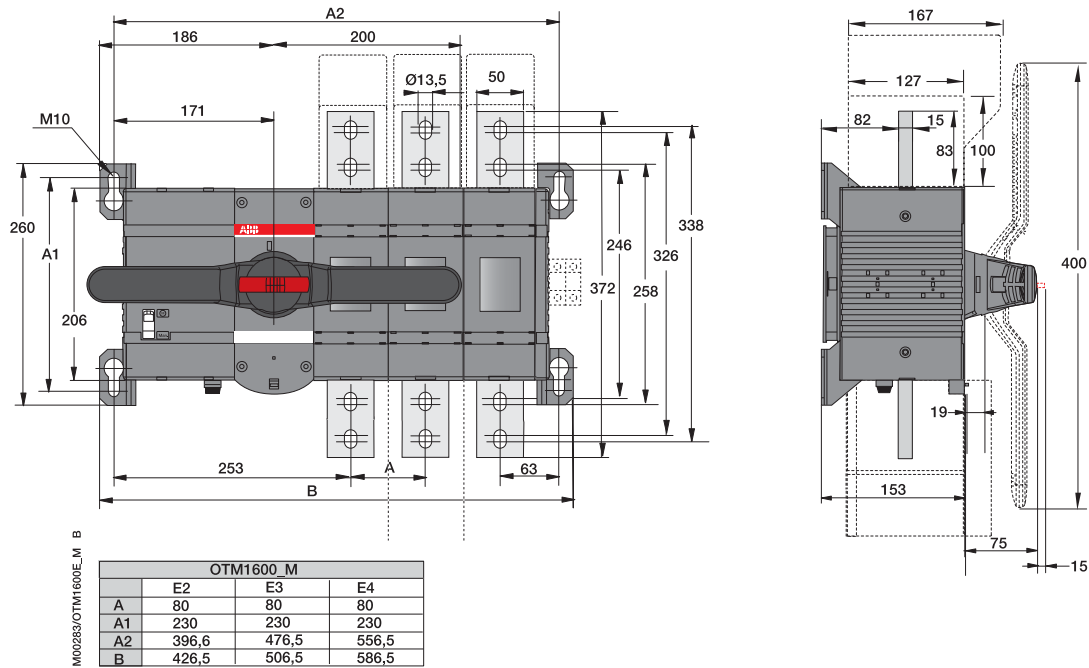
OTM1000-1250E_M



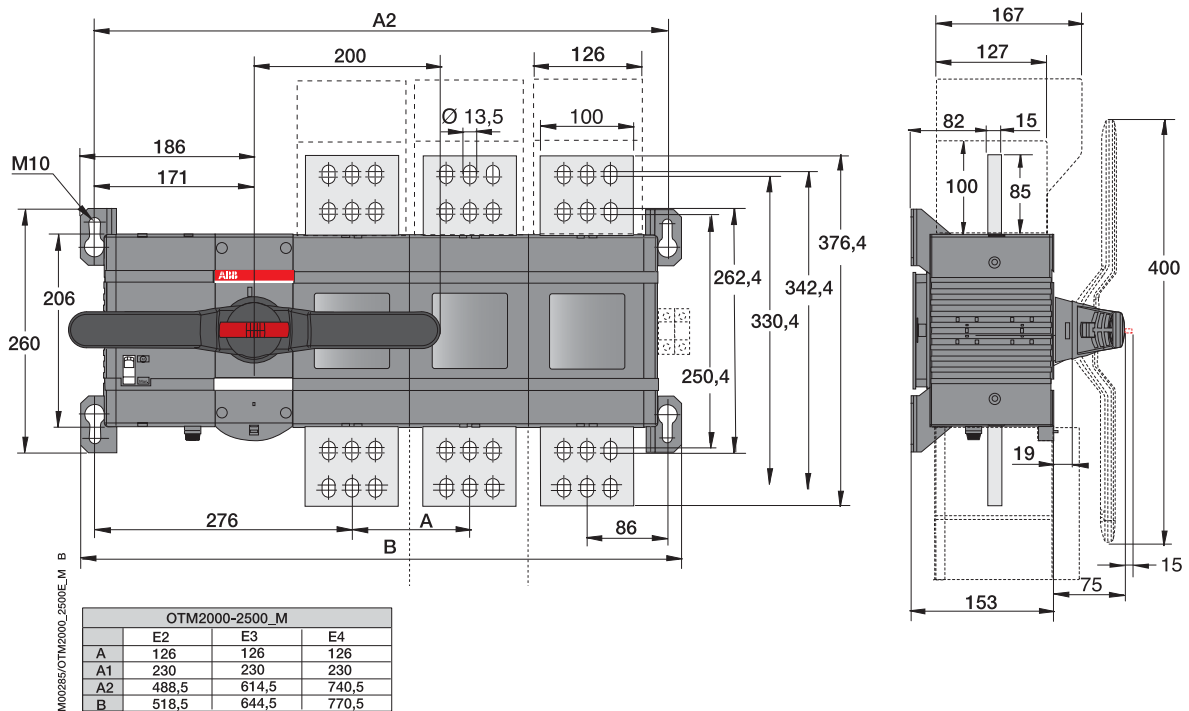
Motorized switch-disconnectors

Dimension drawings

OTM1600E_M



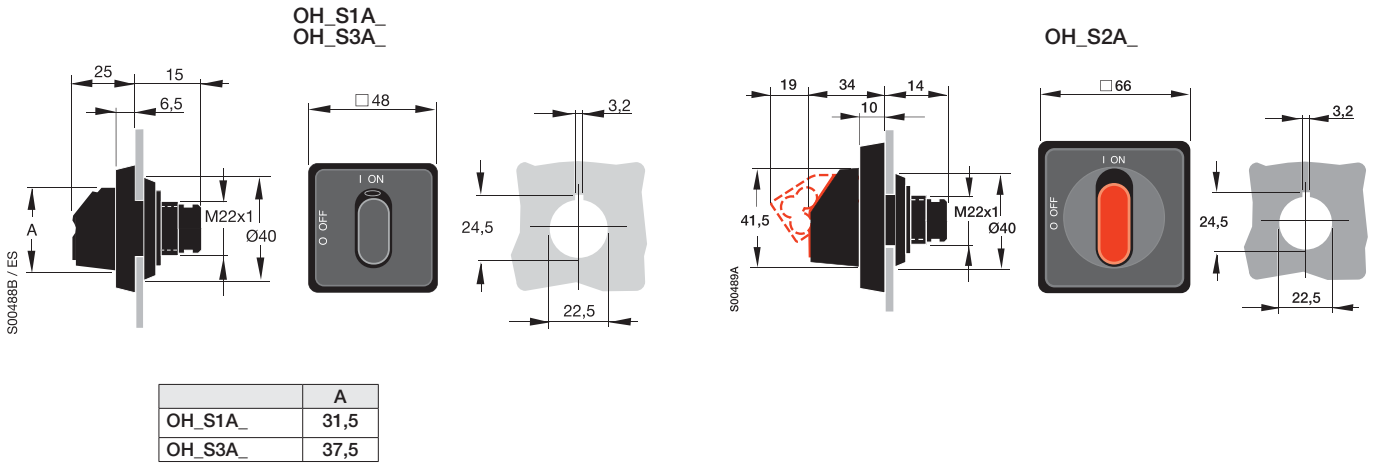
OTM2000-2500E_M



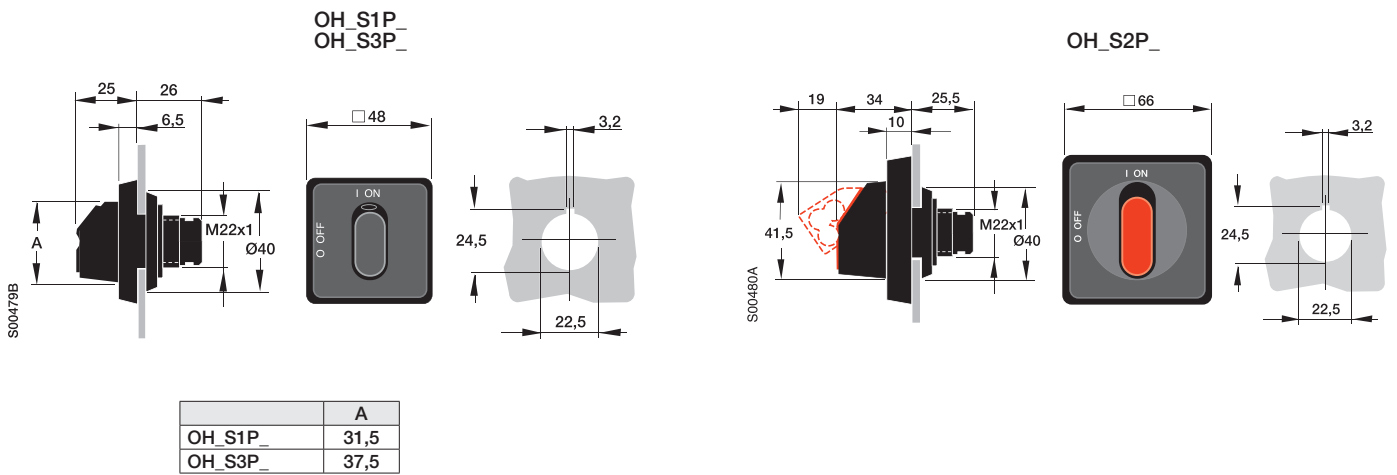
Handles

Dimension drawings

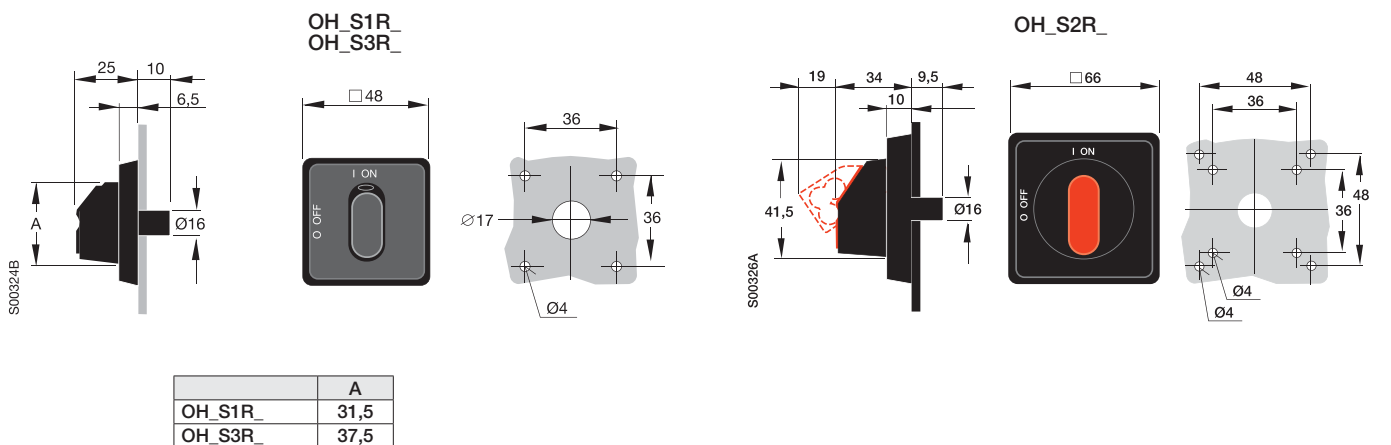
Handles for base and DIN-rail mounted switches



Handles for door mounted switches (snap-on mounting)



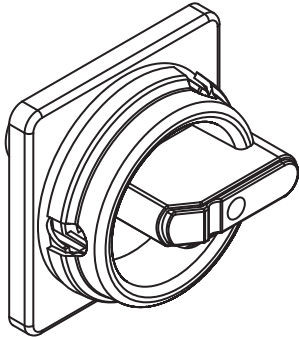
Handles for door mounted switches (screw-mounting)



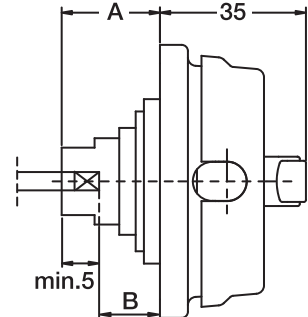
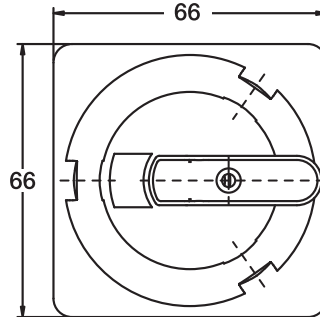
Handles

Dimension drawings

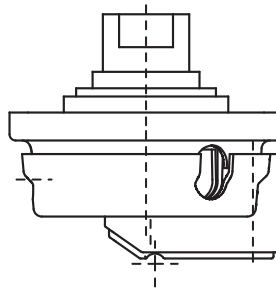
Round padlockable handle OZ331P_ and OZ371P_



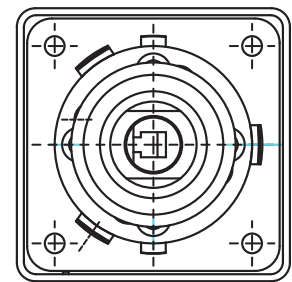
KE00031



	OZ331P_	OZ371P_
A	24	21
B	3-10	4-5



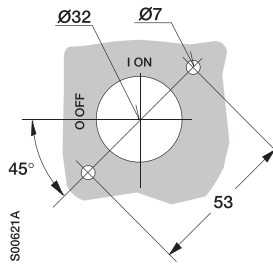
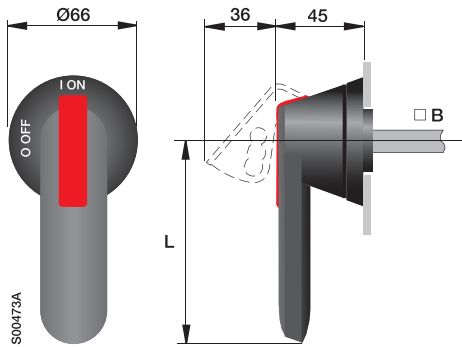
Shaft size 6 mm



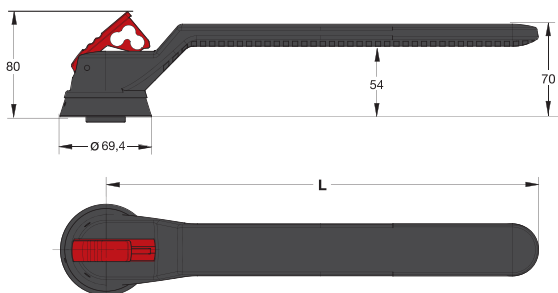
Plastic handles

OH_

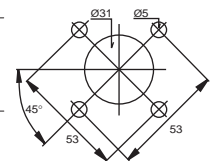
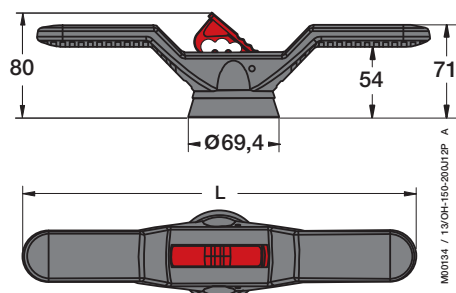
Door drilling for OH_ -handles:



Handle type	Handle length (mm) L	Shaft (mm) B
OH_45J6	45	6
OH_65J6	65	6
OH_80J6	80	6
OH_95J12	95	12
OH_125J12	125	12
OH_145J12	145	12
OH_175J12	175	12
OH_275J12	275	12



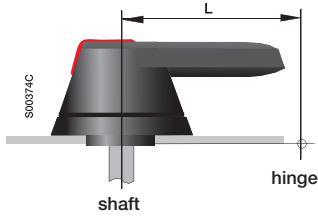
Type	L
OH_274J12	274
OH_330J12	330



Handle type	L
OHB150J12P	300
OHB200J12P	400

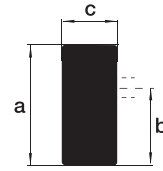
Handles, legend plate Dimension drawings

Minimum distance L, between the hinge and the rotating shaft



Switch size	Length L [mm]	Handle type
OT16...125	75	OH_1, OH_2, OH_3
OT160...250_P	60	OH_65J_
OT315...400_P	95	OH_95J_
OT630...800_P	150	OH_125J_
OT1000...2500_P	274 330	OH_274J OH_330J
OETL3150	220 275	YASDA 7, 8 OH_275J12

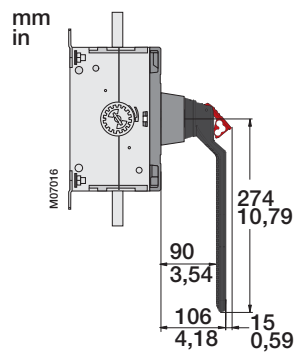
Handle knobs



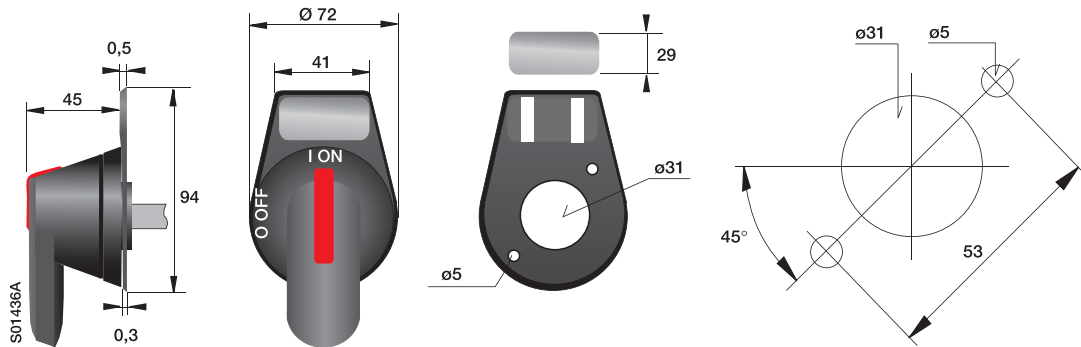
	a	b	c
OHBS 1, OHRS 1	31	16	14
OHBS 2, OHRS 2	40	25	13
OHBS 3, OHRS 3	39	23	18
OHBS 9, OHRS 9	72	55	16
OHB 13	72	55	18
YAST 1	72	55	15.5

S013770A

OTV1000EK

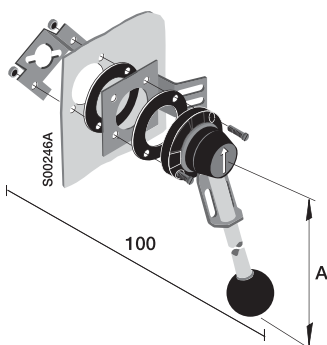


Legend plate for pistol handles, OPB3, OPY3 and OPX3

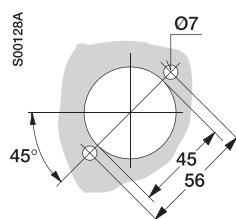


Metallic handles

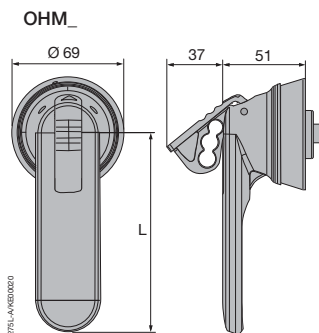
YASDA 6, 35 (A = 320 mm)
YASDA 7, 8, 21 (A = 220 mm)
YASDA 24 (A = 145 mm)



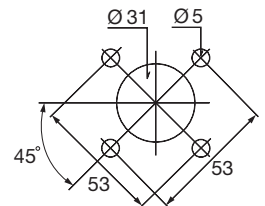
Door drilling for YASDA_ :



Stainless steel handles



Door drilling for OHM_

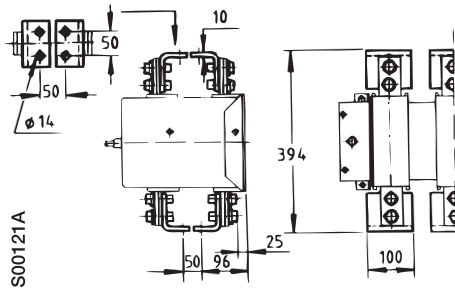


Handle type	OHM65L6	OHM125L12	OHM175L12	OHM275L12
L	65	125	175	275
B	6	12	12	12

Connection busbars, motor operator Dimension drawings

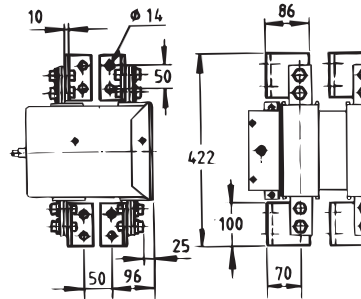
Connection busbars for OETL 3150

OETLZX 114, 114/1



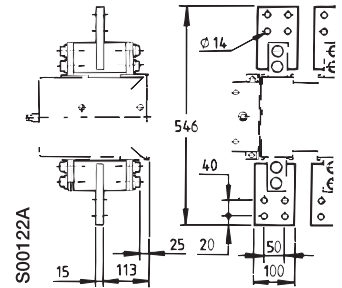
Alternative 1
- vertical/back mounting

OETLZX 114, 114/1



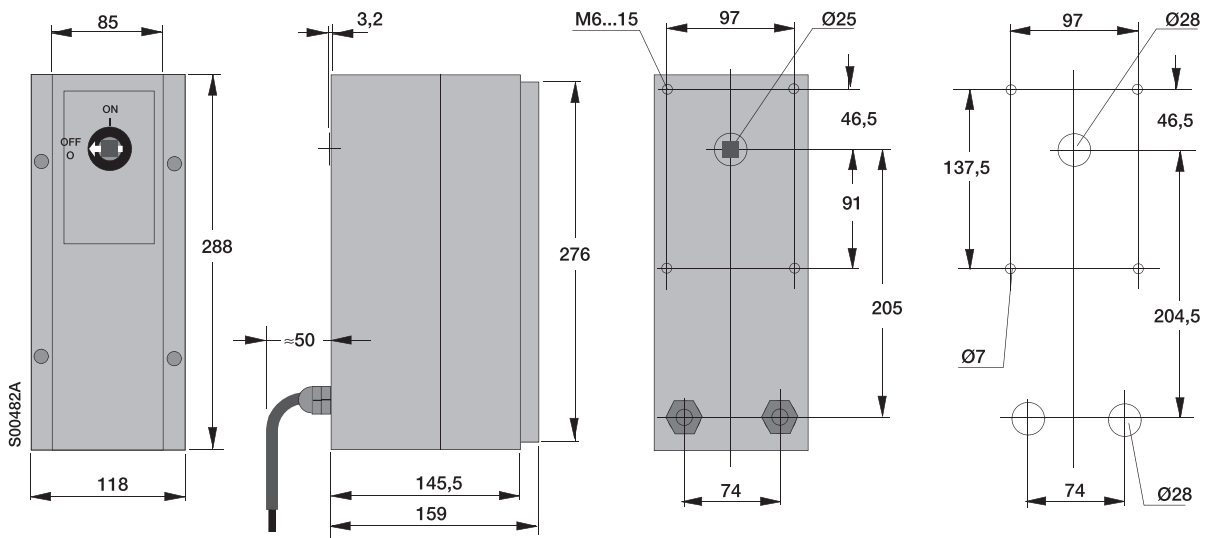
Alternative 2
- edgewise mounting

OETLZX 115, 115/1

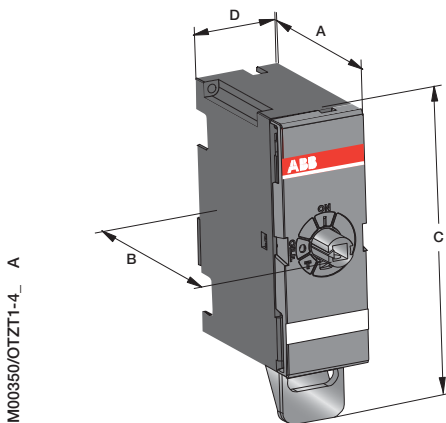


Alternative 3
- vertical mounting

Motor operator OEMO



Electrical and mechanical interlock OTZT_

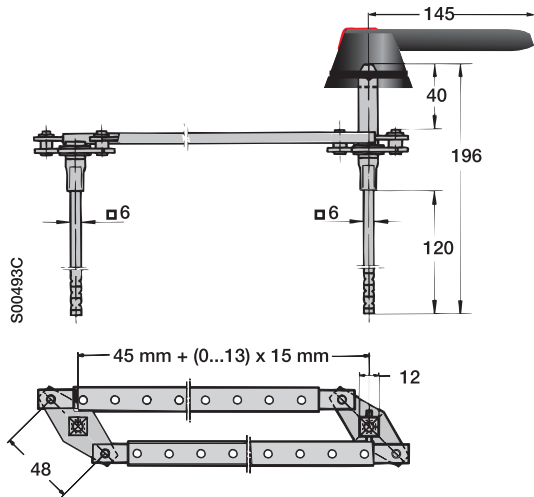


TYPE	A (mm)	B (mm)	C (mm)	D (mm)
OTZT1	69	82	122	35
OTZT2	81	102	152	52
OTZT3	86	110	201	65
OTZT4	88	110	258	84

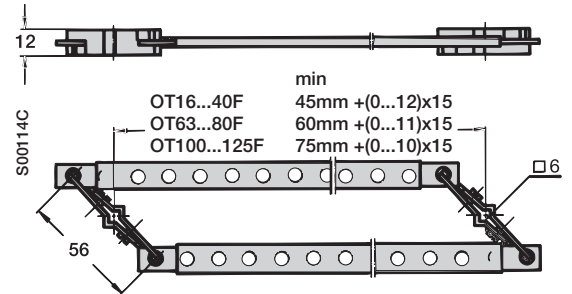
Conversion kits Dimension drawings

6 and 8-pole mechanism

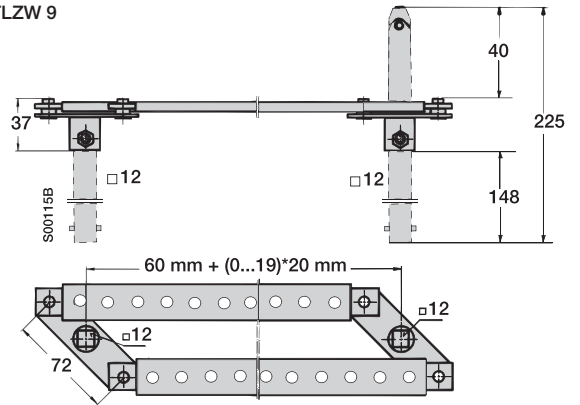
OESAZW 2



OTZW 8

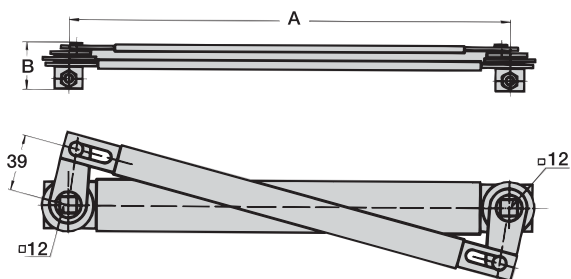


OETLZW 9



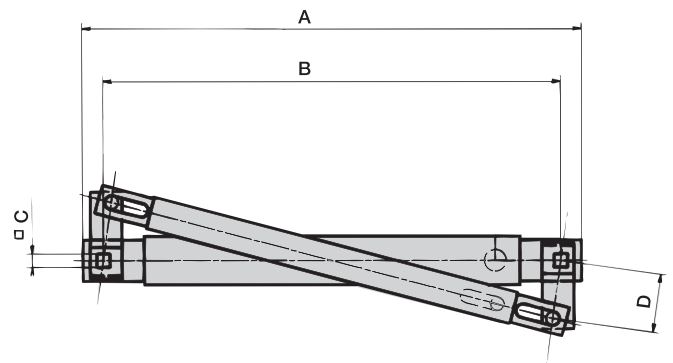
Mechanical interlock mechanism

OETLZW 3, 14, 15



	A	B
OETLZW 3	300	31
OETLZW 14	250	31
OETLZW 15	500	36

OTZW 10, 24

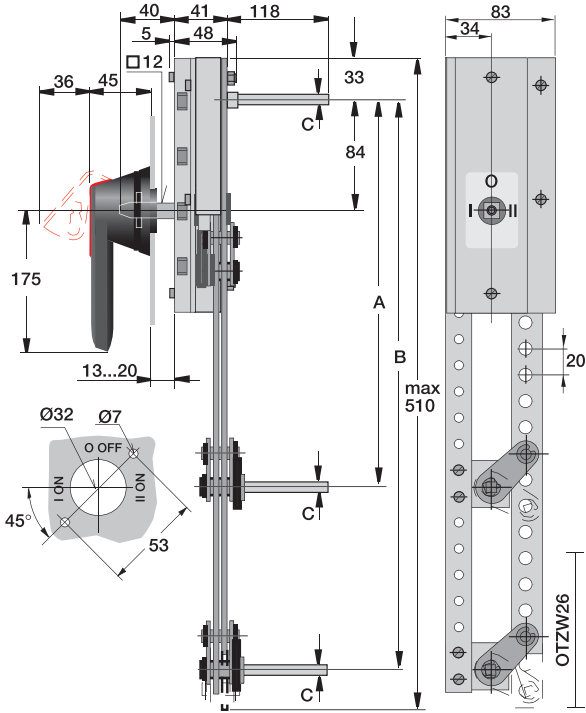


Type	A	B	C	D
OTZW10	206	190	6	30
OTZW24	114	100	6	15

Conversion kits Dimension drawings

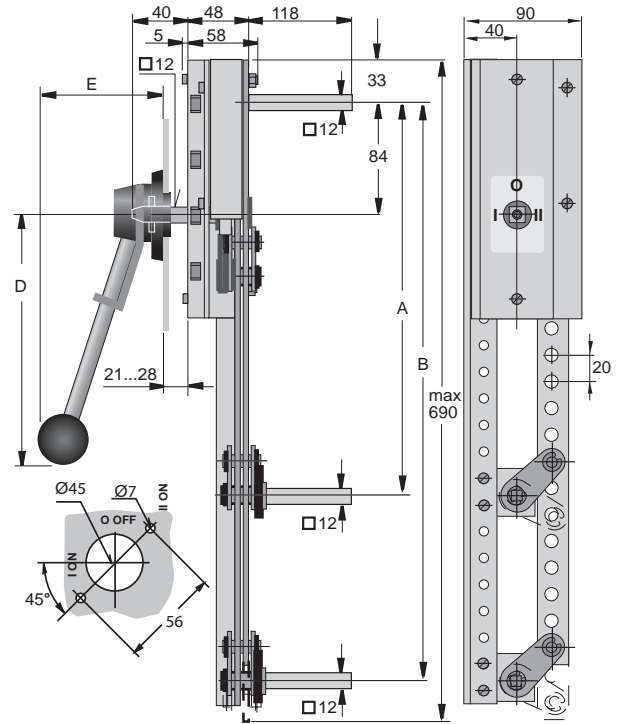
Change-over and by-pass mechanism

OETLZW 11
OTZW 25
OTZW 26



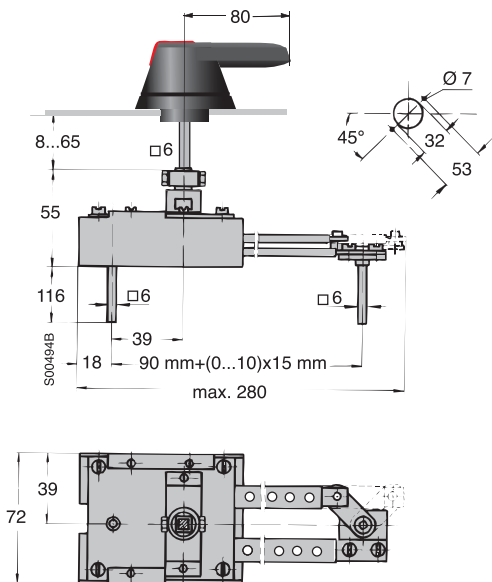
S00116A	A	B	C
OETLZW 11	210+(0...11)x20 mm	-	12
OTZW 25	210+(0...18)x20 mm	-	6
OTZW 26	210+(0...9)x20 mm	210+(0...9)x20 mm	6

OETLZW 12
OETLZW 13

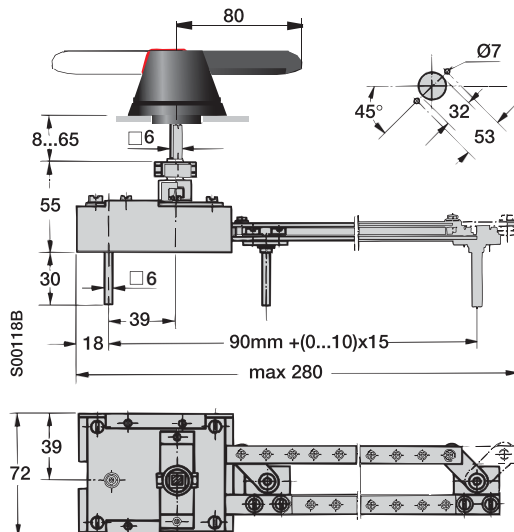


S00117C	A	B	D	E
OETLZW 12	210+(0...18)x20 mm	-	220 mm	95
OETLZW 13	210+(0...18)x20 mm	250+(0...18)x20 mm	320 mm	138

OESAZW1



OTZW 17

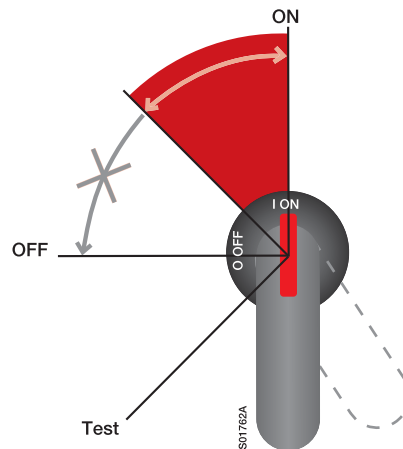


Switch-disconnectors

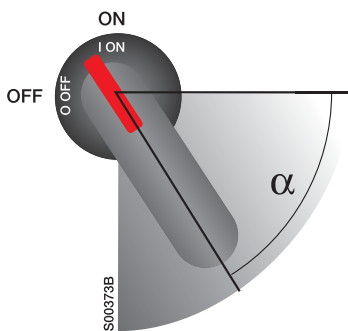
Handle indications, contact functions

Handle indications and functions

- The handle indicates the position of the contacts with complete reliability in all situations.
If the contacts are welded together, the handle doesn't reach the OFF-position but remains between ON and OFF, maintaining the door interlock and padlocking is not possible to do.
- When operating the switch to the Test-position with a test handle the test auxiliary contacts change position. The main contacts remain open.



ON and OFF-functions of main and auxiliary contacts

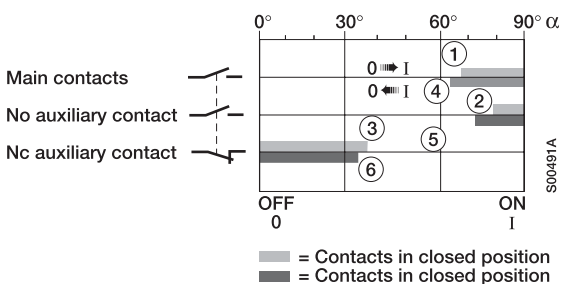


Closing

1. Main contacts close
2. NO auxiliary contacts close
3. NC auxiliary contacts open

Opening

4. Main contacts open
5. NO auxiliary contacts open
6. NC auxiliary contacts close

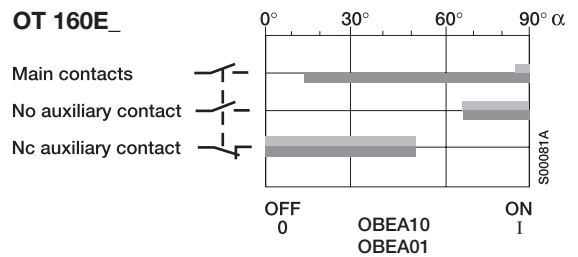
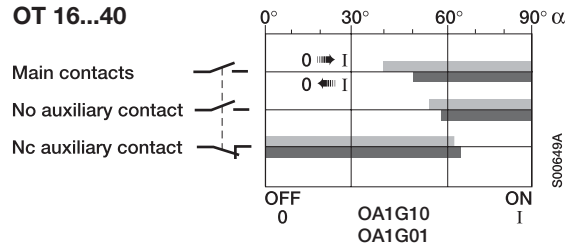
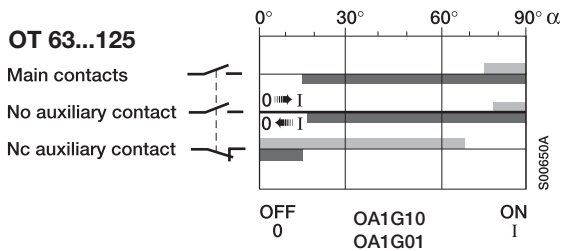


Switch-disconnectors Contact functions

ON and OFF-functions of main and auxiliary contacts

OT 16...160E

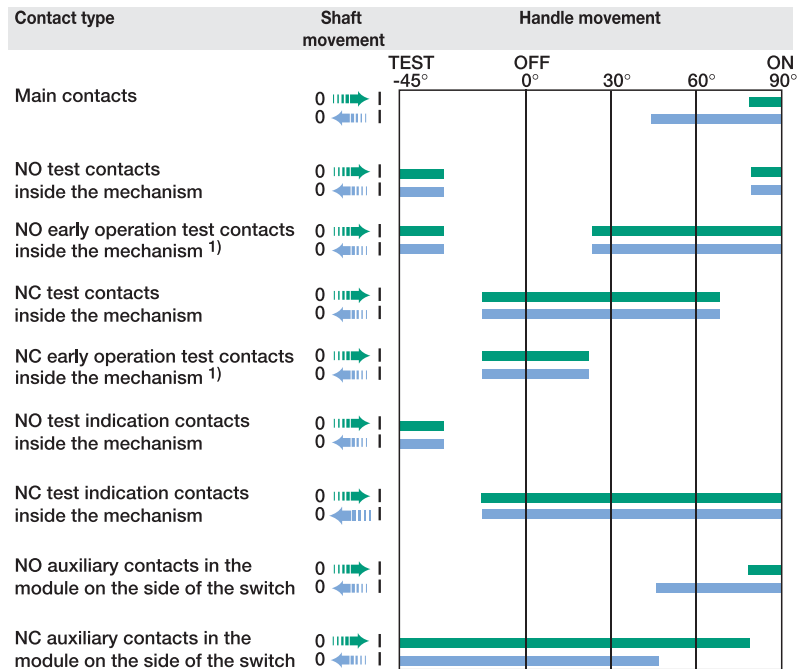
Auxiliary contact	Contact configuration
OA1G10, OA1G01	1NO 1NC
OBEA 10+, OEZNP 1	1NO
OBEA 01+, OEZNP 1	1NC



ON and OFF-functions of main and auxiliary contacts

OT160EV...2500

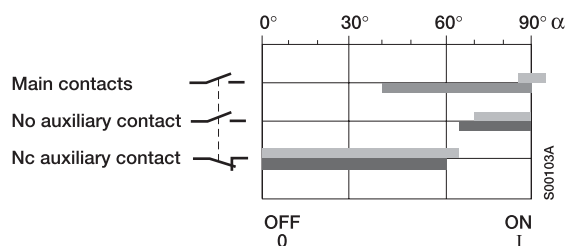
Auxiliary contact	Contact configuration
OA1G10, OA3G01	1NO 1NC



¹⁾ OT1000...2500 only

OETL 3150

Auxiliary contact	Contact configuration
OZXK 1	1NO+1NC
OZXK 2	2NO+2NC
OZXK 3	4NO+4NC
OZXK 4	2NO
OZXK 5	4NO
OZXK 6	8NO



Index

Type	Order number	Page	Description	Type	Order number	Page	Description
-	1SDA062127R1	49	Mechanical interlock	OETLZX114/1	1SCA022126R1990	44	Busbar connection
OA1G01	1SCA022353R4890	37	Auxiliary contact	OETLZX115	1SCA022117R7770	44	Busbar connection
OA1G01AU	1SCA022436R7830	37	Auxiliary contact	OETLZX115/1	1SCA022126R2110	44	Busbar connection
OA1G10	1SCA022353R4970	37	Auxiliary contact	OETLZX58	1SCA022068R8220	47	Mounting accessory
OA1G10	1SCA022353R4970	38	Auxiliary contact	OETLZX71	1SCA022068R2700	47	Mounting accessory
OA1G10AU	1SCA022436R7910	38	Auxiliary contact	OETLZX95	1SCA022083R5620	36	Shaft extension socket
OA1G10AU	1SCA022436R7910	37	Auxiliary contact	OEZNP1	1SCA022259R7410	39	Mounting accessory for auxiliary contacts
OA2G11	1SCA022379R8100	37	Auxiliary contact	OEZXX13	1SCA022299R9720	44	Busbar connection
OA3G01	1SCA022456R7410	37	Auxiliary contact	OEZXX6	1SCA022292R6330	44	Busbar connection
OA3G01	1SCA022456R7410	38	Auxiliary contact	OHB125J12	1SCA022381R1560	31	Pistol type handle
OA3G01AU	1SCA022819R5260	38	Auxiliary contact	OHB125J12T	1SCA022652R2220	31	Pistol type handle
OA3G01AU	1SCA022819R5260	37	Auxiliary contact	OHB13	1SCA022712R4620	29	Handle knob
OAZX1	1SCA022467R5140	39	Mounting accessory for auxiliary contacts	OHB145J12	1SCA022381R2110	31	Pistol type handle
OBEA01	1SCA022190R3260	37	Auxiliary contact	OHB145J12E00S	1SCA022679R9700	32	Handle
OBEA01AU	1SCA022186R3730	37	Auxiliary contact	OHB145J12T	1SCA022652R2570	31	Pistol type handle
OBEA10	1SCA022190R3000	37	Auxiliary contact	OHB150J12P	1SCA022865R9430	31	Pistol type handle
OBEA10AU	1SCA022185R3310	37	Auxiliary contact	OHB175J12T	1SCA022708R0740	31	Pistol type handle
OBEAZX01	1SCA022276R2470	39	Mounting accessory for auxiliary contacts	OHB200J12P	1SCA022865R9510	31	Pistol type handle
OBEAZX10	1SCA022264R9910	39	Mounting accessory for auxiliary contacts	OHB200J12PT	1SCA106510R1001	31	Pistol type handle
OEA28	1SCA022714R8810	39	Mounting accessory for auxiliary contacts	OHB274J12	1SCA115920R1001	31	Pistol type handle
OEMO004/110VAC	1SCA022182R0300	47	Motor operator	OHB274J12T	1SCA120250R1001	31	Pistol type handle
OEMO004/230VAC	1SCA022196R9010	47	Motor operator	OHB275J12	1SCA022381R2960	31	Pistol type handle
OESAZW1	1SCA022064R3710	45	Conversion kit	OHB275J12E011	1SCA022460R7220	31	Pistol type handle
OESAZW2	1SCA022078R1600	45	Conversion kit	OHB330J12	1SCA115922R1001	31	Pistol type handle
OESAZX160	1SCA022186R3960	40	Neutral link	OHB330J12T	1SCA120252R1001	31	Pistol type handle
OESAZX162	1SCA022193R0400	40	Neutral link	OHB45J6	1SCA022380R8770	31	Pistol type handle
OESAZX164	1SCA022202R9520	40	Neutral link	OHB65J6	1SCA022380R9660	31	Pistol type handle
OESAZX165	1SCA022202R9790	40	Neutral link	OHB65J6E00S	1SCA022382R9850	32	Handle
OESAZX167	1SCA022190R1560	36	Shaft extension socket	OHB65J6T	1SCA022399R8110	31	Pistol type handle
OETL3150K185	1SCA022136R7550	20	Front operated switch-disconnector	OHB65J6TE00S	1SCA109016R1001	32	Handle
OETL3150K3	1SCA022115R6340	20	Front operated switch-disconnector	OHB80J6	1SCA022381R0240	31	Pistol type handle
OETL3150K3-2	1SCA022157R4260	20	Front operated switch-disconnector	OHB95J12	1SCA022381R0830	31	Pistol type handle
OETL3150K3-H20	1SCA022163R8090	20	Front operated switch-disconnector	OHB95J12T	1SCA022736R1750	31	Pistol type handle
OETL3150K4	1SCA022115R6510	20	Front operated switch-disconnector	OHS1	1SCA109087R1001	29	Handle knob
OETL3150KV12	1SCA022290R3390	20	Front operated switch-disconnector	OHS1/1	1SCA109088R1001	29	Handle knob
OETL3150KV22	1SCA022290R8260	20	Front operated switch-disconnector	OHS12	1SCA108252R1001	29	Handle knob
OETL-NF1600P	1SCA022283R0690	23	Front operated, non-fusible disconnect switch	OHS1AH	1SCA102680R1001	30	Selector type handle
OETL-NF2000P	1SCA022282R0850	23	Front operated, non-fusible disconnect switch	OHS1AH1	1SCA105210R1001	30	Selector type handle
OETLZK19	1SCA022093R1850	36	Adapter for extension socket	OHS1PH	1SCA105211R1001	33	Selector type handle
OETLZT80A110AC	1SCA022080R9460	48	Electrical interlock	OHS1RH	1SCA105212R1001	33	Selector type handle
OETLZT80A110DC	1SCA022081R0210	48	Electrical interlock	OHS2	1SCA109089R1001	29	Handle knob
OETLZT80A220AC	1SCA022079R9050	48	Electrical interlock	OHS2/1	1SCA109090R1001	29	Handle knob
OETLZT80A220DC	1SCA022080R9890	48	Electrical interlock	OHS2AJ	1SCA105213R1001	30	Selector type handle
OETLZT80A240AC	1SCA022384R3330	48	Electrical interlock	OHS2AJ1	1SCA105215R1001	30	Selector type handle
OETLZT80A24DC	1SCA022081R1440	48	Electrical interlock	OHS2AJEH	1SCA108230R1001	30	Selector type handle
OETLZT80A48DC	1SCA022081R1010	48	Electrical interlock	OHS2PJ	1SCA105231R1001	33	Selector type handle
OETLZT80A60DC	1SCA022081R0630	48	Electrical interlock	OHS2RJ	1SCA105232R1001	33	Selector type handle
OETLZT80L110AC	1SCA022080R9200	48	Electrical interlock	OHS3	1SCA108320R1001	29	Handle knob
OETLZT80L110DC	1SCA022081R0040	48	Electrical interlock	OHS3/1	1SCA108319R1001	29	Handle knob
OETLZT80L220AC	1SCA022079R9640	48	Electrical interlock	OHS3AH	1SCA105234R1001	30	Selector type handle
OETLZT80L220DC	1SCA022080R9620	48	Electrical interlock	OHS3AH1	1SCA105235R1001	30	Selector type handle
OETLZT80L230AC	1SCA022375R0240	48	Electrical interlock	OHS3PH	1SCA105236R1001	33	Selector type handle
OETLZT80L240AC	1SCA022496R2040	48	Electrical interlock	OHS3RH	1SCA105237R1001	33	Selector type handle
OETLZT80L24DC	1SCA022081R1280	48	Electrical interlock	OHS9	1SCA108665R1001	29	Handle knob
OETLZT80L48DC	1SCA022081R0800	48	Electrical interlock	OHS9/1	1SCA108689R1001	29	Handle knob
OETLZT80L60DC	1SCA022081R0470	48	Electrical interlock	OHG125J12	1SCA022381R1640	31	Pistol type handle
OETLZW11	1SCA022078R0030	45	Conversion kit	OHG145J12	1SCA022381R2290	31	Pistol type handle
OETLZW12	1SCA022078R0200	45	Conversion kit	OHG275J12	1SCA022381R3000	31	Pistol type handle
OETLZW13	1SCA022078R0460	45	Conversion kit	OHG275J12E011	1SCA022460R7490	31	Pistol type handle
OETLZW14	1SCA022077R3410	45	Conversion kit	OHG45J6	1SCA022380R8850	31	Pistol type handle
OETLZW15	1SCA022081R9340	45	Conversion kit	OHG65J6	1SCA022380R9740	31	Pistol type handle
OETLZW16	1SCA022093R2070	47	Locking accessory	OHG65J6E00S	1SCA022383R4510	32	Handle
OETLZW3	1SCA022049R0380	45	Conversion kit	OHG65J6TE00S	1SCA109014R1001	32	Handle
OETLZW5	1SCA022052R3900	47	Locking accessory	OHG80J6	1SCA022381R0320	31	Pistol type handle
OETLZW9	1SCA022061R3300	45	Conversion kit	OHG95J12	1SCA022381R0910	31	Pistol type handle
OETLZX108	1SCA022087R8430	47	Mounting accessory	OHG95J12T	1SCA105261R1001	30	Selector type handle
OETLZX114	1SCA022117R7510	44	Busbar connection	OHG95J12T	1SCA105262R1001	30	Selector type handle

Type	Order number	Page	Description
OHGS1PH	1SCA105263R1001	33	Selector type handle
OHGS1RH	1SCA105264R1001	33	Selector type handle
OHGS2AJ	1SCA105265R1001	30	Selector type handle
OHGS2AJ1	1SCA105266R1001	30	Selector type handle
OHGS2PJ	1SCA105268R1001	33	Selector type handle
OHGS2RJ	1SCA105269R1001	33	Selector type handle
OHGS3AH	1SCA105270R1001	30	Selector type handle
OHGS3AH1	1SCA105271R1001	30	Selector type handle
OHGS3PH	1SCA105272R1001	33	Selector type handle
OHGS3RH	1SCA105273R1001	33	Selector type handle
OHM125L12	1SCA022739R1150	32	Handle
OHM175L12	1SCA022739R1230	32	Handle
OHM200L12P	1SCA104439R1001	32	Handle
OHM275L12	1SCA022832R4840	32	Handle
OHM65L6	1SCA022739R1070	32	Handle
OHRS1	1SCA109095R1001	29	Handle knob
OHRS1/1	1SCA109096R1001	29	Handle knob
OHRS12	1SCA108253R1001	29	Handle knob
OHRS2	1SCA108598R1001	29	Handle knob
OHRS2/1	1SCA108599R1001	29	Handle knob
OHRS3	1SCA108667R1001	29	Handle knob
OHRS3/1	1SCA108688R1001	29	Handle knob
OHRS9	1SCA108666R1001	29	Handle knob
OHRS9/1	1SCA108690R1001	29	Handle knob
OHSS1AH	1SCA105274R1001	30	Selector type handle
OHSS1AH1	1SCA105275R1001	30	Selector type handle
OHSS1PH	1SCA105276R1001	33	Selector type handle
OHSS1RH	1SCA105277R1001	33	Selector type handle
OHSS2AJ	1SCA105278R1001	30	Selector type handle
OHSS2AJ1	1SCA105279R1001	30	Selector type handle
OHSS2PJ	1SCA105280R1001	33	Selector type handle
OHSS2RJ	1SCA105281R1001	33	Selector type handle
OHSS3AH	1SCA105283R1001	30	Selector type handle
OHSS3AH1	1SCA105284R1001	30	Selector type handle
OHSS3PH	1SCA105285R1001	33	Selector type handle
OHSS3RH	1SCA105286R1001	33	Selector type handle
OHY125J12	1SCA022381R1720	31	Pistol type handle
OHY125J12T	1SCA022652R2310	31	Pistol type handle
OHY145J12	1SCA022381R2370	31	Pistol type handle
OHY145J12T	1SCA022652R2650	31	Pistol type handle
OHY150J12P	1SCA101586R1001	31	Pistol type handle
OHY175J12T	1SCA111508R1001	31	Pistol type handle
OHY200J12P	1SCA101587R1001	31	Pistol type handle
OHY200J12PT	1SCA111512R1001	31	Pistol type handle
OHY274J12	1SCA115919R1001	31	Pistol type handle
OHY275J12	1SCA022381R3180	31	Pistol type handle
OHY275J12E011	1SCA022460R7310	31	Pistol type handle
OHY330J12	1SCA115921R1001	31	Pistol type handle
OHY45J6	1SCA022380R8930	31	Pistol type handle
OHY65J6	1SCA022380R9820	31	Pistol type handle
OHY65J6E00S	1SCA022382R9930	32	Handle
OHY65J6T	1SCA022456R9540	31	Pistol type handle
OHY65J6TE00S	1SCA022688R0140	32	Handle
OHY80J6	1SCA022381R0410	31	Pistol type handle
OHY95J12	1SCA022381R1050	31	Pistol type handle
OHY95J12T	1SCA022736R1910	31	Pistol type handle
OHYS1AH	1SCA105290R1001	30	Selector type handle
OHYS1AH1	1SCA105291R1001	30	Selector type handle
OHYS1PH	1SCA105294R1001	33	Selector type handle
OHYS1RH	1SCA105295R1001	33	Selector type handle
OHYS2AJ	1SCA105296R1001	30	Selector type handle
OHYS2AJ1	1SCA105297R1001	30	Selector type handle
OHYS2PJ	1SCA105322R1001	33	Selector type handle
OHYS2RJ	1SCA105323R1001	33	Selector type handle
OHYS3AH	1SCA105325R1001	30	Selector type handle
OHYS3AH1	1SCA105326R1001	30	Selector type handle
OHYS3PH	1SCA105327R1001	33	Selector type handle
OHYS3RH	1SCA105328R1001	33	Selector type handle
OHZX10	1SCA022661R3610	36	Shaft alignment ring
OHZX11	1SCA022708R3170	36	Shaft alignment ring
OHZX14	1SCA022851R6590	36	Extension ring for pistol type handles
OHZX4	1SCA022467R2470	47	Door interlock bracket
OHZX5	1SCA22467R5060	34	Handle support
OHZX6	1SCA022559R5670	33	Pistol handle mounting kit
OPB2	1SCA022353R4110	34	Legend plate
OPB2EN1	1SCA022400R2070	34	Legend plate
OPB3	1SCA022679R3410	34	Legend plate
OPBS1	1SCA111519R1001	34	Legend plate
OPBS1EN1	1SCA111520R1001	34	Legend plate
OPG2	1SCA022353R4380	34	Legend plate

Type	Order number	Page	Description
OPG2EN1	1SCA022400R2310	34	Legend plate
OPGS1	1SCA111563R1001	34	Legend plate
OPGS1EN1	1SCA111526R1001	34	Legend plate
OPS2	1SCA022353R4460	34	Legend plate
OPS2EN1	1SCA022400R2230	34	Legend plate
OPSS1	1SCA111523R1001	34	Legend plate
OPSS1EN1	1SCA111525R1001	34	Legend plate
OPX3	1SCA022679R3500	34	Legend plate
OPX3/TEXT	1SCA022696R6370	34	Legend plate
OPX3DE1	1SCA022695R0700	34	Legend plate
OPX3EN1	1SCA022695R0610	34	Legend plate
OPX3F1	1SCA022695R0530	34	Legend plate
OPX3SE1	1SCA022695R0880	34	Legend plate
OPY2	1SCA022353R4200	34	Legend plate
OPY2EN1	1SCA022400R2740	34	Legend plate
OPY3	1SCA022695R0450	34	Legend plate
OPYS1	1SCA111528R1001	34	Legend plate
OPYS1EN1	1SCA111530R1001	34	Legend plate
OT1000E03K	1SCA108353R1001	21	Front operated switch-disconnector
OT1000E03N3P	1SCA100761R1001	20	Front operated switch-disconnector
OT1000E03P	1SCA022860R5930	20	Front operated switch-disconnector
OT1000E03W4P	1SCA022871R7310	22	Front operated switch-disconnector
OT1000E03W8P	1SCA022871R8110	22	Front operated switch-disconnector
OT1000E04K	1SCA108355R1001	21	Front operated switch-disconnector
OT1000E04P	1SCA022860R6150	20	Front operated switch-disconnector
OT1000E04W4P	1SCA100762R1001	22	Front operated switch-disconnector
OT1000E12P	1SCA022871R5520	20	Front operated switch-disconnector
OT1000E22P	1SCA022871R5610	20	Front operated switch-disconnector
OT1000EM03P	1SCA118937R1001	25	Earthing switch
OT1000EM04P	1SCA118950R1001	25	Earthing switch
OT1000EP03P	1SCA118451R1001	25	Earthing switch
OT1000EP04P	1SCA118452R1001	25	Earthing switch
OT100F3	1SCA105004R1001	18	Front operated switch-disconnector
OT100F3	1SCA105004R1001	23	Front operated, non-fusible disconnect switch
OT100F4N2	1SCA105018R1001	18	Front operated switch-disconnector
OT100F4N2	1SCA105018R1001	23	Front operated, non-fusible disconnect switch
OT100F6	1SCA105021R1001	18	Front operated switch-disconnector
OT100F8	1SCA105022R1001	18	Front operated switch-disconnector
OT100FT3	1SCA105023R1001	22	Front operated switch-disconnector
OT100FT4N2	1SCA105031R1001	22	Front operated switch-disconnector
OT1200U03P	1SCA022860R6910	23	Front operated, non-fusible disconnect switch
OT1200U04P	1SCA022860R7120	23	Front operated, non-fusible disconnect switch
OT1200U12P	1SCA022871R9270	23	Front operated, non-fusible disconnect switch
OT1200U22P	1SCA105654R1001	23	Front operated, non-fusible disconnect switch
OT1250E03K	1SCA108356R1001	21	Front operated switch-disconnector
OT1250E03N3P	1SCA022865R7060	20	Front operated switch-disconnector
OT1250E03P	1SCA022860R6230	20	Front operated switch-disconnector
OT1250E03W4P	1SCA022866R1920	22	Front operated switch-disconnector
OT1250E03W8P	1SCA022871R8540	22	Front operated switch-disconnector
OT1250E04K	1SCA108357R1001	21	Front operated switch-disconnector
OT1250E04P	1SCA022860R6310	20	Front operated switch-disconnector
OT1250E04W4P	1SCA022866R2220	22	Front operated switch-disconnector
OT1250E12P	1SCA022871R5790	20	Front operated switch-disconnector
OT1250E22P	1SCA022871R5870	20	Front operated switch-disconnector
OT1250EM03P	1SCA115708R1001	25	Earthing switch
OT1250EM03W4P	1SCA115805R1001	25	Earthing switch
OT1250EM03W8P	1SCA115810R1001	25	Earthing switch
OT1250EM04P	1SCA118949R1001	25	Earthing switch
OT1250EM04W4P	1SCA118940R1001	25	Earthing switch
OT1250EM04W8P	1SCA118941R1001	25	Earthing switch
OT1250EP03P	1SCA118453R1001	25	Earthing switch
OT1250EP04P	1SCA118454R1001	25	Earthing switch
OT125F3	1SCA105033R1001	18	Front operated switch-disconnector
OT125F4N2	1SCA105051R1001	18	Front operated switch-disconnector
OT125F6	1SCA105057R1001	18	Front operated switch-disconnector
OT125F8	1SCA105059R1001	18	Front operated switch-disconnector
OT125FL33	1SCA112372R1001	18	Front operated switch-disconnector
OT125FLA34	1SCA114832R1001	18	Front operated switch-disconnector
OT125FLB35	1SCA114833R1001	18	Front operated switch-disconnector
OT125FT3	1SCA105060R1001	22	Front operated switch-disconnector
OT125FT4N2	1SCA105066R1001	22	Front operated switch-disconnector
OT1600E03K	1SCA108352R1001	21	Front operated switch-disconnector
OT1600E03N3P	1SCA022865R6920	20	Front operated switch-disconnector
OT1600E03P	1SCA022860R6580	20	Front operated switch-disconnector
OT1600E03W4P	1SCA022865R9860	22	Front operated switch-disconnector
OT1600E03W8P	1SCA022871R8970	22	Front operated switch-disconnector
OT1600E04K	1SCA108358R1001	21	Front operated switch-disconnector
OT1600E04P	1SCA022860R6740	20	Front operated switch-disconnector
OT1600E04W4P	1SCA022866R1090	22	Front operated switch-disconnector
OT1600E12P	1SCA022871R5950	20	Front operated switch-disconnector

Type	Order number	Page	Description	Type	Order number	Page	Description
OT1600E22P	1SCA022871R6090	20	Front operated switch-disconnector	OT2500E13W8P	1SCA109286R1001	22	Front operated switch-disconnector
OT1600EM03P	1SCA115815R1001	25	Earthing switch	OT2500E22P	1SCA105156R1001	20	Front operated switch-disconnector
OT1600EM03W4P	1SCA115822R1001	25	Earthing switch	OT2500EM03P	1SCA115835R1001	25	Earthing switch
OT1600EM03W8P	1SCA115827R1001	25	Earthing switch	OT2500EM03W4P	1SCA115840R1001	25	Earthing switch
OT1600EM04P	1SCA118948R1001	25	Earthing switch	OT2500EM03W8P	1SCA115843R1001	25	Earthing switch
OT1600EM04W4P	1SCA118942R1001	25	Earthing switch	OT2500EM04P	1SCA118946R1001	25	Earthing switch
OT1600EM04W8P	1SCA118944R1001	25	Earthing switch	OT2500EM04W4P	1SCA118943R1001	25	Earthing switch
OT1600EP03P	1SCA118455R1001	25	Earthing switch	OT2500EM04W8P	1SCA118945R1001	25	Earthing switch
OT1600EP04P	1SCA118456R1001	25	Earthing switch	OT2500EP03P	1SCA118459R1001	25	Earthing switch
OT160E3	1SCA022257R5950	23	Front operated, non-fusible disconnect switch	OT2500EP04P	1SCA118460R1001	25	Earthing switch
OT160E3	1SCA022257R5950	18	Front operated switch-disconnector	OT250E03K	1SCA022763R5040	21	Front operated switch-disconnector
OT160E3-2	1SCA022297R4060	18	Front operated switch-disconnector	OT250E03P	1SCA022710R0100	19	Front operated switch-disconnector
OT160E4	1SCA022259R8060	23	Front operated, non-fusible disconnect switch	OT250E03WP	1SCA022744R3560	21	Front operated switch-disconnector
OT160E4	1SCA022259R8060	18	Front operated switch-disconnector	OT250E04K	1SCA022763R5210	21	Front operated switch-disconnector
OT160ET3	1SCA022350R1960	22	Front operated switch-disconnector	OT250E04P	1SCA022710R0520	19	Front operated switch-disconnector
OT160ET4	1SCA022460R6920	22	Front operated switch-disconnector	OT250E04WP	1SCA022744R3810	21	Front operated switch-disconnector
OT160EV03P	1SCA120514R1001	19	Front operated switch-disconnector	OT250E12P	1SCA022721R4110	19	Front operated switch-disconnector
OT160EV03WP	1SCA120517R1001	21	Front operated switch-disconnector	OT250E12WP	1SCA022745R0000	21	Front operated switch-disconnector
OT160EV04P	1SCA120521R1001	19	Front operated switch-disconnector	OT250E22P	1SCA022721R4290	19	Front operated switch-disconnector
OT160EV04WP	1SCA120523R1001	21	Front operated switch-disconnector	OT250E22WP	1SCA022745R0180	21	Front operated switch-disconnector
OT160EV12P	1SCA120529R1001	19	Front operated switch-disconnector	OT250ES03	1SCA022860R0890	24	Side operated switch-disconnector
OT160EV12WP	1SCA120606R1001	21	Front operated switch-disconnector	OT250ES03K	1SCA022860R0970	24	Side operated switch-disconnector
OT160EV22P	1SCA120537R1001	19	Front operated switch-disconnector	OT250ES04	1SCA022860R1010	24	Side operated switch-disconnector
OT160EV22WP	1SCA120539R1001	21	Front operated switch-disconnector	OT250ES04K	1SCA022860R1190	24	Side operated switch-disconnector
OT160EVS03	1SCA120563R1001	24	Side operated switch-disconnector	OT25F3	1SCA104857R1001	18	Front operated switch-disconnector
OT160EVS03K	1SCA120570R1001	24	Side operated switch-disconnector	OT25F3	1SCA104857R1001	23	Front operated, non-fusible disconnect switch
OT160EVS04	1SCA120564R1001	24	Side operated switch-disconnector	OT25F4N2	1SCA104886R1001	18	Front operated switch-disconnector
OT160EVS04K	1SCA120565R1001	24	Side operated switch-disconnector	OT25F4N2	1SCA104886R1001	23	Front operated, non-fusible disconnect switch
OT16F3	1SCA104811R1001	18	Front operated switch-disconnector	OT25F6	1SCA104880R1001	18	Front operated switch-disconnector
OT16F3	1SCA104811R1001	23	Front operated, non-fusible disconnect switch	OT25F8	1SCA104882R1001	18	Front operated switch-disconnector
OT16F4N2	1SCA104829R1001	18	Front operated switch-disconnector	OT25FT3	1SCA104884R1001	22	Front operated switch-disconnector
OT16F4N2	1SCA104829R1001	23	Front operated, non-fusible disconnect switch	OT25FT3	1SCA104884R1001	23	Front operated, non-fusible disconnect switch
OT16F6	1SCA104834R1001	18	Front operated switch-disconnector	OT25FT4N2	1SCA104900R1001	22	Front operated switch-disconnector
OT16F8	1SCA104836R1001	18	Front operated switch-disconnector	OT25FT4N2	1SCA104900R1001	23	Front operated, non-fusible disconnect switch
OT16FT3	1SCA104838R1001	22	Front operated switch-disconnector	OT30F3	1SCA105068R1001	23	Front operated, non-fusible disconnect switch
OT16FT3	1SCA104838R1001	23	Front operated, non-fusible disconnect switch	OT30F4N2	1SCA108347R1001	23	Front operated, non-fusible disconnect switch
OT16FT4N2	1SCA105711R1001	22	Front operated switch-disconnector	OT315E03K	1SCA022763R5630	21	Front operated switch-disconnector
OT16FT4N2	1SCA105711R1001	23	Front operated, non-fusible disconnect switch	OT315E03P	1SCA022718R8510	19	Front operated switch-disconnector
OT2000E03K	1SCA108359R1001	21	Front operated switch-disconnector	OT315E03WP	1SCA022809R8650	21	Front operated switch-disconnector
OT2000E03N3P	1SCA108037R1001	20	Front operated switch-disconnector	OT315E04K	1SCA022763R5710	21	Front operated switch-disconnector
OT2000E03P	1SCA108036R1001	20	Front operated switch-disconnector	OT315E04P	1SCA022719R1730	19	Front operated switch-disconnector
OT2000E03W4P	1SCA108042R1001	22	Front operated switch-disconnector	OT315E04WP	1SCA022809R8900	21	Front operated switch-disconnector
OT2000E03W8P	1SCA108045R1001	22	Front operated switch-disconnector	OT315E12P	1SCA022727R4190	19	Front operated switch-disconnector
OT2000E04K	1SCA108362R1001	21	Front operated switch-disconnector	OT315E12WP	1SCA022809R9380	21	Front operated switch-disconnector
OT2000E04P	1SCA108038R1001	20	Front operated switch-disconnector	OT315E22P	1SCA022727R4270	19	Front operated switch-disconnector
OT2000E12P	1SCA108039R1001	20	Front operated switch-disconnector	OT315E22WP	1SCA022810R0900	21	Front operated switch-disconnector
OT2000E13W4P	1SCA109284R1001	22	Front operated switch-disconnector	OT315ES03	1SCA022860R1270	24	Side operated switch-disconnector
OT2000E13W8P	1SCA109283R1001	22	Front operated switch-disconnector	OT315ES03K	1SCA022860R1350	24	Side operated switch-disconnector
OT2000E22P	1SCA108041R1001	20	Front operated switch-disconnector	OT315ES04	1SCA022860R1510	24	Side operated switch-disconnector
OT2000EM03P	1SCA118939R1001	25	Earthing switch	OT315ES04K	1SCA022860R1600	24	Side operated switch-disconnector
OT2000EM04P	1SCA118947R1001	25	Earthing switch	OT400E03K	1SCA022763R5390	21	Front operated switch-disconnector
OT2000EP03P	1SCA118457R1001	25	Earthing switch	OT400E03P	1SCA022718R8780	19	Front operated switch-disconnector
OT2000EP04P	1SCA118458R1001	25	Earthing switch	OT400E03WP	1SCA022809R8310	21	Front operated switch-disconnector
OT200E03K	1SCA022763R4820	21	Front operated switch-disconnector	OT400E04K	1SCA022763R5550	21	Front operated switch-disconnector
OT200E03P	1SCA022712R0800	19	Front operated switch-disconnector	OT400E04P	1SCA022719R1810	19	Front operated switch-disconnector
OT200E03WP	1SCA022744R2670	21	Front operated switch-disconnector	OT400E04WP	1SCA022809R8810	21	Front operated switch-disconnector
OT200E04K	1SCA022763R4910	21	Front operated switch-disconnector	OT400E12P	1SCA022727R5750	19	Front operated switch-disconnector
OT200E04P	1SCA022713R4930	19	Front operated switch-disconnector	OT400E12WP	1SCA022809R9200	21	Front operated switch-disconnector
OT200E04WP	1SCA022744R3130	21	Front operated switch-disconnector	OT400E22P	1SCA022727R5830	19	Front operated switch-disconnector
OT200E12P	1SCA022721R3990	19	Front operated switch-disconnector	OT400E22WP	1SCA022810R0570	21	Front operated switch-disconnector
OT200E12WP	1SCA022744R2910	21	Front operated switch-disconnector	OT400ES03	1SCA022860R1780	24	Side operated switch-disconnector
OT200E22P	1SCA022721R4020	19	Front operated switch-disconnector	OT400ES03K	1SCA022860R1860	24	Side operated switch-disconnector
OT200E22WP	1SCA022744R3300	21	Front operated switch-disconnector	OT400ES04	1SCA022860R1940	24	Side operated switch-disconnector
OT200ES03	1SCA022860R0200	24	Side operated switch-disconnector	OT400ES04K	1SCA022860R2080	24	Side operated switch-disconnector
OT200ES03K	1SCA022860R0620	24	Side operated switch-disconnector	OT400U03P	1SCA022718R9670	23	Front operated, non-fusible disconnect switch
OT200ES04	1SCA022860R0540	24	Side operated switch-disconnector	OT400U04P	1SCA022719R1900	23	Front operated, non-fusible disconnect switch
OT200ES04K	1SCA022860R0710	24	Side operated switch-disconnector	OT400U12P	1SCA022754R6960	23	Front operated, non-fusible disconnect switch
OT200U03P	1SCA022709R9920	23	Front operated, non-fusible disconnect switch	OT400U22P	1SCA022762R7290	23	Front operated, non-fusible disconnect switch
OT200U04P	1SCA022710R0610	23	Front operated, non-fusible disconnect switch	OT40F3	1SCA104902R1001	18	Front operated switch-disconnector
OT200U12P	1SCA022752R2010	23	Front operated, non-fusible disconnect switch	OT40F3	1SCA104902R1001	23	Front operated, non-fusible disconnect switch
OT200U22P	1SCA022741R8880	23	Front operated, non-fusible disconnect switch	OT40F4N2	1SCA104932R1001	18	Front operated switch-disconnector
OT2500E03K	1SCA108361R1001	21	Front operated switch-disconnector	OT40F4N2	1SCA104932R1001	23	Front operated, non-fusible disconnect switch
OT2500E03N3P	1SCA108035R1001	20	Front operated switch-disconnector	OT40F6	1SCA104936R1001	18	Front operated switch-disconnector
OT2500E03P	1SCA104972R1001	20	Front operated switch-disconnector	OT40F8	1SCA104938R1001	18	Front operated switch-disconnector
OT2500E03W4P	1SCA108047R1001	22	Front operated switch-disconnector	OT40FT3	1SCA104940R1001	22	Front operated switch-disconnector
OT2500E03W8P	1SCA108049R1001	22	Front operated switch-disconnector	OT40FT3	1SCA104940R1001	23	Front operated, non-fusible disconnect switch
OT2500E04K	1SCA108363R1001	21	Front operated switch-disconnector	OT40FT4N2	1SCA104956R1001	22	Front operated switch-disconnector
OT2500E04P	1SCA105140R1001	20	Front operated switch-disconnector	OT40FT4N2	1SCA104956R1001	23	Front operated, non-fusible disconnect switch
OT2500E12P	1SCA104978R1001	20	Front operated switch-disconnector	OT600U03P	1SCA022718R9830	23	Front operated, non-fusible disconnect switch
OT2500E13W4P	1SCA109285R1001	22	Front operated switch-disconnector	OT600U04P	1SCA022719R2200	23	Front operated, non-fusible disconnect switch

Type	Order number	Page	Description
OT600U12P	1SCA022753R7710	23	Front operated, non-fusible disconnect switch
OT600U22P	1SCA022753R7890	23	Front operated, non-fusible disconnect switch
OT60F3	1SCA105076R1001	23	Front operated, non-fusible disconnect switch
OT60F4N2	1SCA108348R1001	23	Front operated, non-fusible disconnect switch
OT630E03K	1SCA022779R4940	21	Front operated switch-disconnector
OT630E03N3P	1SCA022779R4860	19	Front operated switch-disconnector
OT630E03P	1SCA022718R8940	19	Front operated switch-disconnector
OT630E04K	1SCA022779R5080	21	Front operated switch-disconnector
OT630E04P	1SCA022719R2030	19	Front operated switch-disconnector
OT630E12P	1SCA022753R4790	19	Front operated switch-disconnector
OT630E22P	1SCA022753R4870	19	Front operated switch-disconnector
OT630ES03	1SCA022860R2240	24	Side operated switch-disconnector
OT630ES03K	1SCA022860R2320	24	Side operated switch-disconnector
OT630ES04	1SCA022860R2410	24	Side operated switch-disconnector
OT630ES04K	1SCA022860R2590	24	Side operated switch-disconnector
OT63F3	1SCA105332R1001	18	Front operated switch-disconnector
OT63F3	1SCA105332R1001	23	Front operated, non-fusible disconnect switch
OT63F4N2	1SCA105365R1001	18	Front operated switch-disconnector
OT63F4N2	1SCA105365R1001	23	Front operated, non-fusible disconnect switch
OT63F6	1SCA105379R1001	18	Front operated switch-disconnector
OT63F8	1SCA105381R1001	18	Front operated switch-disconnector
OT63FT3	1SCA105382R1001	22	Front operated switch-disconnector
OT63FT3	1SCA105382R1001	23	Front operated, non-fusible disconnect switch
OT63FT4N2	1SCA105393R1001	22	Front operated switch-disconnector
OT63FT4N2	1SCA105393R1001	23	Front operated, non-fusible disconnect switch
OT800E03K	1SCA022779R5160	21	Front operated switch-disconnector
OT800E03N3P	1SCA022779R4780	19	Front operated switch-disconnector
OT800E03P	1SCA022718R9410	19	Front operated switch-disconnector
OT800E04K	1SCA022779R5240	21	Front operated switch-disconnector
OT800E04P	1SCA022719R2110	19	Front operated switch-disconnector
OT800E12P	1SCA022753R5170	19	Front operated switch-disconnector
OT800E22P	1SCA022753R5250	19	Front operated switch-disconnector
OT800ES03	1SCA022860R2670	24	Side operated switch-disconnector
OT800ES03K	1SCA022860R2750	24	Side operated switch-disconnector
OT800ES04	1SCA022860R2830	24	Side operated switch-disconnector
OT800ES04K	1SCA022860R2910	24	Side operated switch-disconnector
OT800U03P	1SCA105665R1001	23	Front operated, non-fusible disconnect switch
OT800U04P	1SCA105667R1001	23	Front operated, non-fusible disconnect switch
OT800U12P	1SCA106128R1001	23	Front operated, non-fusible disconnect switch
OT800U22P	1SCA106125R1001	23	Front operated, non-fusible disconnect switch
OT80F3	1SCA105798R1001	18	Front operated switch-disconnector
OT80F3	1SCA105798R1001	23	Front operated, non-fusible disconnect switch
OT80F4N2	1SCA105413R1001	18	Front operated switch-disconnector
OT80F4N2	1SCA105413R1001	23	Front operated, non-fusible disconnect switch
OT80F6	1SCA105427R1001	18	Front operated switch-disconnector
OT80F8	1SCA105429R1001	18	Front operated switch-disconnector
OT80FT3	1SCA105431R1001	22	Front operated switch-disconnector
OT80FT3	1SCA105431R1001	23	Front operated, non-fusible disconnect switch
OT80FT4N2	1SCA105499R1001	22	Front operated switch-disconnector
OT80FT4N2	1SCA105499R1001	23	Front operated, non-fusible disconnect switch
OTB1600/6	1SCA100788R1001	42	Phase separator
OTB800/6	1SCA022821R7760	42	Phase separator
OTM1000E3M230C	1SCA115364R1001	26	Motorized switch-disconnector
OTM1000E4M230C	1SCA115368R1001	26	Motorized switch-disconnector
OTM1250E3M230C	1SCA115365R1001	26	Motorized switch-disconnector
OTM1250E4M230C	1SCA115367R1001	26	Motorized switch-disconnector
OTM1600E3M230C	1SCA115366R1001	26	Motorized switch-disconnector
OTM1600E4M230C	1SCA115369R1001	26	Motorized switch-disconnector
OTM160E3M230C	1SCA115283R1001	26	Motorized switch-disconnector
OTM160E3WM230C	1SCA115286R1001	26	Motorized switch-disconnector
OTM160E4M230C	1SCA115293R1001	26	Motorized switch-disconnector
OTM160E4WM230C	1SCA115295R1001	26	Motorized switch-disconnector
OTM2000E3M230C	1SCA115372R1001	26	Motorized switch-disconnector
OTM2000E4M230C	1SCA115374R1001	26	Motorized switch-disconnector
OTM200E3M230C	1SCA115284R1001	26	Motorized switch-disconnector
OTM200E3WM230C	1SCA115288R1001	26	Motorized switch-disconnector
OTM200E4M230C	1SCA115292R1001	26	Motorized switch-disconnector
OTM200E4WM230C	1SCA115296R1001	26	Motorized switch-disconnector
OTM2500E3M230C	1SCA115373R1001	26	Motorized switch-disconnector
OTM2500E4M230C	1SCA115375R1001	26	Motorized switch-disconnector
OTM250E3M230C	1SCA115285R1001	26	Motorized switch-disconnector
OTM250E3WM230C	1SCA115289R1001	26	Motorized switch-disconnector
OTM250E4M230C	1SCA115290R1001	26	Motorized switch-disconnector
OTM250E4WM230C	1SCA115297R1001	26	Motorized switch-disconnector
OTM315E3M230C	1SCA115334R1001	26	Motorized switch-disconnector
OTM315E4M230C	1SCA115335R1001	26	Motorized switch-disconnector
OTM400E3M230C	1SCA115333R1001	26	Motorized switch-disconnector
OTM400E4M230C	1SCA115336R1001	26	Motorized switch-disconnector
OTM630E3M230C	1SCA115354R1001	26	Motorized switch-disconnector
OTM630E4M230C	1SCA115357R1001	26	Motorized switch-disconnector

Type	Order number	Page	Description
OTM800E3M230C	1SCA115355R1001	26	Motorized switch-disconnector
OTM800E4M230C	1SCA115356R1001	26	Motorized switch-disconnector
OTPD125FP	1SCA105083R1001	40	Neutral and earth terminal
OTPD40FP	1SCA104994R1001	40	Neutral and earth terminal
OTPD80FD	1SCA105444R1001	40	Neutral and earth terminal
OTPD80FP	1SCA105445R1001	40	Neutral and earth terminal
OTPE125FD	1SCA105698R1001	40	Neutral and earth terminal
OTPE125FP	1SCA105128R1001	40	Neutral and earth terminal
OTPE160EP	1SCA022345R0010	40	Neutral and earth terminal
OTPE40FD	1SCA109884R1001	40	Neutral and earth terminal
OTPE40FP	1SCA104995R1001	40	Neutral and earth terminal
OTPE80FD	1SCA105446R1001	40	Neutral and earth terminal
OTPE80FP	1SCA105448R1001	40	Neutral and earth terminal
OTPL125FD	1SCA105088R1001	40	Fourth pole
OTPL125FP	1SCA105090R1001	40	Fourth pole
OTPL40FD	1SCA105716R1001	40	Fourth pole
OTPL40FP	1SCA105717R1001	40	Fourth pole
OTPL80FD	1SCA105451R1001	40	Fourth pole
OTPL80FP	1SCA105452R1001	40	Fourth pole
OTPN125FD	1SCA105092R1001	40	Neutral and earth terminal
OTPN125FP	1SCA105094R1001	40	Neutral and earth terminal
OTPN160EP	1SCA022344R9510	40	Neutral and earth terminal
OTPN40FD	1SCA105718R1001	40	Neutral and earth terminal
OTPN40FP	1SCA104997R1001	40	Neutral and earth terminal
OTPN80FD	1SCA105456R1001	40	Neutral and earth terminal
OTPN80FP	1SCA105457R1001	40	Neutral and earth terminal
OTPS125FD	1SCA105096R1001	40	Fourth pole
OTPS125FP	1SCA105099R1001	40	Fourth pole
OTPS160EP	1SCA022325R7360	40	Fourth pole
OTPS40FDN1	1SCA104999R1001	40	Fourth pole
OTPS40FDN2	1SCA104998R1001	40	Fourth pole
OTPS40FPN1	1SCA105001R1001	40	Fourth pole
OTPS40FPN2	1SCA105000R1001	40	Fourth pole
OTPS80FD	1SCA105458R1001	40	Fourth pole
OTPS80FP	1SCA105461R1001	40	Fourth pole
OTS125T1	1SCA022379R9760	41	Terminal shroud
OTS125T1P	1SCA022491R9970	41	Terminal shroud
OTS125T3	1SCA022379R9680	41	Terminal shroud
OTS125T3P	1SCA022491R9890	41	Terminal shroud
OTS1600G1L/3	1SCA022871R9510	41	Terminal shroud
OTS1600G1L/4	1SCA022871R9780	41	Terminal shroud
OTS1600G1S/3	1SCA022871R9600	41	Terminal shroud
OTS1600G1S/4	1SCA022871R9860	41	Terminal shroud
OTS160T1	1SCA022691R2010	41	Terminal shroud
OTS160T3	1SCA022495R4610	41	Terminal shroud
OTS160T4	1SCA022495R4700	41	Terminal shroud
OTS2500G1L/3	1SCA107261R1001	41	Terminal shroud
OTS2500G1L/4	1SCA107262R1001	41	Terminal shroud
OTS2500G1S/3	1SCA107260R1001	41	Terminal shroud
OTS2500G1S/4	1SCA107271R1001	41	Terminal shroud
OTS250G1L/3	1SCA022731R8150	41	Terminal shroud
OTS250G1L/4	1SCA022731R8230	41	Terminal shroud
OTS250G1S/3	1SCA022731R8310	41	Terminal shroud
OTS250G1S/4	1SCA022731R8400	41	Terminal shroud
OTS400G1L/3	1SCA022736R8840	41	Terminal shroud
OTS400G1L/4	1SCA022736R9490	41	Terminal shroud
OTS400G1S/3	1SCA022736R9060	41	Terminal shroud
OTS400G1S/4	1SCA022736R9650	41	Terminal shroud
OTS40T1	1SCA105314R1001	41	Terminal shroud
OTS40T3	1SCA105317R1001	41	Terminal shroud
OTS63T1	1SCA022353R6910	41	Terminal shroud
OTS63T3	1SCA022353R6750	41	Terminal shroud
OTS800G1L/3	1SCA022776R7890	41	Terminal shroud
OTS800G1L/4	1SCA022776R7970	41	Terminal shroud
OTS800G1S/3	1SCA022776R8190	41	Terminal shroud
OTS800G1S/4	1SCA022776R8270	41	Terminal shroud
OTV1000EK	1SCA106608R1001	32	Handle
OTV100EPK	1SCA121085R1001	32	Handle
OTV250EK	1SCA022763R2700	32	Handle
OTV400EK	1SCA022763R2960	32	Handle
OTV800EK	1SCA022804R6340	32	Handle
OTVS1	1SCA111413R1001	42	Handle and spare fuse storage clip
OTVS2	1SCA111414R1001	42	Handle and spare fuse storage clip
OTVY250EK	1SCA022772R7910	32	Handle
OTVY400EK	1SCA022772R7830	32	Handle
OTVY800EK	1SCA022810R2780	32	Handle
OTZ1250E	1SCA103765R1001	40	Fourth pole
OTZ1600E	1SCA100431R1001	40	Fourth pole
OTZ2500E	1SCA107931R1001	40	Fourth pole
OTZ250E	1SCA022735R9420	40	Fourth pole

Type	Order number	Page	Description	Type	Order number	Page	Description
OTZ400E	1SCA022749R1960	40	Fourth pole	OZG71	1SCA111686R1001	36	Shaft alignment ring
OTZ800E	1SCA022807R5100	40	Fourth pole	OZXB1L	1SCA022169R2030	43	Terminal clamp
OTZL4	1SCA116554R1001	49	Mechanical interlock	OZXB1L/1	1SCA022194R0030	43	Terminal clamp
OTZM4A	1SCA118510R1001	49	Mechanical interlock	OZXB2	1SCA022119R7610	43	Terminal clamp
OTZM4L	1SCA118511R1001	49	Mechanical interlock	OZXB2/1	1SCA022194R0200	43	Terminal clamp
OTZNA1-160E4	1SCA022271R8310	40	Fourth pole	OZXB2K	1SCA022264R0010	41	Terminal shroud
OTZT1A	1SCA106522R1001	48	Mechanism interlock kit & Electrical interlock	OZXB2L	1SCA022158R7750	43	Terminal clamp
OTZT1L	1SCA106527R1001	48	Mechanism interlock kit & Electrical interlock	OZXB2L/1	1SCA022194R0460	43	Terminal clamp
OTZT2A	1SCA106523R1001	48	Mechanism interlock kit & Electrical interlock	OZXB3	1SCA022136R8100	43	Terminal clamp
OTZT2L	1SCA106529R1001	48	Mechanism interlock kit & Electrical interlock	OZXB3/1	1SCA022194R0620	43	Terminal clamp
OTZT3A	1SCA106525R1001	48	Mechanism interlock kit & Electrical interlock	OZXB3K	1SCA022264R0440	41	Terminal shroud
OTZT3L	1SCA106530R1001	48	Mechanism interlock kit & Electrical interlock	OZXB4	1SCA022137R4760	43	Terminal clamp
OTZT4A	1SCA106526R1001	48	Mechanism interlock kit & Electrical interlock	OZXB4/1	1SCA022194R0890	43	Terminal clamp
OTZT4L	1SCA106531R1001	48	Mechanism interlock kit & Electrical interlock	OZXB4K	1SCA022199R2850	41	Terminal shroud
OTZW10	1SCA022431R5280	45	Conversion kit	OZXB5	1SCA022137R2470	43	Terminal clamp
OTZW17	1SCA022387R1620	45	Conversion kit	OZXB5/1	1SCA022194R1010	43	Terminal clamp
OTZW24	1SCA022639R5610	45	Conversion kit	OZXB5K	1SCA022283R8040	41	Terminal shroud
OTZW25	1SCA022778R6920	45	Conversion kit	OZXB6	1SCA022137R4920	43	Terminal clamp
OTZW26	1SCA022778R7060	45	Conversion kit	OZXB6/1	1SCA022194R1270	43	Terminal clamp
OTZW8	1SCA022421R7600	45	Conversion kit	OZXB7	1SCA022185R0040	43	Terminal clamp
OWP6D125	1SCA022865R5100	45	Conversion kit	OZXB7/1	1SCA022194R1430	43	Terminal clamp
OWP6D40	1SCA022865R4800	45	Conversion kit	OZXB7L	1SCA022185R7130	43	Terminal clamp
OWP6D80	1SCA022865R5010	45	Conversion kit	OZXB7L/1	1SCA022194R1600	43	Terminal clamp
OX6X105	1SCA111930R1001	35	Shaft	OZXB8	1SCA022744R1510	43	Terminal clamp
OX6X115	1SCA111931R1001	35	Shaft	OZXB8/1	1SCA022744R1600	43	Terminal clamp
OX6X130	1SCA111460R1001	35	Shaft	OZXB9	1SCA022750R3210	43	Terminal clamp
OX6X155	1SCA111275R1001	35	Shaft	OZXB9/1	1SCA022750R3300	43	Terminal clamp
OX6X200	1SCA111932R1001	35	Shaft	OZXE21	1SCA022161R8810	44	Busbar connection
OX6X300	1SCA111933R1001	35	Shaft	OZXK1	1SCA022131R8690	38	Auxiliary contact
OX6X60	1SCA111459R1001	35	Shaft	OZXK2	1SCA022131R8850	38	Auxiliary contact
OX6X85	1SCA111274R1001	35	Shaft	OZXK3	1SCA022131R9070	38	Auxiliary contact
OXN1250T	1SCA104162R1001	40	Neutral link	OZXK4	1SCA022131R9230	38	Auxiliary contact
OXN250	1SCA022752R9950	40	Neutral link	OZXK5	1SCA022131R9400	38	Auxiliary contact
OXN400	1SCA022770R3060	40	Neutral link	OZXK6	1SCA022131R9660	38	Auxiliary contact
OXN800T	1SCA022829R0840	40	Neutral link	OZXL1	1SCA022439R6770	43	Terminal clamp
OXP12X166	1SCA022325R7100	35	Shaft	OZXL1/1	1SCA022469R6220	43	Terminal clamp
OXP12X185	1SCA022325R6710	35	Shaft	OZXP240	1SCA115542R1001	44	Terminal clamp
OXP12X250	1SCA022325R6980	35	Shaft	OZXP2X240	1SCA115544R1001	44	Terminal clamp
OXP12X250-45	1SCA022299R9400	36	Shaft	OZXP95	1SCA115539R1001	44	Terminal clamp
OXP12X280	1SCA022131R75140	35	Shaft	OZXR185	1SCA115531R1001	44	Terminal clamp
OXP12X280-45	1SCA022382R0800	36	Shaft	OZXR240	1SCA115532R1001	44	Terminal clamp
OXP12X325	1SCA022042R5810	35	Shaft	OZXR2X185	1SCA115534R1001	44	Terminal clamp
OXP12X325-45	1SCA022304R4450	36	Shaft	OZXR2X300	1SCA115535R1001	44	Terminal clamp
OXP12X395	1SCA022042R5990	35	Shaft	OZXR300	1SCA115533R1001	44	Terminal clamp
OXP12X395-45	1SCA022749R0640	36	Shaft	OZXR95	1SCA115530R1001	44	Terminal clamp
OXP12X465	1SCA022042R6020	35	Shaft	OZXT1	1SCA022469R6310	43	Terminal clamp
OXP12X465-45	1SCA022423R1770	36	Shaft	OZXT2	1SCA022620R7200	43	Terminal clamp
OXP12X535	1SCA022042R6110	35	Shaft	OZXT3	1SCA022639R0720	43	Terminal clamp
OXP12X535-45	1SCA022723R2940	36	Shaft	PB100 low	1SDA054970R1	42	Phase barrier
OXP6X130	1SCA022057R0570	35	Shaft	PB100 low	1SDA054971R1	42	Phase barrier
OXP6X130-45	1SCA022355R9110	36	Shaft	PB200 high	1SDA054972R1	42	Phase barrier
OXP6X150	1SCA022295R5600	35	Shaft	PB200 high	1SDA054973R1	42	Phase barrier
OXP6X150-45	1SCA022294R4400	36	Shaft	PDAL2/110AC50Hz	1SCA106543R1001	49	Coil
OXP6X161	1SCA022067R1760	35	Shaft	PDAL2/110AC60Hz	1SCA107100R1001	49	Coil
OXP6X170	1SCA108224R1001	35	Shaft	PDAL2/110DC	1SCA107105R1001	49	Coil
OXP6X170-45	1SCA108227R1001	36	Shaft	PDAL2/120AC60Hz	1SCA111353R1001	49	Coil
OXP6X210	1SCA022295R6080	35	Shaft	PDAL2/125DC	1SCA111338R1001	49	Coil
OXP6X210-45	1SCA022294R4230	36	Shaft	PDAL2/208AC60Hz	1SCA107101R1001	49	Coil
OXP6X265	1SCA108225R1001	35	Shaft	PDAL2/220DC	1SCA112503R1001	49	Coil
OXP6X265-45	1SCA108228R1001	36	Shaft	PDAL2/230AC50Hz	1SCA107102R1001	49	Coil
OXP6X290	1SCA022042R6370	35	Shaft	PDAL2/240AC60Hz	1SCA111356R1001	49	Coil
OXP6X290-45	1SCA022304R4290	36	Shaft	PDAL2/24AC60Hz	1SCA111350R1001	49	Coil
OXP6X400	1SCA108226R1001	35	Shaft	PDAL2/24DC	1SCA106542R1001	49	Coil
OXP6X400-45	1SCA108229R1001	36	Shaft	PDAL2/48DC	1SCA107103R1001	49	Coil
OXS6X105	1SCA108043R1001	35	Shaft	PDAL2/60DC	1SCA107104R1001	49	Coil
OXS6X120	1SCA101654R1001	35	Shaft	SA1	GJF1 101 903 R000	47	Locking accessory
OXS6X130	1SCA101655R1001	35	Shaft	ST	1SCA022407R8210	34	Labelling accessory
OXS6X160	1SCA101656R1001	35	Shaft	ST-E	1SCA022407R8300	34	Labelling accessory
OXS6X180	1SCA101659R1001	35	Shaft	YASDA21	1SCA022098R9420	32	Handle
OXS6X250	1SCA101660R1001	35	Shaft	YASDA35	1SCA104400R1001	32	Handle
OXS6X330	1SCA101661R1001	35	Shaft	YASDA6	1SCA022071R2890	32	Handle
OXS6X85	1SCA101647R1001	35	Shaft	YASDA7	1SCA022071R3010	32	Handle
OXT20x210X	1SCA103684R1001	36	Shaft tube	YASDA8	1SCA022071R3270	32	Handle
OZB9	1SCA022750R3210	43	Terminal clamp	YAST1	1SCA022301R5350	29	Handle knob
OZ331P67B	1SCA111427R1001	30	Round padlockable handle				
OZ331P67RY	1SCA111429R1001	30	Round padlockable handle				
OZ331SPB	1SCA112983R1001	30	Round padlockable handle				
OZ331SPRY	1SCA113097R1001	30	Round padlockable handle				
OZ371PB	1SCA111684R1001	30	Round padlockable handle				
OZ371PRY	1SCA111685R1001	30	Round padlockable handle				

Contact us

ABB Oy

Low Voltage Switches

P.O. Box 622

FI-65101 Vaasa, Finland

Phone: +358 10 22 11

Fax: +358 10 22 45708

E-Mail: firstname.surname@fi.abb.com

www.abb.com

The technical data and dimensions are valid at the time of printing. We reserve the right to subsequent alterations.

