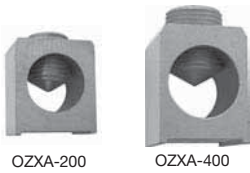


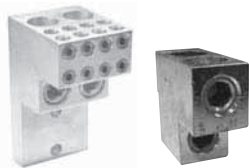


# Accessories for 200 – 2000A Non-fusible disconnect switches



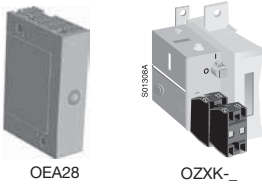
OZXA-200

OZXA-400



OZXA-32

OZXA-800

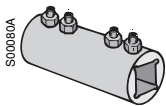


OEA28

OZXA-800



OTS\_L\_



OETL-ZX95

## Terminal lug kits

For use on:	Wire size	Wire type	Terminal lugs per kit	Kit catalog number	List price
OT200	#4 – 300 kcmil	Cu/Al	6	OZXA-200	
	(6)#14 – #6 AWG	Cu/Al	3	OZXA-206T	
OT400	#2 – 600 kcmil	Cu/Al	6	OZXA-400	
	(2) #2 – 300 kcmil	Cu/Al	6	OZXA-402	
	(6) #14 – #6 AWG	Cu/Al	3	OZXA-406	
	(2) #4 – 500 kcmil	Cu/Al	6	OZXA-33	
OT600	(2) #2 – 600 kcmil	Cu/Al	6	OZXA-800	
OT800, OT1200	(4) #2 – 600 kcmil	Cu/Al	6	OZXA-1200	
OETL-NF1600	(4) #1/0 – 750 kcmil	Cu/Al	6	DSK8TL	
OETL-NF2000	(6) #1/0 – 750 kcmil	Cu/Al	6	DSK8TM	
OETL-NF800,NF1200,NF1600	(8) 2/0+(2)#2 – 600 kcmil	Cu/Al	3	OZXA-32	

## Auxiliary contacts

Description	For use on:	AC thermal amp rating	AC rated voltage	Catalog number <sup>①</sup>	List price
1 N.O. 1 N.C. Module for aux. contacts	OT200-1200	10	600	OA1G10	
		10	600	OA3G01	
		10	600	OEA28	
1 N.O. + 1 N.C. 2 N.O. + 2 N.C. 4 N.O. + 4 N.C.	OETL-NF1600 & OETL-NF2000	10	600	OZXA-1	
		10	600	OZXA-2	
		10	600	OZXA-3	

① Mounting on the side of the switch: max. 8 auxiliary contact blocks with the OEA28 module

Mounting under the mechanism cover: OT200: Max. 4 test contacts or 2 test contacts + 2 test indication contacts.

OT400-600: Max. 4 test contacts + 4 test indication contacts. OT800-1200: Max 4 test indication contacts + 8 test contacts. The test contacts can be used as standard auxiliary contacts as well.

## Detachable neutral links

Description	For use on:	AC thermal amp rating	AC rated voltage	Catalog number	List price
Mounting separately on baseplate protected construction	OT200	200	600	OXN250	
	OT400	400	600	OXN400	
	OT600	600	600	OXN800T	

## Terminal shrouds (Snap-on mounting, grey plastic, IP30) <sup>②</sup> For both line and load sides

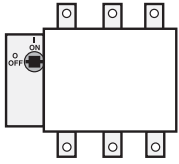
For use on:	Lug type	Qty per pkg	Quantity for full protection (pcs.) <sup>②</sup>	Catalog number	List price
OT200U03	OZXA-200	3 x 1P	2	OTS250G1L/3	
	OZXA-200	3 x 1P	2	OTS250G1L/3	
OT400U03	OZXA-400	1 x 3P	2	OTS403	
	OZXA-402	1 x 3P	2	OTS403	
OT400U03	OZXA-33	1 x 3P	2	OETL-ZX94	
	OZXA-33	1 x 3P	2	OETL-ZX94	
OT600U03	OZXA-800	1 x 3P	2	OTS603	
OT800 -1200	OZXA-800	3 x 1P	2	OTS1600G1L/3	
OT800 -1200	OZXA-1200	3 x 1P	2	OTS1600G1L/3	

## Shaft extension coupler

Description	For use on:	Catalog number	List price
Joins two shafts together for applications where extended length is required	6mm shafts	OESA-ZX167	
	12mm shafts	OETL-ZX95	

## Mounting feet

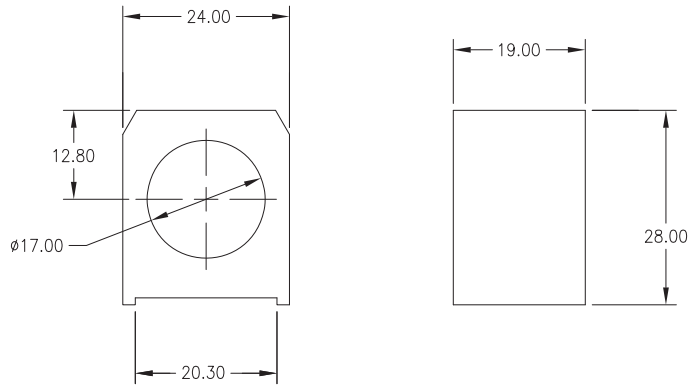
Description	For use on:	Catalog number	List price
Mounting feet Screw	OT200	OEZKL1 FPMH3.5X12X-TX15	
	OS200/400, OT400/600	OEZKL2 FPMH5X14X-TORX	
Mounting feet	OT800	OZXE14	



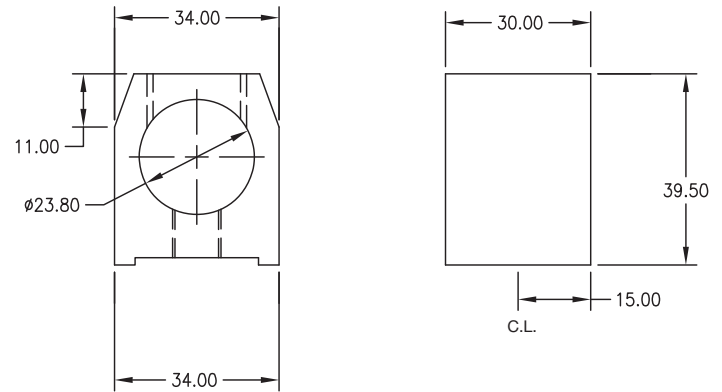
## Approximate dimensions Terminal lugs



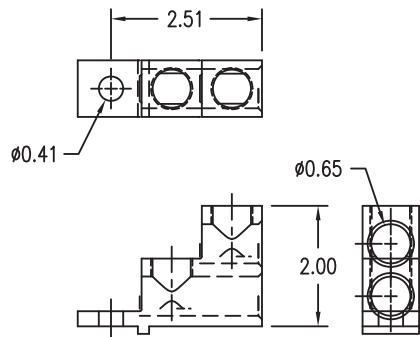
**OZXA-200** — for use with 200A switches



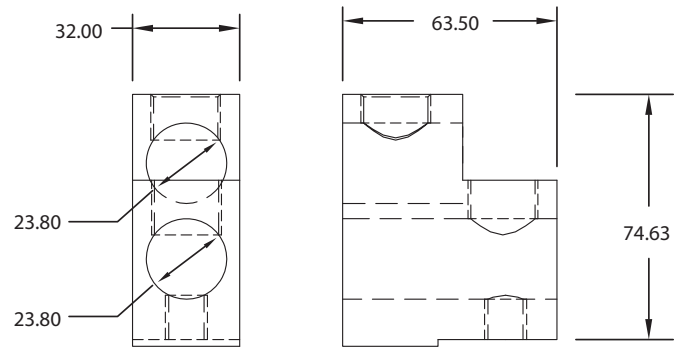
**OZXA-400** — for use with 400A switches



**OZXA-402** — for use with 400A switches



**OZXA-800** — for use with 600A switches



**OZXA-1200** — for use with 800A and 1200A switches

