



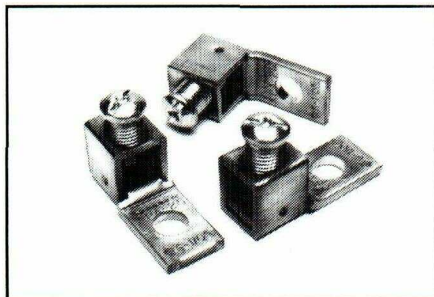
TYPE KPA-UP,-TP

SCRULUG®

FOR COPPER CABLE

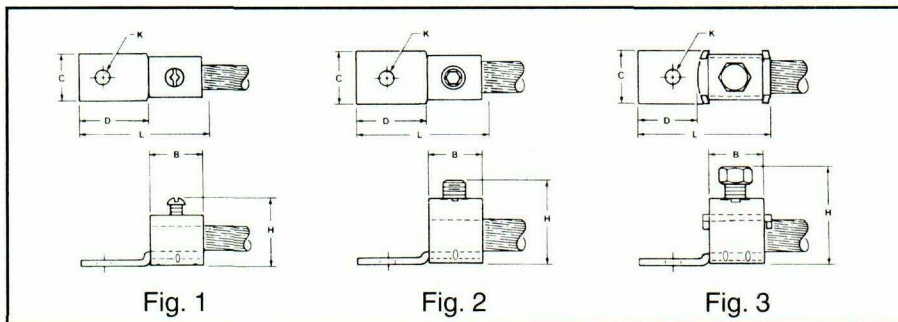
A-12

High copper alloy terminal for joining a wide range of cable to equipment pads or terminal blocks. Plain copper finish.



Features and Benefits

- One piece design.
 - ◊ Superior torque and pull out performance.
- Convenient range taking design.
 - ◊ Reduces catalog numbers. One catalog number accomodates several conductor sizes.
- High conductivity copper alloy.
 - ◊ Long lasting, reliable contact.
- Compact design.
 - ◊ Easy to use.
- Slot Robertson screw, hex head, hex socket bolt.
 - ◊ No special installation tools required. Eliminates over-torquing/potential conductor damage.



CATALOG NUMBER	WIRE RANGE	FIG. NO.	C	D	H	K	STUD HOLE SIZE	L	N	T	HARDWARE	RECOMMENDED TIGHTENING TORQUE IN. LBS.
KPA8CUP	14 SOL 6 STR.	1	0.38	0.51	0.81	0.20	#10	1.01	0.24	0.07	1/4 Dia. Slot Robertson	35 IN. LBS.
KPA4CUP	14 SOL 4 STR.		0.50	0.71	1.00	0.28	1/4	1.28	0.33	0.07	5/16 Dia. Slot Robertson	45 IN. LBS.
KPA25UP	6 STR 1/0 STR.		0.62	0.73	1.37	0.33	5/16	1.54	0.45	0.12	3/8 Dia. Slot Robertson	50 IN. LBS.
KPA28UP	6 STR 4/0 STR.	2	1.00	1.06	1.55	0.41	3/8	2.05	0.57	0.12	9/16 Dia. Hex Socket	250 IN. LBS
KPA34UP	2/0 STR 500 kcmil	3	1.50	1.65	2.64	0.53	1/2	3.34	0.88	0.18	5/8 Dia. Hex Head	375 IN. LBS.

Note: For tin plating drop "-UP" suffix and add "-TP" suffix. Example: KPA4CTP.
For use in grounding applications with a green screw - contact Factory. Listed for grounding per UL467.