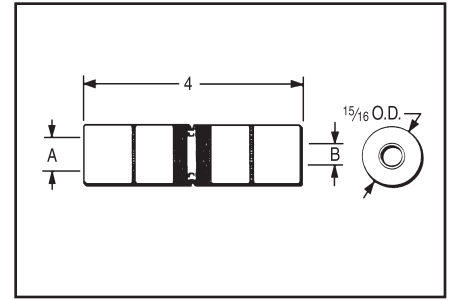
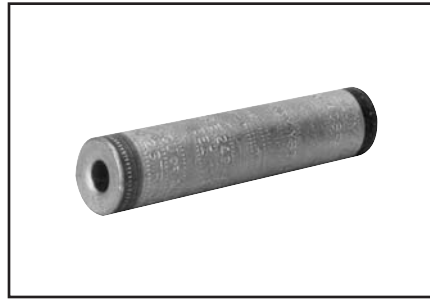


TYPE YSD

.840" LINKIT™

Service Entrance Sleeve for Combinations of Copper, Aluminum, ACSR, 6201, 5005 and Compressed.



Aluminum compression sleeve with solid center barrier. Designed for commercial and heavy residential services. Installed with standard tooling. Pre-filled with PENETROX™ joint compound, and capped.

RUS Accepted

CATALOG NUMBER	SIDE A			SIDE B			DIE INDEX	TOOLS, DIE SET CATALOG NUMBER, & (CRIMPS PER END)
	ACSR, 6201, 5005	ALUMINUM & COPPER	COLOR CODE	ACSR, 6201, 5005	ALUMINUM & COPPER	COLOR CODE		
YSD25R25R	1/0	1/0 Str. 2/0 AL Compt	Yellow	1/0	1/0 2/0 AL Compt	Yellow	EEI IIA 249 840	HYTOOL™ TOOL DIE (CRIMPS PER END) MD6, WK-840 (7) MD7 W-249 (4) OUR840 X840 (7) X249 (8)
YSD26R2W	2/0	2/0 Str. 3/0 AL Compt	Gray	4	3, 4 Str. 2 Sol. #2 AL Compt	Orange		
YSD26R2R				2	2 Str. 1 Str. 1/0 AL Compt	Red		
YSD26R25R				1/0	1/0 Str. 2/0 AL Compt	Yellow		
YSD26R26R				2/0	2/0 Str. 3/0 AL Compt	Gray		
YSD27R2W				3/0	3/0 Str. 4/0 AL Compt	Black		
YSD27R2R	2	2 Str. 1 Str. 1/0 AL Compt	Red					
YSD27R25R	1/0	1/0 Str. 2/0 AL Compt	Yellow					
YSD27R26R	2/0	2/0 Str. 3/0 AL Compt	Gray					
YSD27R27R	3/0	3/0 Str. 4/0 AL Compt	Black					
YSD28R2W	4/0	4/0 Str. 300 AL Compt	Pink	4	3, 4 Str. 2 Sol. #2 AL Compt	Orange		
YSD28R2R				2	2 Str. 1 Str. 1/0 AL Compt	Red		
YSD28R25R				1/0	1/0 Str. 2/0 AL Compt	Yellow		
YSD28R26R				2/0	2/0 Str. 3/0 AL Compt	Gray		
YSD28R27R				3/0	3/0 Str. 4/0 AL Compt	Black		
YSD28R28R				4/0	4/0 Str. 300 AL Compt	Pink		

*Multiple crimp die set, makes more than one crimp per tool compression. Figure indicates number of compressions.