

TYPE KLU

SCRULUG™

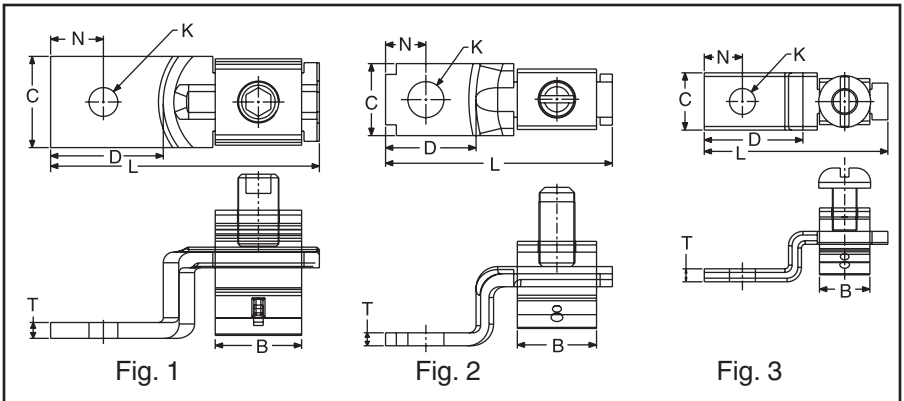
FOR COPPER CABLE -
OFFSET TONGUE -
NON-PLATED

High copper alloy terminal with offset tongue for joining a wide range of cable to equipment pads or bar. Easy to install with screwdriver or wrench. Connector is reusable. Plain copper finish.



Features and Benefits

- Convenient range-taking design.
 - ◇ Reduces catalog numbers.
 - One conductor accommodates several conductor sizes.
- High conductivity copper alloy.
 - ◇ Long lasting reliable contact.
- Compact design.
 - ◇ Easy to use. Reduces labor time.
- Slot Robertson screw, hex head/hex socket bolt.
 - ◇ No special installation tools required.
 - Eliminates over-torquing/potential conductor damage.



| ① CATALOG NUMBER | CONDUCTOR | FIG. NO. | B (MM/IN) | C (MM/IN) | K (MM/IN) | L (MM/IN) | N (MM/IN) | T (MM/IN) | RECOMMENDED TIGHTENING TORQUE IN LBS. | HARDWARE | STUD HOLE SIZE | QUANTITY/PACKAGE | STRIP LENGTH (IN.) |
|---------------------|-------------------------------|----------|-----------|-----------|-----------|-----------|-----------|-----------|---------------------------------------|--|----------------|------------------|--------------------|
| KLU25 | 14 Sol. 1.63 (0.64) Dia. to | 3 | 6.4 | 8.0 | 3.6 | 26.0 | 6.3 | 1.9 | 20 | No. 8 - 32 Slotted Round Machine Screw | #6 | 100 | 7/16 |
| KLU25TP | 10 Sol. 2.60 (1.02) Dia. CU | | .26 | .31 | .14 | 1.02 | .21 | .07 | | | | | |
| KLU35 | 14 Sol. 1.63 (.0641) Dia. to | 2 | 8.4 | 10.0 | 6.0 | 31.6 | 5.6 | 1.8 | 45 | 1/4 UNF Slotted Set Screw | #10 | 100 | 5/8 |
| KLU35TP | 6 Str. 4.67 (.184) Dia. CU | | .33 | .39 | .20 | 1.24 | .22 | .07 | | | | | |
| KLU70 | 8 Sol. 3.28 (.129) Dia. to | 2 | 11.8 | 12.0 | 6.7 | 39.6 | 6.4 | 2.1 | 50 | 5/16 UNF Slotted Set Screw | 1/4 | 100 | 3/4 |
| KLU70TP | 2 Str. 7.42 (.292) Dia. CU | | .46 | .47 | .26 | 1.56 | .25 | .08 | | | | | |
| KLU125 | 2 Str. 7.42 (.292) Dia. to | 1 | 16.9 | 16.9 | 6.5 | 50.5 | 10.8 | 2.7 | 50 | 3/8 UNF Slotted Set Screw | 1/4 | 25 | 15/16 |
| KLU125TP | 1/0 Str. 9.44 (.372) Dia. CU | | .63 | .63 | .26 | 1.99 | .43 | .11 | | | | | |
| KLU175 | 4 Str. 5.89 (.232) Dia. to | 1 | 18.0 | 19.0 | 10.0 | 66.0 | 11.0 | 4.0 | 124 | 3/8 UNF Socket Set Screw | 3/8 | 12 | 1 |
| KLU175TP | 3/0 Str. 11.94 (.470) Dia. CU | | .71 | .75 | .39 | 2.20 | .43 | .16 | | | | | |
| KLU225 | 2 Str. 7.42 (.292) Dia. to | 1 | 19.6 | 26.2 | 8.5 | 65.0 | 13.0 | 3.1 | 204 | 7/16 UNF Socket Set Screw | 5/16 | 12 | 1-5/16 |
| KLU225TP | 4/0 Str. 13.4 (.528) Dia. CU | | .77 | .99 | .33 | 2.56 | .51 | .12 | | | | | |
| KLU300 | 1/0 Str. 9.44 (.372) Dia. to | 2 | 25.2 | 26.2 | 10.0 | 72.0 | 13.1 | 3.1 | 325 | 5/8 UNF Slotted Set Screw | 3/8 | 6 | 1-5/8 |
| KLU300TP | 350 MCM 17.30 (.681) Dia. CU | | 1.0 | .99 | .39 | 2.83 | .52 | .12 | | | | | |
| KLU400 | 1/0 Str. 9.44 (.372) Dia. to | 2 | 29.6 | 38.0 | 10.0 | 104.0 | 23.0 | 4.5 | 375 | 5/8 UNF Slotted Set Screw | 3/8 | 3 | 1-5/32 |
| KLU400TP | 500 MCM 207 (.813) Dia CU | | 1.16 | 1.60 | .39 | 4.09 | .91 | .18 | | | | | |

NOTES:

① Suffix "-TP" on catalog number denotes tin plate (example: KLU400TP).

2 Material: Copper alloy.