

Relay

Contact Ratings

10 Amps @ 30VDC, 120/240VAC
 General Purpose
 7 Amps @ 30VDC, 120/240VAC
 Inductive (CosØ=0.3)
 1/3HP @ 240VAC Motor
 1/6HP @ 120VAC Motor

Specifications

Pick-Up Voltage: 80% of Rated Voltage
 Drop-Out Voltage:
 30% of rated AC Voltage
 10% of rated DC Voltage
 Max. Voltage: 110% of rated Voltage
 Operating Time: ≤25 milliseconds
 Coil Power:
 ≤2VA 60Hz
 ≤1.5W DC
 Temperature Rating: -30°C to 70°C
 Contact Material:
 Silver Cadmium Oxide (AgCdO)
 Contact Resistance:
 ≤0.050Ohms (before use)
 Minimum Operating Current:
 30mA@24VDC
 Life: Mechanical:
 ≥50,000,000 Operations
 Electrical:
 ≥500,000 Operations

Ordering Information

RH 2B - U AC120V

Idec Model
RH

Contact Form
 1 - SPDT
 2 - DPDT
 3 - 3PDT
 4 - 4PDT

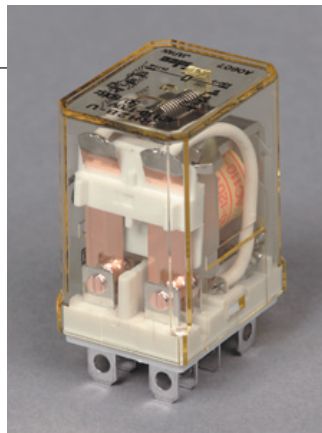
Termination
B - Blade
V2 - PCB

Coil Voltage

AC6V - 6VAC
 AC12V - 12VAC
 AC24V - 24VAC
AC120V - 120VAC
 AC240V - 240VAC
 DC6V - 6VDC
 DC12V - 12VDC
 DC24V - 24VDC
 DC48V - 48VDC
 DC110V - 110VDC

Options

L - Light Indicator - *Not UL on SPDT*
 C - Check Button - *Not Available on SPDT*
 LC - Indicator Light & Check Button
 - Not Available on SPDT
 T - Top Bracket

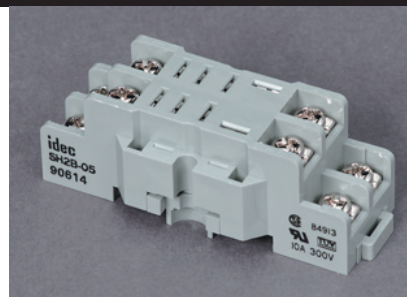
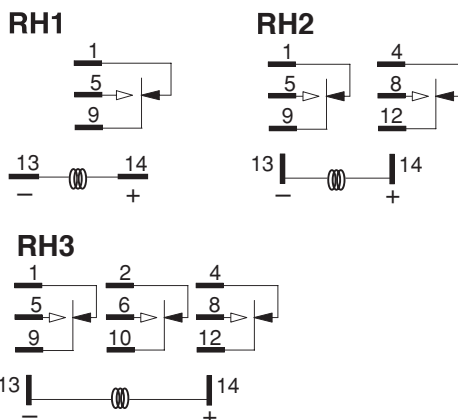


Socket

Specifications

Current Rating: 10 Amps
 Voltage Rating: 300VAC
 Mounting: DIN or Surface

Connections



Ordering Information

SH 2B - 05

Idec Model
SH

Contact Form
 1 - SPDT
 2 - DPDT
 3 - 3PDT
 4 - 4PDT

Termination
B - Blade

Termination
05 - Stacked
05C - Finger-safe, Stacked