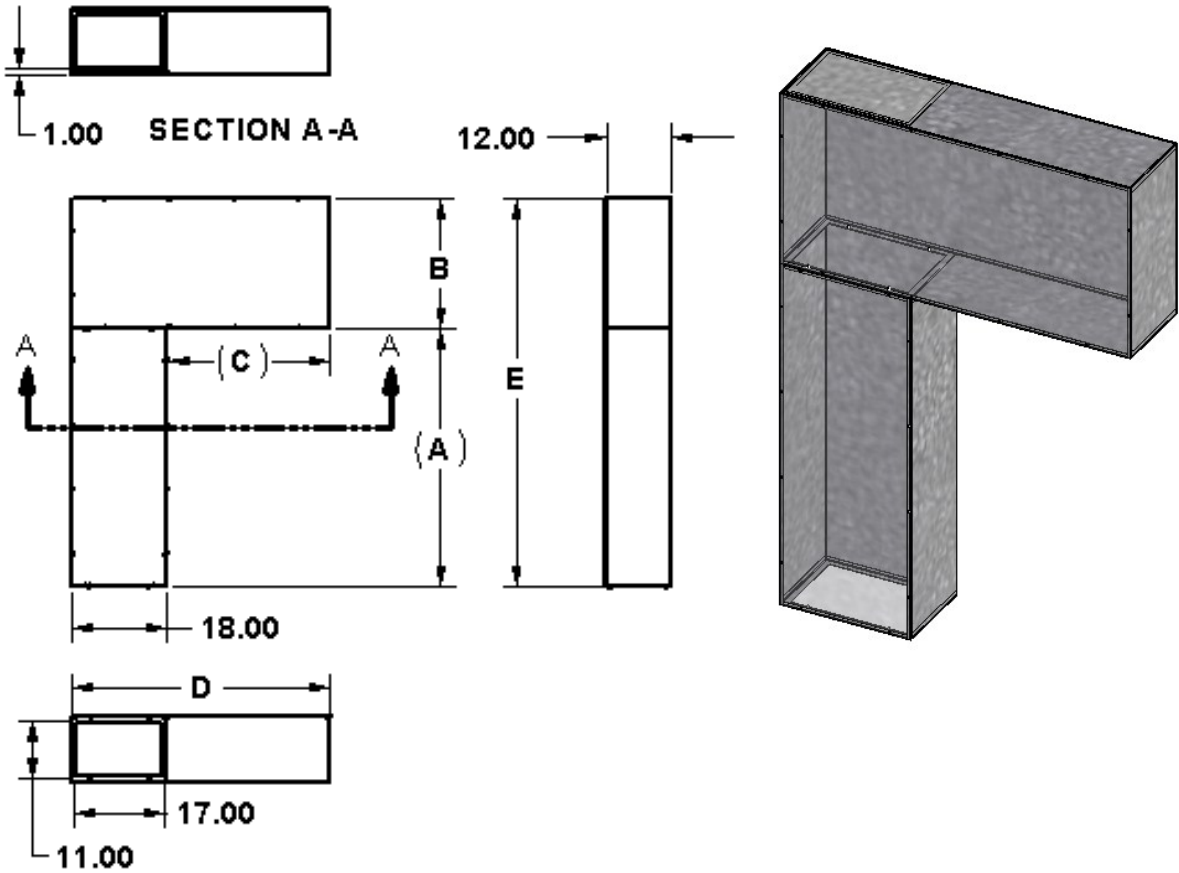


# CSA 1 BC HYDRO "L" BOXES

The BC Hydro "L" boxes are used as pull boxes. Our two piece design has a removable top cover plate, which eliminates the confusion of specifying left or right configurations. Simply remove the cover plate, flip the box, bolt together and replace

the cover over the unused hole. The boxes, manufactured from 14 Ga galvanized steel come with open bottom. Bottom entry plate available upon request. Plastic edging is supplied to protect cables. C.S.A. Certified



Cat No:	SWITCH SIZE	A	B	C	D	E
DL-G-200	200 AMP	48	24	30	48	72
DL-G-400	400 AMP	62	24	30	48	86
DL-G-600	600-800 AMP	62	30	36	54	92



604-540-0011

Fax: 604-540-0033 Toll Free: 1-888-222-CODE

sales@codeelectric.com