

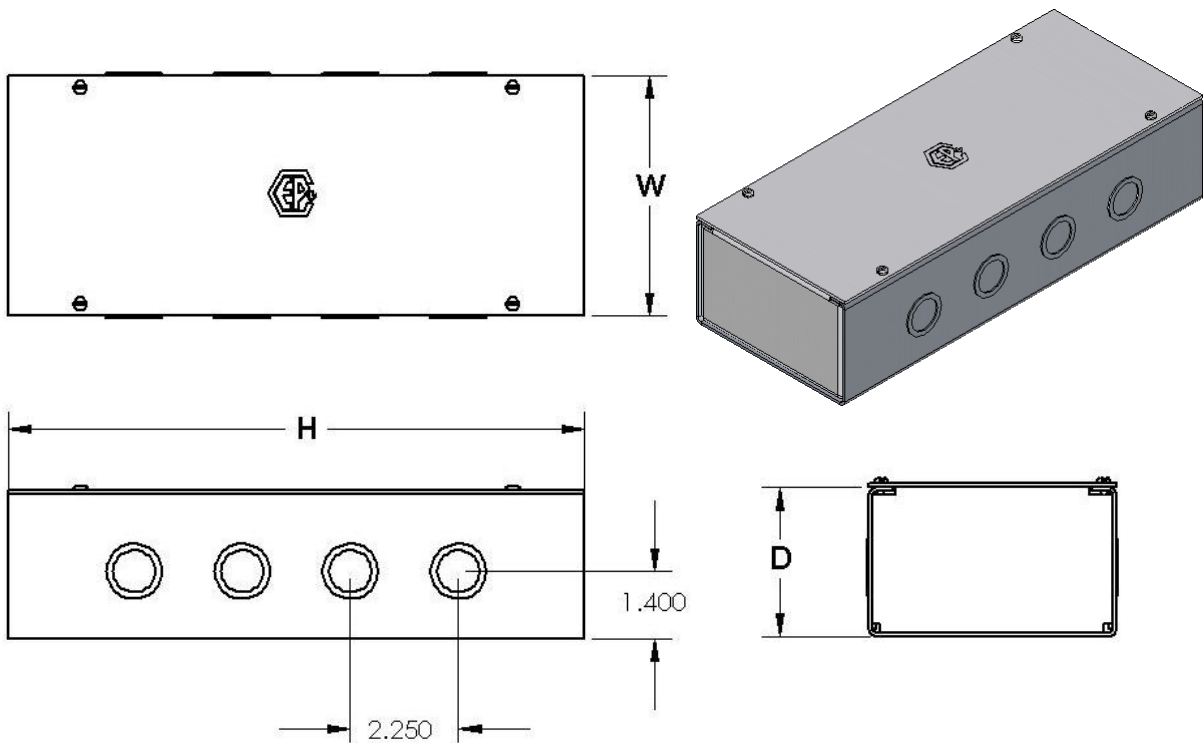
# CSA 1 WIREWAYS

Wireways are used as junction or pull boxes and are suitable for surface mounting with a screw cover. Boxes and covers are manufactured from 12 Ga or 10 Ga aluminum.

The wire ways are complete with screw cover.

Options include: concentric knockouts or no knockouts.

C.S.A. Certified / UL Listed



<b>Cat No:</b>	<b>H</b>	<b>W</b>	<b>D</b>	<b>LBS.</b>
D-A-120503	12	5	3	2.0
D-A-180503	18	5	3	3.0
D-A-245003	24	5	3	4.0
D-A-360503	36	5	3	6.0
D-A-480503	48	5	3	7.0
D-A-600503	60	5	3	9.0
D-A-720503	72	5	3	10.0