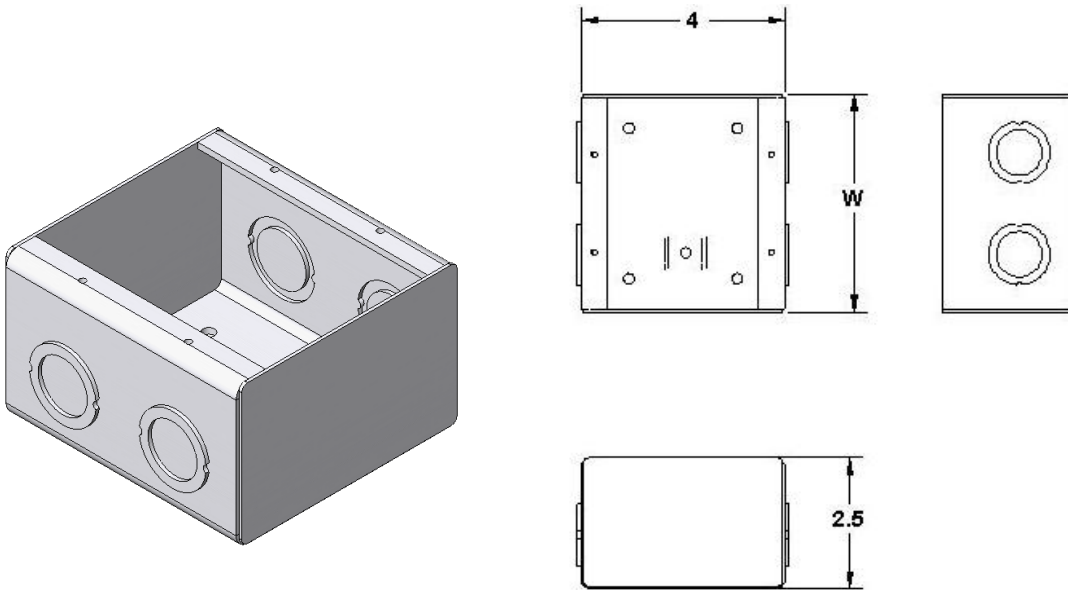


# CSA 1 GANG BOXES

## GB Series

The Gang Boxes accommodate wiring device and provides opening to splice, tap, or pull conductors. They provide access to conductors for maintenance and future system changes. The enclosures are manufactured from 10 gauge aluminum and have solid welded seams.

They are provided with 1/2"-3/4" knockouts and grounding provision. Custom sizes and barriers are provided upon request. C.S.A. approved. (File # LR 44369-1)



<u>Cat. No.</u>	<u>No. of Gangs</u>	<u>w</u>	<u>LBS.</u>
GB-A-02	2	3 15/16	1.0
GB-A-03	3	5 3/4	5.0
GB-A-04	4	7 9/16	1.0
GB-A-05	5	9 3/8	1.0
GB-A-06	6	11 3/16	2.0
GB-A-07	7	13	2.0
GB-A-08	8	14 13/16	2.0
GB-A-09	9	16 5/8	2.0
GB-A-10	10	18 7/16	2.5