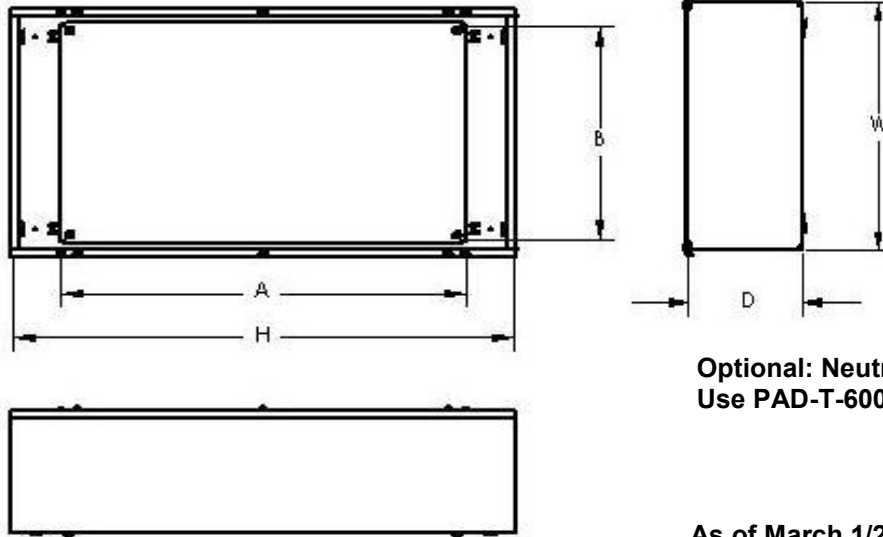


CSA 1 CURRENT TRANSFORMER CABINETS

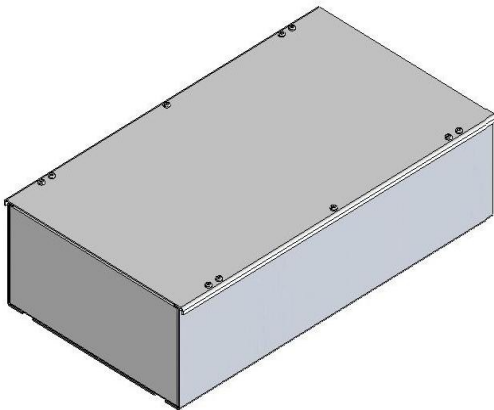
CT cabinets are used with instrument rated meters, to meter single-phase services greater than 400 amps (320 amps continuous), and three-phase services greater than 200 amps. Boxes are manufactured from 10 Ga aluminum, or

14-16 Ga pregalvanized steel. The enclosures are complete with screw cover, back panel, and sealing screws. Four internal mounting holes and grounding provisions are included.
C.S.A. Certified / UL Listed



Optional: Neutral PAD
 Use PAD-T-600

As of March 1/2013



<u>Cat No:</u>	<u>Single Phase service</u>	<u>Three Phase service</u>
CT-A/G-301608	Up to 400 Amps	Up to 400 Amps & below 300 Volts
CT-A/G-421816	—	Up to 400 Amps & above 300 Volts
	425 Amps and above	425 to 800 Amps
CT-A/G-423624	—	1000 Amps and above

<u>Cat No:</u>	<u>H</u>	<u>W</u>	<u>D</u>	<u>A = Back Panel Length</u>	<u>B = Back Panel Width</u>	<u>LBS. For STL</u>	<u>LBS. For Al</u>
CT-A/G-301608	30	16.5	8	23	14.5	47	24
CT-A/G-302010	30	20	10	23	17	61	29
CT-A/G-303010	30	30	10	23	27	85	41
CT-A/G-421809	42	18	9.5	36	16.5	75	36
CT-A/G-421816	42	18	16	36	16.5	91	44
CT-A/G-423624	42	36	24	36	34.5	206	115