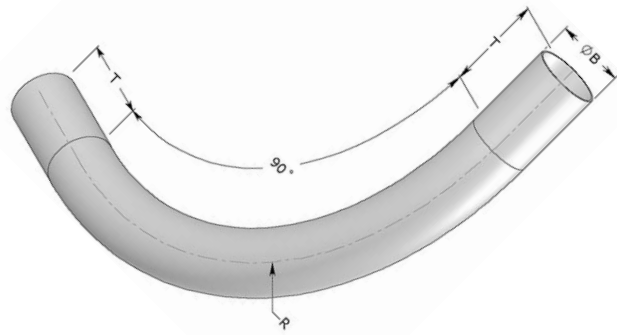




## IPS SW 90° ELBOW



## 36" RADIUS

Size	Symbol	ØB	R	T	ØB	R	T	
in	mm	No.	inches		millimeters			
¾	21	10-7530R36	1.050	36	6	26.7	914.4	152.4
1	27	10-1030R36	1.315	36	6	33.4	914.4	152.4
1¼	35	10-1230R36	1.660	36	6	42.2	914.4	152.4
1½	41	10-1530R36	1.900	36	6	48.3	914.4	152.4
2	53	10-2030R36	2.375	36	6	60.3	914.4	152.4
3	78	10-3030R36	3.500	36	6	88.9	914.4	152.4
4	103	10-4030R36	4.500	36	6	114.3	914.4	152.4
5	129	10-5030R36	5.563	36	6	141.3	914.4	152.4
6	155	10-6030R36	6.625	36	6	168.3	914.4	152.4

## 12" RADIUS

Size	Symbol	ØB	R	T	ØB	R	T	
in	mm	No.	inches		millimeters			
¾	21	10-7530R12	1.050	12	6	26.7	304.8	152.4
1	27	10-1030R12	1.315	12	6	33.4	304.8	152.4
1¼	35	10-1230R12	1.660	12	6	42.2	304.8	152.4
1½	41	10-1530R12	1.900	12	6	48.3	304.8	152.4

## 48" RADIUS

Size	Symbol	ØB	R	T	ØB	R	T	
in	mm	No.	inches		millimeters			
¾	21	10-7530R48	1.050	48	6	26.7	1219.2	152.4
1	27	10-1030R48	1.315	48	6	33.4	1219.2	152.4
1¼	35	10-1230R48	1.660	48	6	42.2	1219.2	152.4
1½	41	10-1530R48	1.900	48	6	48.3	1219.2	152.4
2	53	10-2030R48	2.375	48	6	60.3	1219.2	152.4
3	78	10-3030R48	3.500	48	6	88.9	1219.2	152.4
4	103	10-4030R48	4.500	48	6	114.3	1219.2	152.4
5	129	10-5030R48	5.563	48	6	141.3	1219.2	152.4
6	155	10-6030R48	6.625	48	6	168.3	1219.2	152.4

## 18" RADIUS

Size	Symbol	ØB	R	T	ØB	R	T	
in	mm	No.	inches		millimeters			
¾	21	10-7530R18	1.050	18	6	26.7	457.2	152.4
1	27	10-1030R18	1.315	18	6	33.4	457.2	152.4
1¼	35	10-1230R18	1.660	18	6	42.2	457.2	152.4
1½	41	10-1530R18	1.900	18	6	48.3	457.2	152.4
2	53	10-2030R18	2.375	18	6	60.3	457.2	152.4

## 60" RADIUS

Size	Symbol	ØB	R	T	ØB	R	T	
in	mm	No.	inches		millimeters			
¾	21	10-7530R60	1.050	60	6	26.7	1524.0	152.4
1	27	10-1030R60	1.315	60	6	33.4	1524.0	152.4
1¼	35	10-1230R60	1.660	60	6	42.2	1524.0	152.4
1½	41	10-1530R60	1.900	60	6	48.3	1524.0	152.4
2	53	10-2030R60	2.375	60	6	60.3	1524.0	152.4
3	78	10-3030R60	3.500	60	6	88.9	1524.0	152.4
4	103	10-4030R60	4.500	60	6	114.3	1524.0	152.4
5	129	10-5030R60	5.563	60	6	141.3	1524.0	152.4
6	155	10-6030R60	6.625	60	6	168.3	1524.0	152.4

## 24" RADIUS

Size	Symbol	ØB	R	T	ØB	R	T	
in	mm	No.	inches		millimeters			
¾	21	10-7530R24	1.050	24	6	26.7	609.6	152.4
1	27	10-1030R24	1.315	24	6	33.4	609.6	152.4
1¼	35	10-1230R24	1.660	24	6	42.2	609.6	152.4
1½	41	10-1530R24	1.900	24	6	48.3	609.6	152.4
2	53	10-2030R24	2.375	24	6	60.3	609.6	152.4
3	78	10-3030R24	3.500	24	6	88.9	609.6	152.4

## 72" RADIUS

Size	Symbol	ØB	R	T	ØB	R	T	
in	mm	No.	inches		millimeters			
2	53	10-2030R72	1.050	72	6	26.7	1828.8	152.4
3	78	10-3030R72	1.315	72	6	33.4	1828.8	152.4
4	103	10-4030R72	1.660	72	6	42.2	1828.8	152.4
5	129	10-5030R72	1.900	72	6	48.3	1828.8	152.4
6	155	10-6030R72	6.625	72	6	168.3	1828.8	152.4

## 108" RADIUS

Size	Symbol	ØB	R	T	ØB	R	T	
in	mm	No.	inches		millimeters			
8❖	203	10-8030R108	8.625	108	6	219.1	2743.2	152.4



❖ Not UL Listed, CSA Certified or NEMA compliant.

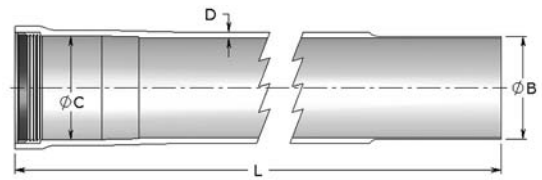
ABOVE GROUND



IPS  
SW

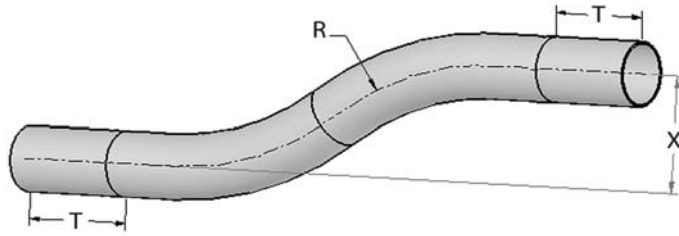
IPS SW RISERWAY

Size	Symbol	ØB	ØC	D	L	ØB	ØC	D	L	
in	mm	inches				millimeters				
2❖	53	10-2440	2.375	2.417	0.235	118	60.3	61.4	6.0	2997.2
3❖	78	10-3440	3.500	3.542	0.235	118	88.9	90.0	6.0	2997.2
4❖	103	10-4440	4.500	4.542	0.235	118	114.3	115.4	6.0	2997.2

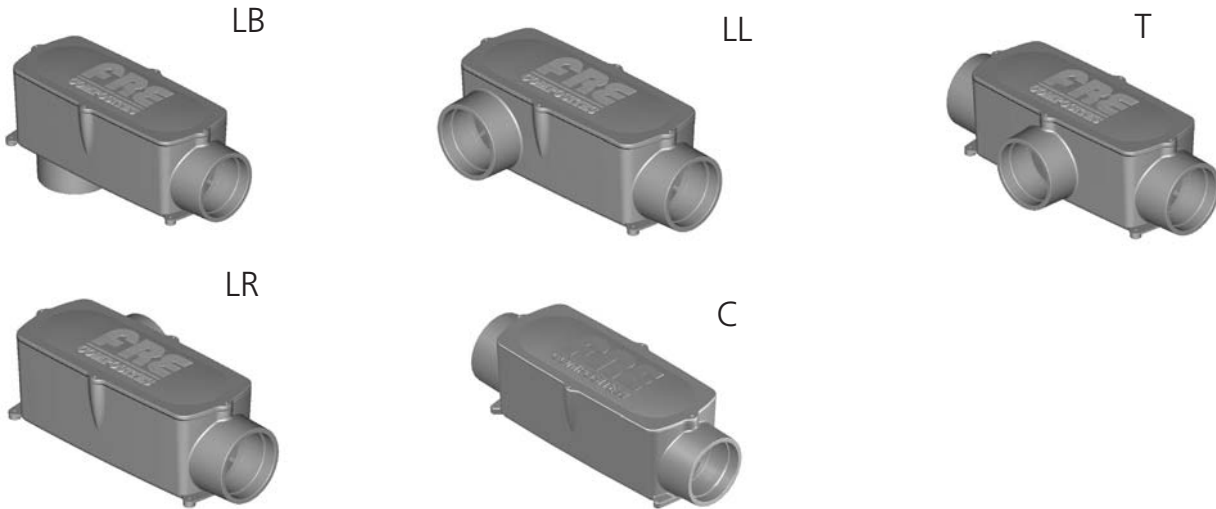


IPS SW OFFSET ELBOW

Size	Symbol
	No.
all	special



IPS SW CONDUIT BODIES



Size		Part number					Length	Width	Depth	Length	Width	Depth
in	mm	LB	LL	LR	T	C	inches			millimeters		
¾	21	10-7591	10-7592	10-7593	10-7594	10-7595	4.27	2.19	1.92	108	56	49
1	27	10-1091	10-1092	10-1093	10-1094	10-1095	5.19	2.44	2.22	132	62	56
1¼	35	10-1291	10-1292	10-1293	10-1294	10-1295	6.09	2.84	2.63	155	72	67
1½	41	10-1591	10-1592	10-1593	10-1594	10-1595	7.09	3.34	2.92	180	85	74
2	53	10-2091	10-2092	10-2093	10-2094	10-2095	8.75	3.88	3.34	222	99	85
3	78	10-3091	10-3092	10-3093	10-3094	10-3095	13.19	5.50	4.75	335	140	121
4*	103	10-4091	10-4092	10-4093	10-4094	10-4095	16.38	7.00	6.25	416	178	159

\* Consult factory for availability

❖ Not UL Listed, CSA Certified or NEMA compliant.

