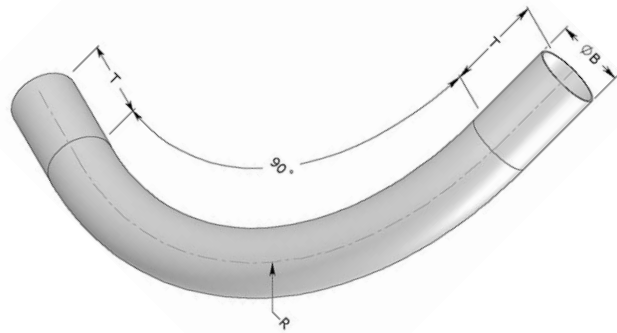




## IPS SW 90° ELBOW



## 36" RADIUS

Size	Symbol	ØB	R	T	ØB	R	T	
in	mm	No.	inches		millimeters			
¾	21	10-7530R36	1.050	36	6	26.7	914.4	152.4
1	27	10-1030R36	1.315	36	6	33.4	914.4	152.4
1¼	35	10-1230R36	1.660	36	6	42.2	914.4	152.4
1½	41	10-1530R36	1.900	36	6	48.3	914.4	152.4
2	53	10-2030R36	2.375	36	6	60.3	914.4	152.4
3	78	10-3030R36	3.500	36	6	88.9	914.4	152.4
4	103	10-4030R36	4.500	36	6	114.3	914.4	152.4
5	129	10-5030R36	5.563	36	6	141.3	914.4	152.4
6	155	10-6030R36	6.625	36	6	168.3	914.4	152.4

## 12" RADIUS

Size	Symbol	ØB	R	T	ØB	R	T	
in	mm	No.	inches		millimeters			
¾	21	10-7530R12	1.050	12	6	26.7	304.8	152.4
1	27	10-1030R12	1.315	12	6	33.4	304.8	152.4
1¼	35	10-1230R12	1.660	12	6	42.2	304.8	152.4
1½	41	10-1530R12	1.900	12	6	48.3	304.8	152.4

## 48" RADIUS

Size	Symbol	ØB	R	T	ØB	R	T	
in	mm	No.	inches		millimeters			
¾	21	10-7530R48	1.050	48	6	26.7	1219.2	152.4
1	27	10-1030R48	1.315	48	6	33.4	1219.2	152.4
1¼	35	10-1230R48	1.660	48	6	42.2	1219.2	152.4
1½	41	10-1530R48	1.900	48	6	48.3	1219.2	152.4
2	53	10-2030R48	2.375	48	6	60.3	1219.2	152.4
3	78	10-3030R48	3.500	48	6	88.9	1219.2	152.4
4	103	10-4030R48	4.500	48	6	114.3	1219.2	152.4
5	129	10-5030R48	5.563	48	6	141.3	1219.2	152.4
6	155	10-6030R48	6.625	48	6	168.3	1219.2	152.4

## 18" RADIUS

Size	Symbol	ØB	R	T	ØB	R	T	
in	mm	No.	inches		millimeters			
¾	21	10-7530R18	1.050	18	6	26.7	457.2	152.4
1	27	10-1030R18	1.315	18	6	33.4	457.2	152.4
1¼	35	10-1230R18	1.660	18	6	42.2	457.2	152.4
1½	41	10-1530R18	1.900	18	6	48.3	457.2	152.4
2	53	10-2030R18	2.375	18	6	60.3	457.2	152.4

## 60" RADIUS

Size	Symbol	ØB	R	T	ØB	R	T	
in	mm	No.	inches		millimeters			
¾	21	10-7530R60	1.050	60	6	26.7	1524.0	152.4
1	27	10-1030R60	1.315	60	6	33.4	1524.0	152.4
1¼	35	10-1230R60	1.660	60	6	42.2	1524.0	152.4
1½	41	10-1530R60	1.900	60	6	48.3	1524.0	152.4
2	53	10-2030R60	2.375	60	6	60.3	1524.0	152.4
3	78	10-3030R60	3.500	60	6	88.9	1524.0	152.4
4	103	10-4030R60	4.500	60	6	114.3	1524.0	152.4
5	129	10-5030R60	5.563	60	6	141.3	1524.0	152.4
6	155	10-6030R60	6.625	60	6	168.3	1524.0	152.4

## 24" RADIUS

Size	Symbol	ØB	R	T	ØB	R	T	
in	mm	No.	inches		millimeters			
¾	21	10-7530R24	1.050	24	6	26.7	609.6	152.4
1	27	10-1030R24	1.315	24	6	33.4	609.6	152.4
1¼	35	10-1230R24	1.660	24	6	42.2	609.6	152.4
1½	41	10-1530R24	1.900	24	6	48.3	609.6	152.4
2	53	10-2030R24	2.375	24	6	60.3	609.6	152.4
3	78	10-3030R24	3.500	24	6	88.9	609.6	152.4

## 72" RADIUS

Size	Symbol	ØB	R	T	ØB	R	T	
in	mm	No.	inches		millimeters			
2	53	10-2030R72	1.050	72	6	26.7	1828.8	152.4
3	78	10-3030R72	1.315	72	6	33.4	1828.8	152.4
4	103	10-4030R72	1.660	72	6	42.2	1828.8	152.4
5	129	10-5030R72	1.900	72	6	48.3	1828.8	152.4
6	155	10-6030R72	6.625	72	6	168.3	1828.8	152.4

## 108" RADIUS

Size	Symbol	ØB	R	T	ØB	R	T	
in	mm	No.	inches		millimeters			
8❖	203	10-8030R108	8.625	108	6	219.1	2743.2	152.4



❖ Not UL Listed, CSA Certified or NEMA compliant.

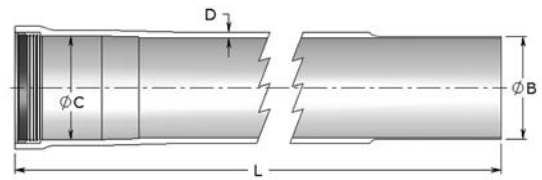
ABOVE GROUND



IPS SW

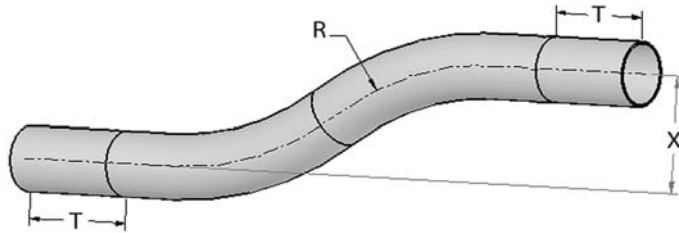
**IPS SW RISERWAY**

Size	Symbol	ØB	ØC	D	L	ØB	ØC	D	L	
in	mm	inches				millimeters				
2❖	53	10-2440	2.375	2.417	0.235	118	60.3	61.4	6.0	2997.2
3❖	78	10-3440	3.500	3.542	0.235	118	88.9	90.0	6.0	2997.2
4❖	103	10-4440	4.500	4.542	0.235	118	114.3	115.4	6.0	2997.2

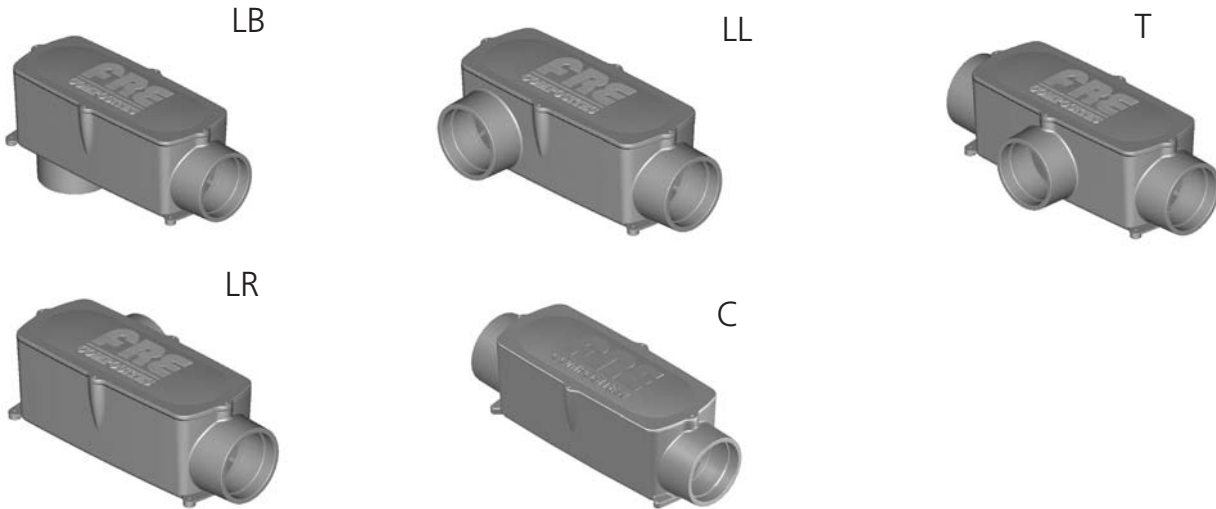


**IPS SW OFFSET ELBOW**

Size	Symbol
	No.
all	special



**IPS SW CONDUIT BODIES**



Size	Part number	Length			Width			Depth		
		in	mm	inches	inches	inches	mm	mm	mm	
¾	10-7591 10-7592 10-7593 10-7594 10-7595	4.27	108	2.19	56	1.92	49			
1	10-1091 10-1092 10-1093 10-1094 10-1095	5.19	132	2.44	62	2.22	56			
1¼	10-1291 10-1292 10-1293 10-1294 10-1295	6.09	155	2.84	72	2.63	67			
1½	10-1591 10-1592 10-1593 10-1594 10-1595	7.09	180	3.34	85	2.92	74			
2	10-2091 10-2092 10-2093 10-2094 10-2095	8.75	222	3.88	99	3.34	85			
3	10-3091 10-3092 10-3093 10-3094 10-3095	13.19	335	5.50	140	4.75	121			
4*	10-4091 10-4092 10-4093 10-4094 10-4095	16.38	416	7.00	178	6.25	159			

\* Consult factory for availability

❖ Not UL Listed, CSA Certified or NEMA compliant.

