



BURNDY Catalog Number
UPC Number
Description
Status

YCUT129ACSR
7818103757233
1.29IN MANUAL HYD CUTTER
Active

Web Use
BURNDY Product Line

Approvals / Certifications

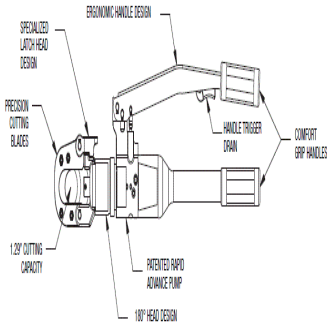
CULUS N
ROHS Compatible Exempt

General

Product Description

Hydraulic Hand Operated Cutter,
22.4 in L, 2.5 in W, Height 6.6 in

Documentation



For further technical assistance, please contact us

BURNDY LLC - USA

47 East Industrial Park Drive
Manchester NH 03109

BURNDY Technical Services

47 East Industrial Park Drive
Manchester NH 03109

Hours: 8:00 AM - 5:00 PM
Monday - Friday
Phone: 800-346-4175