

Area lighting

Hazlux® M3 Hazlite™

Assembly guide

Complete luminaire consists of:

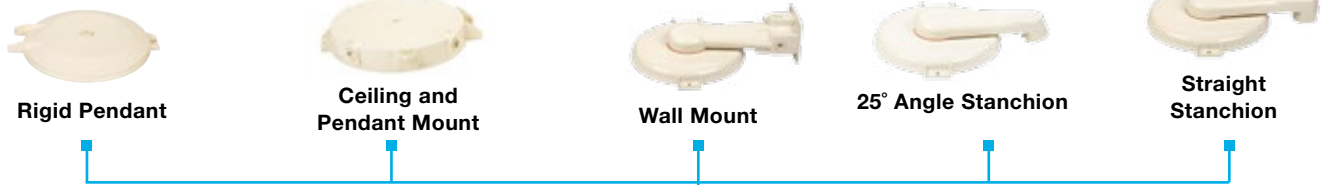
- A mounting style
- Ballast Tank
- Globe or Refractor
- Optional Guard and/or Reflector

Type:	_____
Catalog #:	_____
Notes:	_____

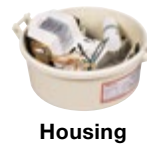


Hazlux® M3 Hazlite™ - Assembly Guide

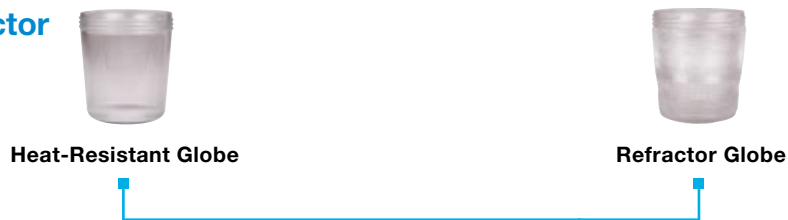
Mounting Style



Ballast Tank



Globe or Refractor



Guard



Reflectors*



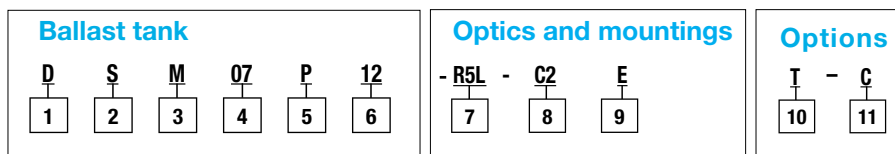
*Reflectors are sold separately

Type: _____
 Catalog #: _____
 Notes: _____

Catalog numbering system

UNIPAK™ =



- Ballast Tank +
- Optics & Mountings +
- Options (if necessary)



Ballast Tank		
1. Fixture Series	D	Hazlite® M3 Fixture
2. Lamp Type	S	High-Pressure Sodium
	H	Metal Halide
3. Lampholder	M	Medium-Base Lampholder
4. Lamp Wattage	Metal Halide Lamps	
	05	50W ED17
	High Pressure Sodium Lamps	
	03	35W BD17
	05	50W BD17
	07	70W BD17
5. Ballast Circuit	H	High Reactance
	P	Reactor Type
	12	120 Volt

Optics & Mountings		
7. Optical Assembly Options*	TG	Tempered Globe Only
	TGL	Tempered Globe and Polymeric Guard
	R1	Type I (Long and Narrow) Refractor Globe
	R3	Type III (Assymetric) Refractor Globe
	R5	Type V (Symetric) Refractor Globe
	R1L	R1 with Polymeric Guard
	R3L	R3 with Polymeric Guard
	R5L	R5 with Polymeric Guard
* For silicone coating, please add suffix "S" first before the digit (ex: STG)		
8. Mounting style	P2	3/4" Rigid Pendant
	P3	1" Rigid Pendant
	B2	3/4" Wall Mount
	B3	1" Wall Mount
	C2	3/4" Ceiling Mount
	C3	1" Ceiling Mount
	L4	1-1/4" Straight Stanchion
	L5	1-1/2" Straight Stanchion
	S4	1-1/4" 25° Angle Stanchion
	S5	1-1/2" 25° Angle Stanchion
9. UNIPAK™ Options	D	UNIPAK™ with Diffused Coated Lamp
	E	UNIPAK™ with Clear Lamp
	U	UNIPAK™ No Lamp

Options		
10. Special Options	T	HazCote® Black Custom Corrosion Coating on all Aluminum Parts (Consult Factory)
11. Certification	C	Canadian Market

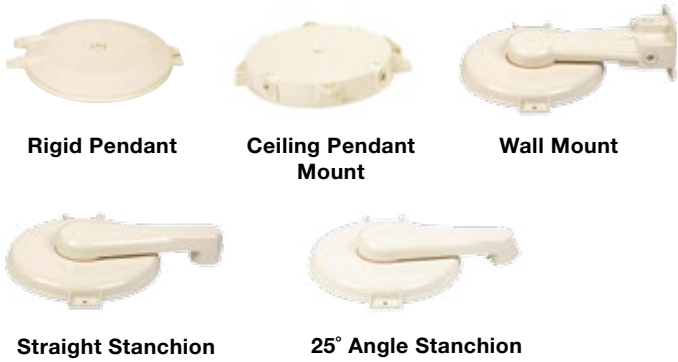
Certifications & Standards*	Approvals/Characteristics
Class I – Zone 2, Groups IIC, IIB, IIA – Division 2, Groups A, B, C and D Class II – Division 1 and 2, Groups E, F and G Class III – UL844 – CSA C22.2 No. 137	 
<small>* Classification may vary upon light source and wattage. For details, see Thermal Performance Chart on P.53.</small>	

Area lighting

Hazlux® M3 Hazlite™

Individual components (to be used with ballast housing)

Type: _____
Catalog #: _____
Notes: _____

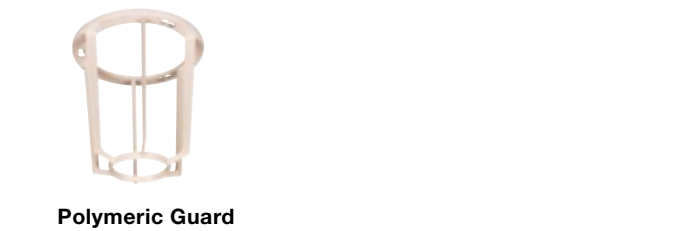


Mounting Options		
PART NO.	Description	Conduit Hub Size
VMP2	Rigid Pendant	3/4"
VMP3	Rigid Pendant	1"
VMC2	Ceiling Pendant Mount	3/4"
VMC3	Ceiling Pendant Mount	1"
VMB2	Wall Mount	3/4"
VMB3	Wall Mount	1"
VMS4	25° Angle Stanchion	1-1/4"
VMS5	25° Angle Stanchion	1-1/2"
VML4	Straight Stanchion	1-1/4"
VML5	Straight Stanchion	1-1/2"



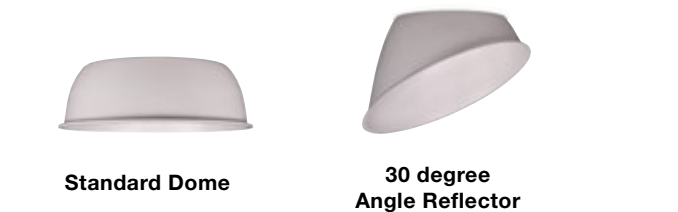
Globes or Refractors*	
PART NO.	Description
VGT15	Heat-Resistant Prismatic Glass Globe
VGL15R1	IES Type I Refractor Globe
VGL15R3	IES Type III Refractor Globe
VGL15R5	IES Type V Refractor Globe

* For silicone coating, please add "TS" to part no. (ex: VGT15TS)



Guards	
PART NO.	Description
VGU15P	Polymeric for Use with Glass Globes or Refractors

Optional components

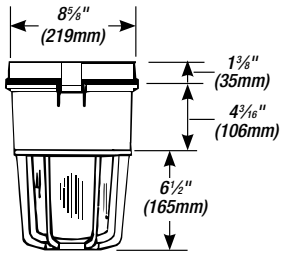


Reflectors	
PART NO.	Description
VR15P	Standard Dome, Fiberglass-Reinforced Polyester
VRA15P	30° Angle Reflector, Fiberglass-Reinforced Polyester

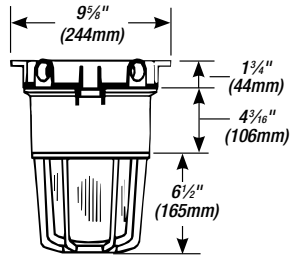
Note: Reflectors are shipped bulk unless specified

Type: _____
 Catalog #: _____
 Notes: _____

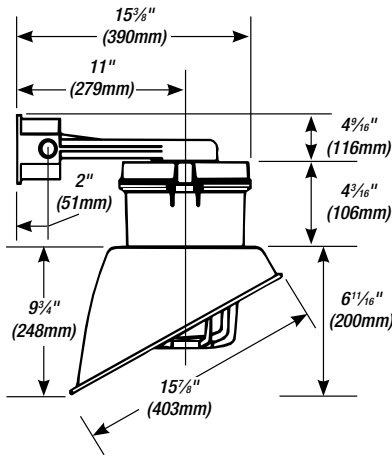
Dimensions Hazlite™ M3 fixtures with heat-resistant globe



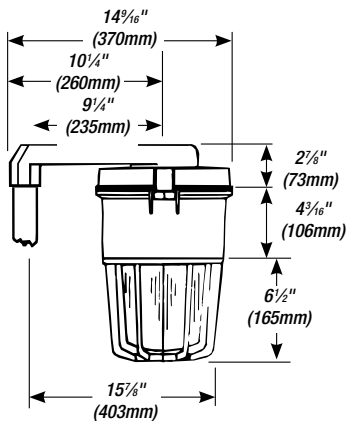
Rigid Pendant



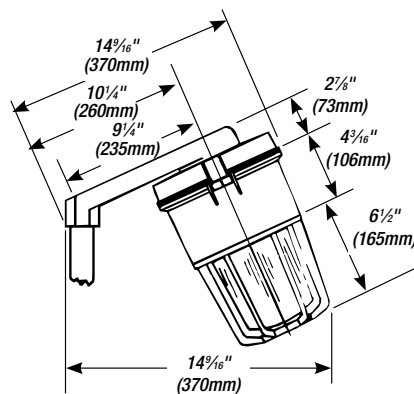
Ceiling Mount



Wall Mount



Straight Stanchion Mount



25° Angle Stanchion Mount

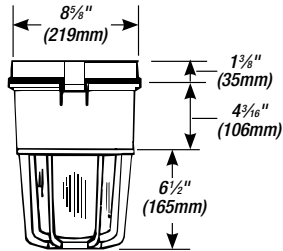
Photometry Hazlite™ M3 fixtures with heat-resistant globe

Ceiling Mount		Candlepower Curve
Reference Data		
Catalogue No.	DSM05P12-TG-P2-E & VR15P	
Lamp	50W HPS BD17	
Lamp Lumens	4000	
Input Watt	62	
Luminaire Lumens	2865	
Efficiency	72%	
Efficacy Rating (LER)	46.2	
Spacing Criterion (0-180)	1.38	
Spacing Criterion (90-270)	1.38	
Spacing Criterion (diagonal)	1.70	

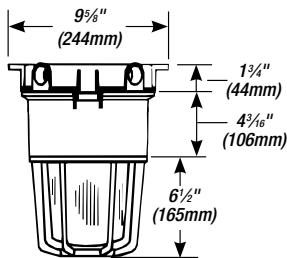
Area lighting

Hazlux® M3 Hazlite™

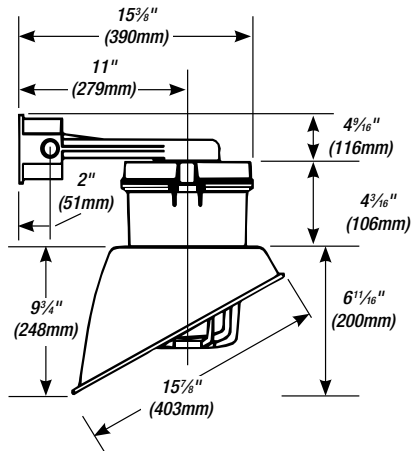
Dimensions Hazlite™ M3 fixtures with heat-resistant globe



Rigid Pendant



Ceiling Mount



Wall Mount

Type: _____
 Catalog #: _____
 Notes: _____

Photometry Hazlite™ M3 fixtures with heat-resistant globe

Ceiling Mount		Candlepower Curve
Reference Data		
Catalogue No.	DSM05P12-R1-P2-E	
Lamp	50W HPS BD17	
Lamp Lumens	4000	
Input Watt	62	
Luminaire Lumens	3340	
Efficiency	83%	
Efficacy Rating (LER)	53.9	
Spacing Criterion (0-180)	1.44	
Spacing Criterion (90-270)	3.60	
Spacing Criterion (diagonal)	2.32	

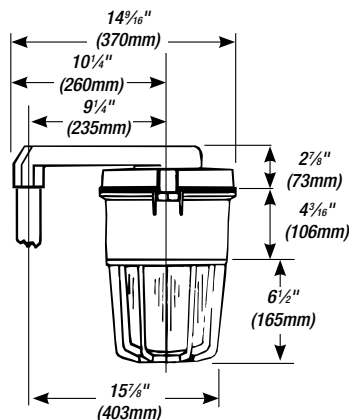
Ceiling Mount		Candlepower Curve
Reference Data		
Catalogue No.	DSM05P12-R3-P2-E	
Lamp	50W HPS BD17	
Lamp Lumens	4000	
Input Watt	62	
Luminaire Lumens	2979	
Efficiency	74%	
Efficacy Rating (LER)	48.1	
Spacing Criterion (0-180)	1.30	
Spacing Criterion (90-270)	1.70	
Spacing Criterion (diagonal)	2.40	

Photometry Hazlite™ M3 fixtures with heat-resistant globe

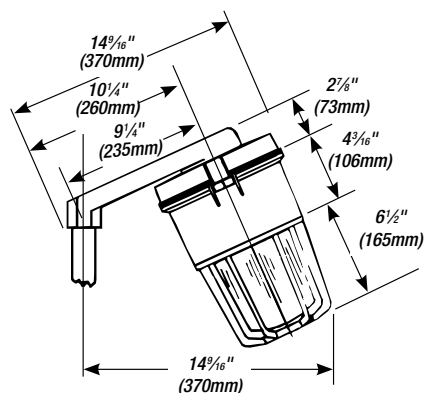
Ceiling Mount		Candlepower Curve
Reference Data		
Catalogue No.	DSM05P12-R5-P2-E	
Lamp	50W HPS BD17	
Lamp Lumens	4000	
Input Watt	62	
Luminaire Lumens	2935	
Efficiency	73%	
Efficacy Rating (LER)	47.3	
Spacing Criterion (0-180)	1.88	
Spacing Criterion (90-270)	1.88	
Spacing Criterion (diagonal)	2.84	

Type: _____
 Catalog #: _____
 Notes: _____

Dimensions Hazlite™ M3 fixtures with heat-resistant globe



Straight Stanchion



25° Angle Stanchion Mount

Hazlite™ M3 Thermal Data - This data includes Globe, Guard and Reflector

Lamp Type	Ambient Temperature	Class II & III Globes or TR-REFR. Div 2 Temp. Code	8" REFR. Groups	Supply Wire Groups	Suitable °C	Voltage
35 Watt	40°C	T3A	EFG	EFG	75°C	120V
HPS	55°C	T3A	EFG	EFG	75°C	120V
Type S76	65°C	T3	EFG	EFG	85°C	120V
50 Watt	40°C	T3	EFG	EFG	75°C	120V
HPS	55°C	T2D	EFG	EFG	85°C	120V
Type S68	65°C	T2D	EFG	EFG	90°C	120V
70 Watt	40°C	T2B	EFG	EFG	75°C	120V
HPS	55°C	T2B	EFG	EFG	85°C	120V
Type S62	65°C	T2B	EFG	EFG	90°C	120V
100 WATT HPS	40°C	T2A	EF	EFG	85°C	120V
Type S54	55°C	T2	EF	EFG	110°C	120V
150 WATT HPS Type S55	40°C	325°C	EF	EFG	110°C	120V
Metal Halide 70 Watt Type M98	40°C	T2A	EF	—	90°C	120V
Metal Halide 100 Watt Type M90	40°C	T2A	EF	—	90°C	120V